

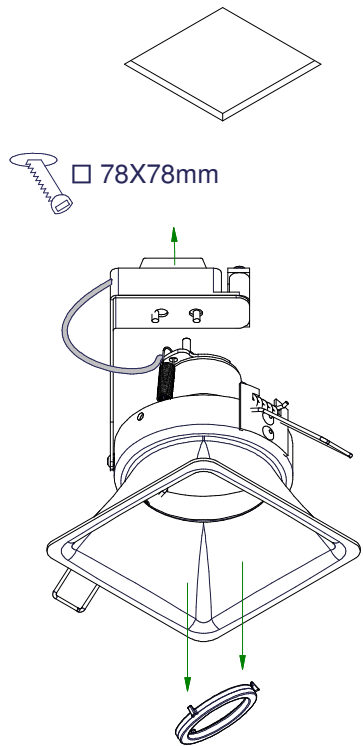
Lotis Square ES50 / LED

126100XX

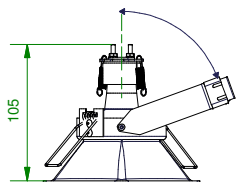
Lamptype : QPAR 16 max.50W

Fitting : Gu10

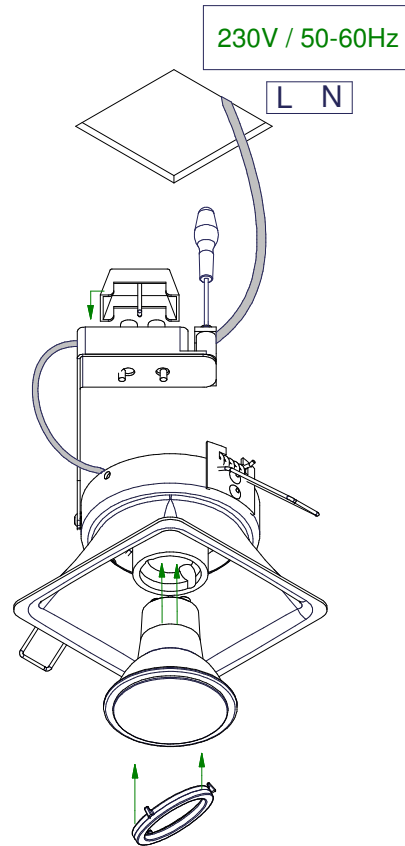
1



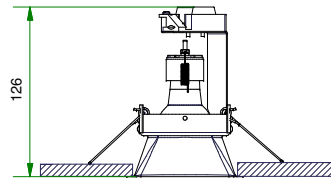
H=110



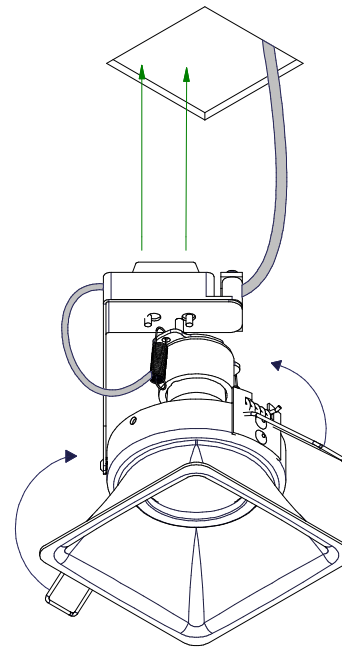
2



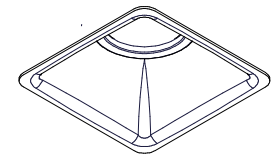
H=130



3



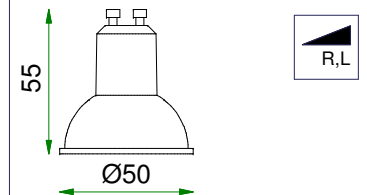
4



If halogen lamp:
max 50W



If retrofit LED lamp:
only suitable for short version



CAN BE USED WITH

- 10280102
BL Ring High 26mm for K0/K1/K2/K3 BI
- 10889830
Conbox outer dimension 190x190x130
- 12290XXX
Gypkit 190x190x78X78

