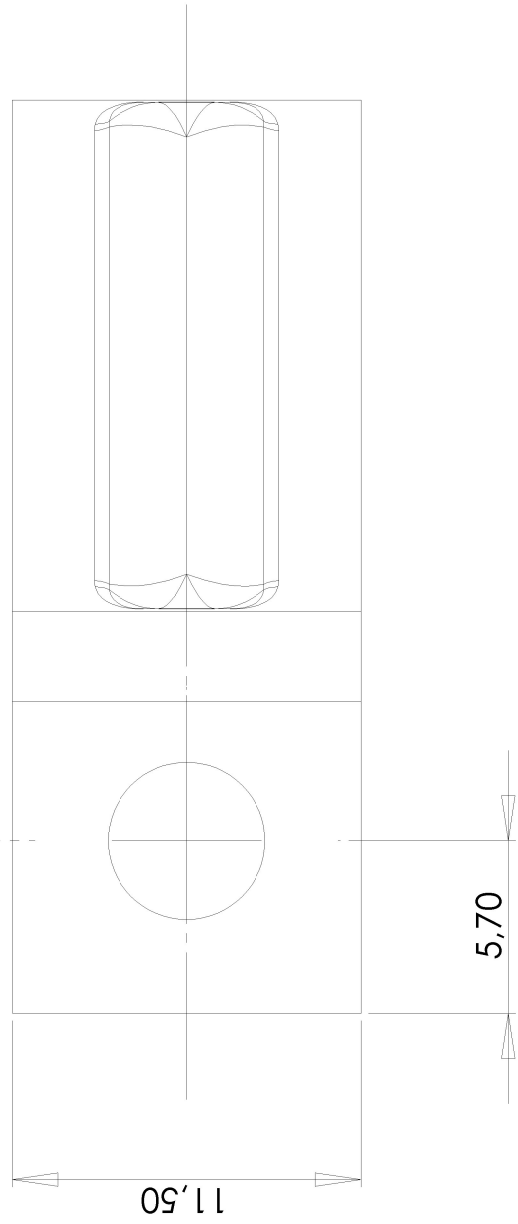
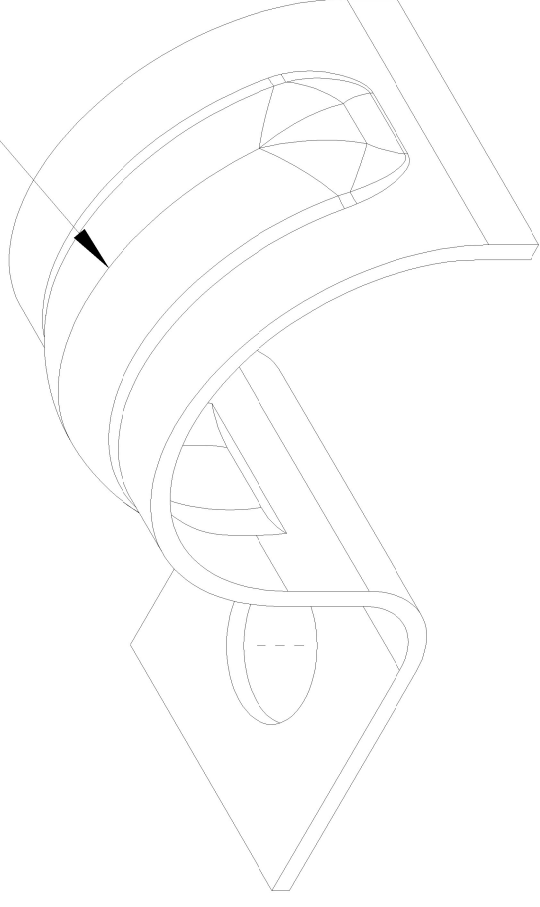


STAMPED



- DEBUR AND BREAK SHARP EDGES.
 - UNLESS OTHERWISE SPECIFIED, DIMENSIONS ARE IN MILLIMETER.
 - DO NOT SCALE DRAWING.

SURFACE FINISH:
 GALVANIZED

DATE: 08/08/2010
 SCALE: 4:1

MATERIAL: STEEL

SHEET 1 OF 1

REVISION



Gsv
 Middelmolenlaan 20
 Belgium
 Tel: +32 3 326 50 77
 Fax: +32 3 326 49 23
 Mail: info@gsv.be

TITLE: 7009/16

DWG NO. 7009-16
 A3

