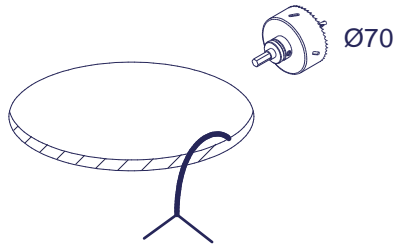


# Smart Kup 82 LED GE

124710XX - 124711XX - 124712XX - 124713XX - 124714XX - 124715XX

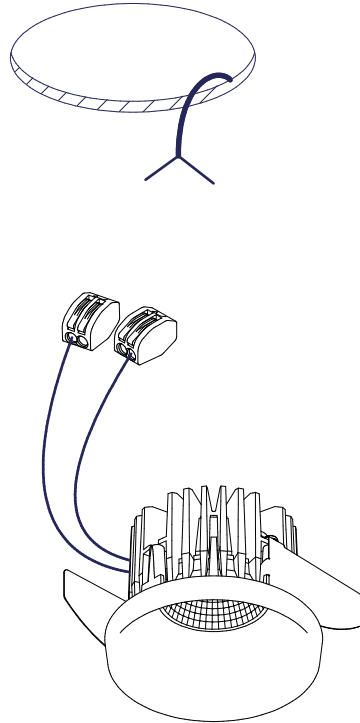
Lamptype : LED array

1

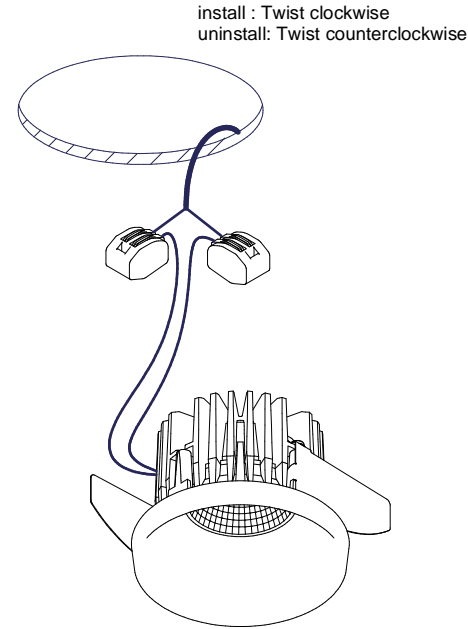


350mA - min. 16,2Vf - max 19,6Vf - 6.2W  
500mA - min. 16,9Vf - max 20,3Vf - 9.3W

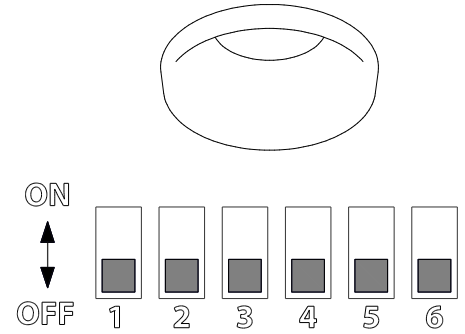
2



3



4

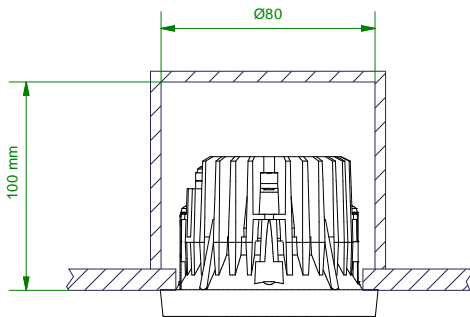


check dipswitch settings on driver  
max 500mA



Push Dim max 5 drivers on 1 push button

The light source contained in this luminaire shall only be replaced by the manufacturer or his service agent or a similar qualified person



## CAN BE USED WITH

**Drivers:**  
see driver matrix - latest version on website  
[www.supermodular.com](http://www.supermodular.com) or check sales contact

**Recessed ring:**  
12500230 Recessed ring Ø70 H100

**Surface box:**  
125140xx Surface box 1x GI  
125141xx Surface box 1x GI 1-10V/PUSHDIM  
125150xx Surface box 2x GI  
125151xx Surface box 2x GI 1-10V/PUSHDIM

**Surface tubed:**  
128400xx Surface tubed long 1x GI  
128401xx Surface tubed long 1x GE  
128410xx Surface tubed short 1x GE

**Gypkit - conbox**  
12290130 Gypkit 190X190X Ø70  
10889830 Conbox outer dim. 190x192x130

**Mask:**  
12500009 Smart Mask 82 1x WhStr  
12500032 Smart Mask 82 1x BiStr  
12500046 Smart Mask 82 1x Gold  
12500109 Smart Mask 82 2Lx WhStr  
12500132 Smart Mask 82 2Lx BiStr  
12500146 Smart Mask 82 2Lx Gold

