

PRODUCT DATA SHEET

Part number	310SW
EAN	4015609203505
Manufacturer	WALTHER-WERKE
WEEE-Reg.-Number:	DE 22131895

Product description

Coupler 16A 5P 6h with external cable gland for lighting and stage technology



Product Image

Detailed product description

WALTHER Coupler 16A 5P 400V 6h IP44
 made from PA6 material
 colour: black
 with screw terminal
 and external cable gland
 for lighting and stage technology
 Increased safety due to injected 2K seal
 and two contact screws.

Ordering Information

Order unit	Piece
Customs number	85366990
Net weight	0,2654 kg
Packing quantity (VPE)	10
Length of the packaging	0,31 m
Width of the packaging	0,163 m
Depth of the packaging	0,113 m
Gross weight(VPE)	2,766 kg

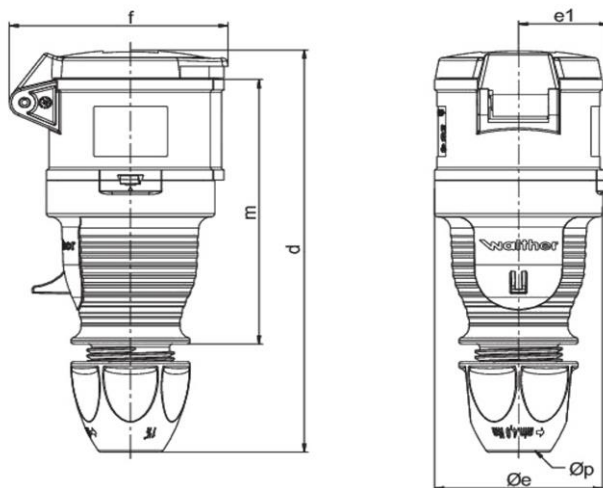
Classification system

Classification system	ETIM_6.0
ETIM Class	EC001320

Technical product data

IEC-amperage	16 A
Amperage acc. UL/CSA (for UL-version)	20 A
Number of poles	5
Voltage acc. EN 60309-2	400 V (50+60 Hz) red
Clock hour position	6 h
Identification colour	Red
Degree of protection (IP)	IP44
Connection system	Screwed terminal
Angle of plug	Straight
Cable entry	Anti-kink sleeve
Material	Plastic

Dimension sheet



Amp.	16	32
Pole	5	5
d	165-176	189-199
Øe	65	72
e1	35	38,5
f	85	97
m	114	130
Øp	7,5/18,5	10-22,5