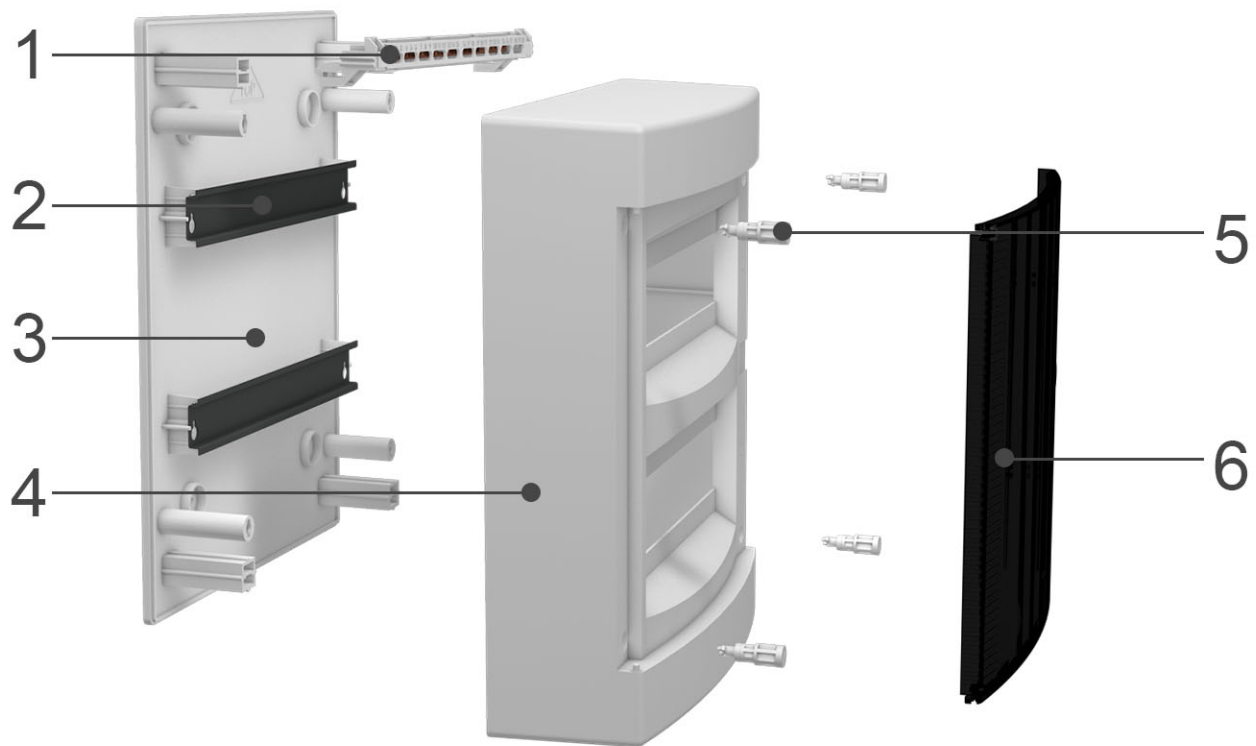


Enclosures IP40 surface mounting

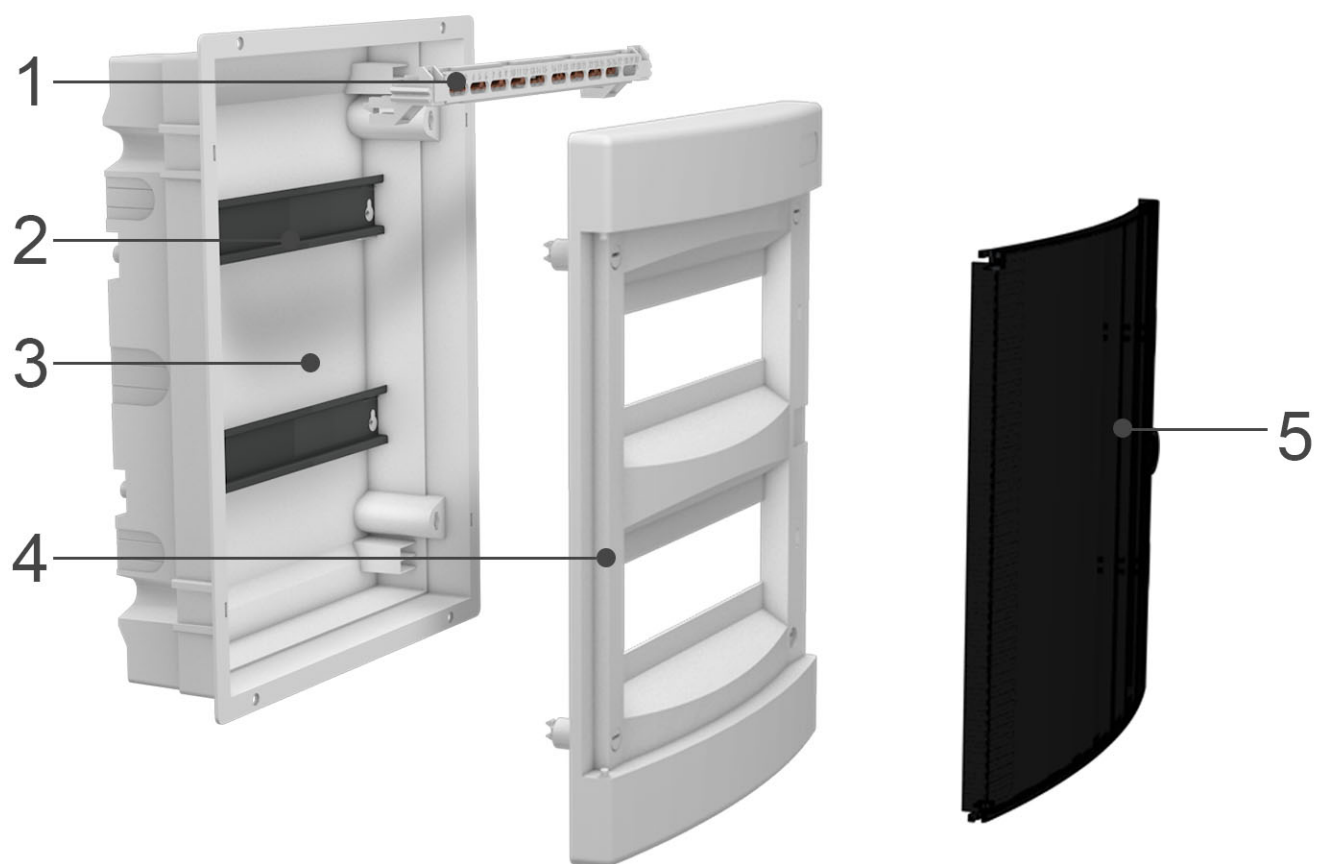
Surface mounting enclosures series C are intended for indoor application. They are produced from Acrylonitrile Butadiene Styrene (ABS), a material with shiny, impervious surface and the most important mechanical properties: resistance and toughness. ABS can be used between -25 and 60°C and is considered superior for its hardness, gloss, toughness, and electrical insulation properties. Enclosures are completely assembled with all necessary parts.



- 1 Isolated terminal
- 2 DIN rail
- 3 Base
- 4 Front mask
- 5 Plastic screws
- 6 Door

Base Material : ABS , color : RAL 9003
Glow wire test: 650°C
Door material: ABS, color : transparent or white
Terminal holder: self-extinguishing material
Glow wire test: 960°C
Temperature: -25°C / $+60^{\circ}\text{C}$
Nominal voltage: AC 400V
According to standard: IEC 60670 / IEC 62208
Halogen free: YES

Enclosures IP40 flush mounting



- 1 Isolated terminal
- 2 DIN rail
- 3 Base
- 4 Front mask
- 5 Door

Base Material : ABS , color : RAL 9003
Glow wire test: 650°C
Door material: ABS, color : transparent or white
Terminal holder: self-extinguishing material
Glow wire test: 960°C
Temperature: -25°C / +60°C
Nominal voltage: AC 400V
According to standard: IEC 60670 / IEC 62208
Halogen free: YES

Series C advantages

Thanks to the good technical properties and modern design, enclosures series C can be used in all residential, business and catering facilities.



A door can be transparent or white, made from ABS which contributes to elasticity and firmness.



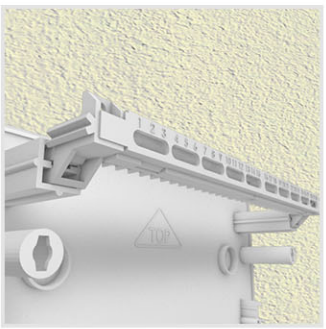
Possibility of using a metal lock with key, simply by removing the plastic cap from the door.



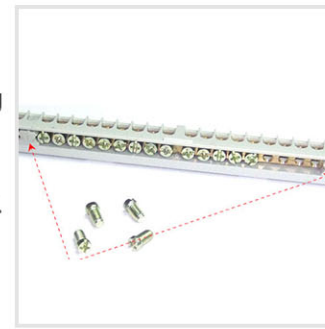
Easy and fast connection of front mask to the base by turning plastic screws for $\frac{1}{4}$ of the turn, for surface mounting enclosures.



The safe connection between front mask and base using metal screws, for flush mounting enclosures.



Isolated terminal inside the plastic box, which is made of self-extinguishing material with glow wire test up to 960 °C and thermostable up to 120 °C.



Plastic holders hold the insulated terminals tight on the position.



Possibility for mounting on the hollow wall (KNAUF), using additional accessories.



Enclosures are completely assembled with all necessary parts: DIN rail, insulated terminals, cover for unused free space, installation accessories (screws, MCBs labels) and instruction manual.

Enclosures series C



N 4 C

Type:	Dimension:	Number of modules:	No. of PE/N terminals:	Pde [W]
IP 40 □ In 63A	235 x 143 x 98	4	2 x 4	10



N 8 C

Type:	Dimension:	Number of modules:	No. of PE/N terminals:	Pde [W]
IP 40 □ In 63A	236 x 215 x 102	8	2 x 8	16



N 12 C

Type:	Dimension:	Number of modules:	No. of PE/N terminals:	Pde [W]
IP 40 □ In 63A	236 x 287 x 112	12	2 x 10	25



N 24 C

Type:	Dimension:	Number of modules:	No. of PE/N terminals:	Pde [W]
IP 40 □ In 63A	361 x 287 x 112	24	2 x 13	30



N 36 C

Type:	Dimension:	Number of modules:	No. of PE/N terminals:	Pde [W]
IP 40 □ In 63A	485 x 287 x 112	36	2 x 15	30



N 48 C

Type:	Dimension:	Number of modules:	No. of PE/N terminals:	Pde [W]
IP 40  In 63A	652 x 287 x 112	48	2 x 20	35



N 18 C

Type:	Dimension:	Number of modules:	No. of PE/N terminals:	Pde [W]
IP 40  In 63A	236 x 396 x 112	18	2 x 13	25



N 2x18 C

Type:	Dimension:	Number of modules:	No. of PE/N terminals:	Pde [W]
IP 40  In 63A	361 x 396 x 112	36	2 x 15	30



N 3x18 C

Type:	Dimension:	Number of modules:	No. of PE/N terminals:	Pde [W]
IP 40  In 63A	526 x 396 x 112	54	2 x 26	35



N 4x18 C

Type:	Dimension:	Number of modules:	No. of PE/N terminals:	Pde [W]
IP 40  In 63A	651 x 396 x 112	72	2 x 30	40



U 4 C

Type:	Dimension:	Number of modules:	No. of PE/N terminals:	Pde [W]
IP 40  In 63A	232 x 139 x 99	4	2 x 4	10



U 8 C

Type:	Dimension:	Number of modules:	No. of PE/N terminals:	Pde [W]
IP 40  In 63A	232 x 211 x 99	8	2 x 8	16



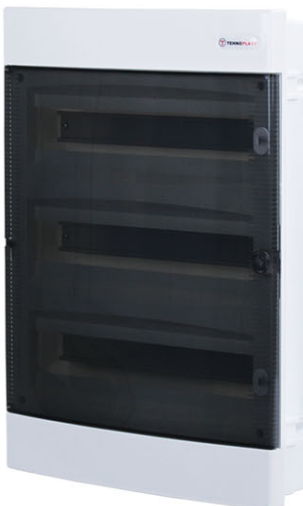
U 12 C

Type:	Dimension:	Number of modules:	No. of PE/N terminals:	Pde [W]
IP 40  In 63A	232 x 283x 106	12	2 x 10	25



U 24 C

Type:	Dimension:	Number of modules:	No. of PE/N terminals:	Pde [W]
IP 40  In 63A	357 x 283 x 106	24	2 x 13	30



U 36 C

Type:	Dimension:	Number of modules:	No. of PE/N terminals:	Pde [W]
IP 40  In 63A	482 x 283 x 106	36	2 x 15	30



U 18 C

Type:	Dimension:	Number of modules:	No. of PE/N terminals:	Pde [W]
IP 40  In 63A	232 x 392 x 106	18	2 x 13	25



U 2x18 C

Type:	Dimension:	Number of modules:	No. of PE/N terminals:	Pde [W]
IP 40  In 63A	375 x 392 x 106	36	2 x 15	30



U 3x18 C

Type:	Dimension:	Number of modules:	No. of PE/N terminals:	Pde [W]
IP 40  In 63A	522 x 392 x 106	54	2 x 26	35

Accessories



Cover for empty space, PP

**standard accessories*



ISOLATED TERMINAL STANDARD, IS30

**standard accessories*



ISOLATED TERMINAL DOUBLE, IS60

**additional accessories*



ISOLATED TERMINAL, AUSTRALIAN STANDARD, IS30 AU

**additional accessories*



ISOLATED SCREWLESS TERMINAL, IS 3/14 PE/N

**additional accessories*



LOCK WITH KEY, LOCK C

**additional accessories*