

# Multiple trimless for 3x LED GE

131712XX

**1 CEILING**

can be used with :  
10450330 Mult trimless 45Qx recessed frame

hole dimension for recessed frame.

164x462mm  
H= 120

min. 1mm  
max. 250mm

**2**

458x160  
H= 110

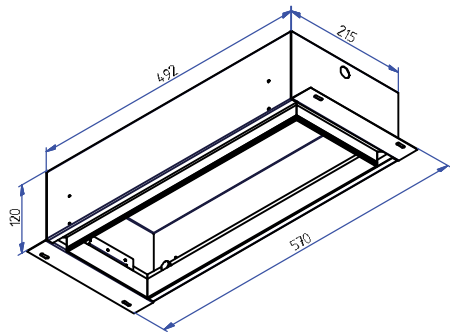
Don't connect the gear to 230V before the LEDs are connected to the gear!

**CEILING HOLE**

go to the + of the Led gear  
go to the - of the Led gear

Serial connection

Serial connection



Conbox always with recessed frame  
art.10430330

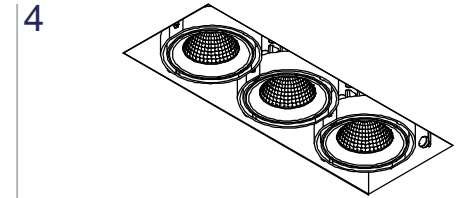


**3**

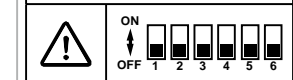
**CEILING HOLE**

Serial connection

zwart / black / noir / schwarz / negro / nero / черный  
rood / red / rouge / rot / rojo / rosso / красный



**CHECK DIP-SWITCHES ON DRIVER**



The light source contained in this luminaire shall only be replaced by the manufacturer or his service agent or a similar qualified person

**MUST BE USED WITH**

11298202	M LED MOD 111 2,7KF BL
11298224	M LED MOD 111 2,7KF BRUSHALU
11298209	M LED MOD 111 2,7KF WHSTR
11298102	M LED MOD 111 2,7KM BL
11298124	M LED MOD 111 2,7KM BRUSHALU
11298109	M LED MOD 111 2,7KM WHSTR
11298002	M LED MOD 111 2,7KS BL
11298024	M LED MOD 111 2,7KS BRUSHALU
11298009	M LED MOD 111 2,7KS WHSTR
11298502	M LED MOD 111 3KF BL
11298524	M LED MOD 111 3KF BRUSHALU
11298509	M LED MOD 111 3KF WHSTR
11298402	M LED MOD 111 3KM BL
11298424	M LED MOD 111 3KM BRUSHALU
11298409	M LED MOD 111 3KM WHSTR
11298302	M LED MOD 111 3KS BL
11298324	M LED MOD 111 3KS BRUSHALU
11298309	M LED MOD 111 3KS WHSTR
11298802	M LED MOD 111 4KF BL
11298824	M LED MOD 111 4KF BRUSHALU
11298809	M LED MOD 111 4KF WHSTR
11298702	M LED MOD 111 4KM BL
11298724	M LED MOD 111 4KM BRUSHALU
11298709	M LED MOD 111 4KM WHSTR
11298602	M LED MOD 111 4KS BL
11298624	M LED MOD 111 4KS BRUSHALU
11298609	M LED MOD 111 4KS WHSTR

**CAN BE USED WITH**

Drivers:  
see driver matrix - latest version on website  
[www.supermodular.com](http://www.supermodular.com) or check sales contact

