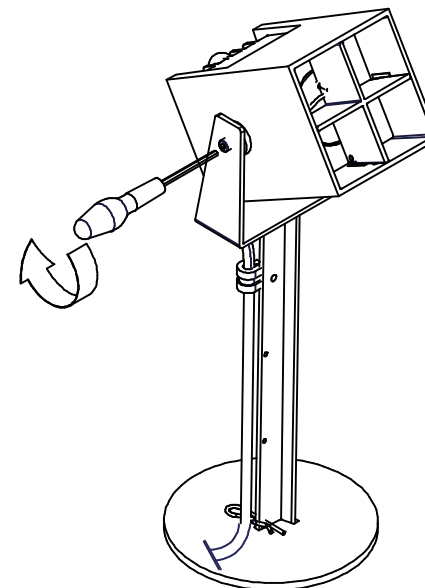
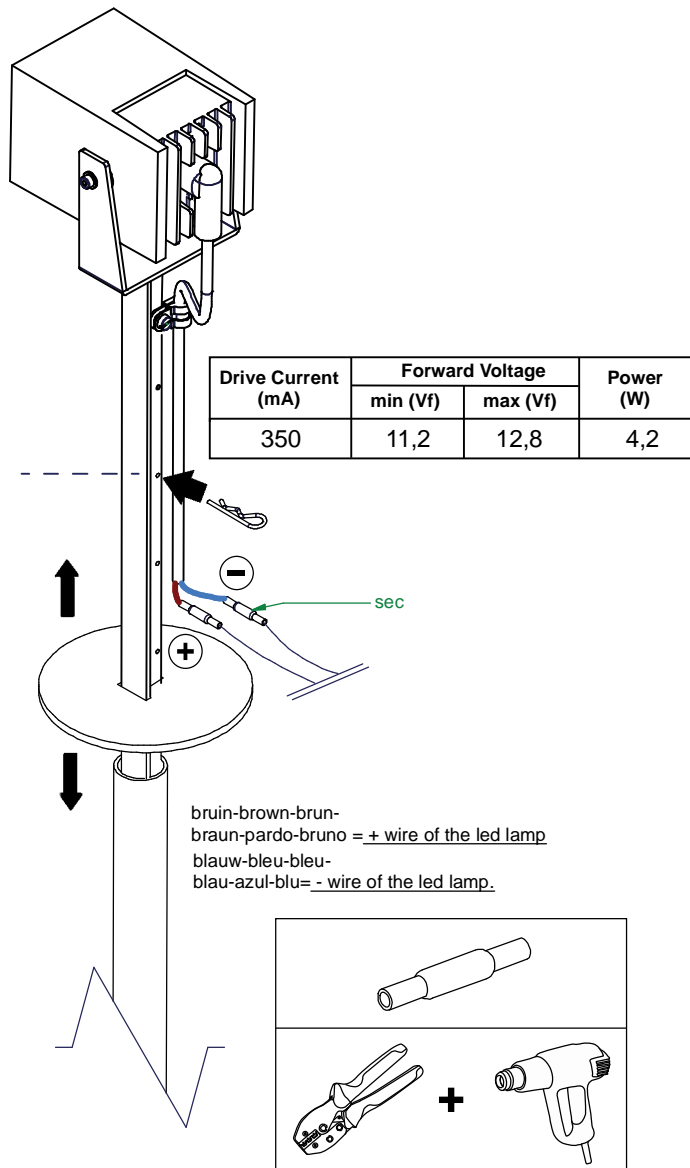
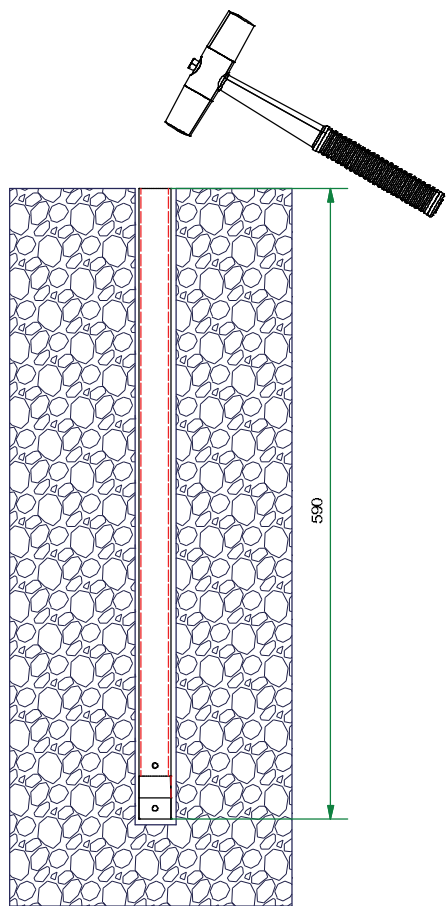
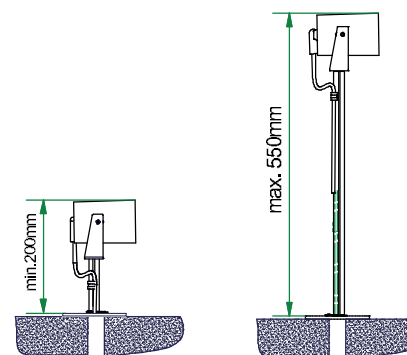


Julien square IP54 LED 3000K flood

107323XX



Don't connect the gear to 230V before the LEDs are connected to the gear!



Drivers:
 see driver matrix - latest version on website
www.supermodular.com or check sales contact

The light source contained in this luminaire shall only be replaced by the manufacturer or his service agent or a similar qualified person

