

SMART LOTIS 115 LED GE

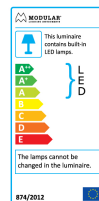
Smart lotis is the best known fixture within the Smart family. The deeply recessed cone which holds the light source inspired the designers to create a very versatile spot to be combined with multiple accessories. This family's styling is based on our most popular designs. Concretely this means that the luminaires consist of a module (LED or halogen) which can be combined with one of three trims to suit your needs. The new spotlights can be combined with Smart mask, Smart surface box or Smart surface tubed to form the perfect solution for any interior. Choose a white, black or gold finishing. Also available in different sizes, fix and adjustable, IP version, ...

Art. Nr. 12751632

SPECIFICATIONS

Lamp	1x LED Array			
Gear / Transfo	LED gear not incl.			
Cut-out size	ø 108 h 100			
Weight	0.455kg			
Min. Distance	0.1			
IP	IP20			
Glow Wire Test	960°			
Source lifetime	50000 hrs			
CRI	90			
Power supply	350mA 31Vf	500mA 32Vf	700mA 34Vf	900mA 35Vf
Connected load	11W	16.25W	23.6W	31.2W
Lumen	1037lm	1422lm	1892lm	2232lm
Efficacy	94lm/W	88lm/W	80lm/W	72lm/W
UGR	15	16	17	18
Adjustability	Not Applicable			
Remark	! 3500K on request ! can be combined with Smart mask ! can be combined with Smart surface box & surface tubed (surface/suspension)			

	WARM WHITE 2700K / CRI 90+			NEUTRAL WHITE 4000K / CRI 90+			WARM WHITE 3000K / CRI 90+		
	MEDIUM 25°	SPOT 15°	FLOOD 40°	MEDIUM 25°	SPOT 15°	FLOOD 40°	SPOT 15°	MEDIUM 25°	FLOOD 40°
black struc	12751032	12751232	12751332	12751132	12751732	12751832	12751432	12751532	12751632
gold	12751046	12751246	12751346	12751146	12751746	12751846	12751446	12751546	12751646
white struc	12751009	12751209	12751309	12751109	12751709	12751809	12751409	12751509	12751609



This label is available in other languages:
<http://supermodular.com/assets/TYPE2.pdf>



SMART LOTIS 115 LED GE

ACCESSORIES

GYPKIT

12290530 | GYPKIT 190X190 - Ø108

CONBOX

10889830 | CONBOX 190X192X130X256

MASK

12810032 | SMART MASK 115 1X BLACK STRUC
 12810046 | SMART MASK 115 1X GOLD
 12810009 | SMART MASK 115 1X WHITE STRUC
 12810132 | SMART MASK 115 2X BLACK STRUC
 12810146 | SMART MASK 115 2X GOLD
 12810109 | SMART MASK 115 2X WHITE STRUC

SURFACE-BOX

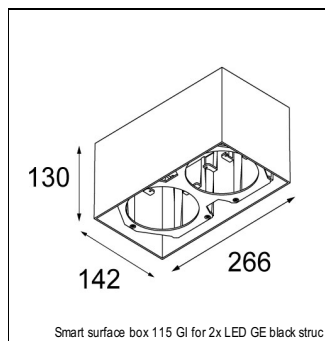
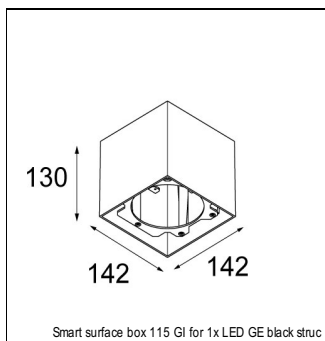
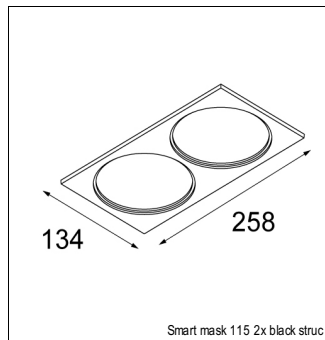
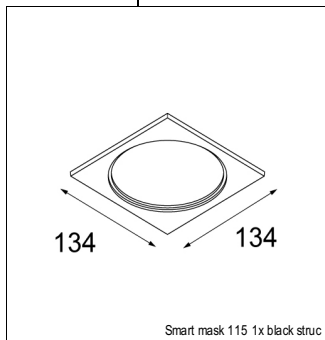
12800032 | SMART SURFACE BOX 115 GI FOR 1X LED GE BLACK STRUC
 12800009 | SMART SURFACE BOX 115 GI FOR 1X LED GE WHITE STRUC
 12800132 | SMART SURFACE BOX 115 1-10V/PUSHDIM GI FOR 1X LED GE BLACK STRUC
 12800109 | SMART SURFACE BOX 115 1-10V/PUSHDIM GI FOR 1X LED GE WHITE STRUC
 12800232 | SMART SURFACE BOX 115 DALI GI FOR 1X LED GE BLACK STRUC
 12800209 | SMART SURFACE BOX 115 DALI GI FOR 1X LED GE WHITE STRUC
 12801032 | SMART SURFACE BOX 115 GI FOR 2X LED GE BLACK STRUC
 12801009 | SMART SURFACE BOX 115 GI FOR 2X LED GE WHITE STRUC
 12801132 | SMART SURFACE BOX 115 1-10V/PUSHDIM GI FOR 2X LED GE BLACK STRUC
 12801109 | SMART SURFACE BOX 115 1-10V/PUSHDIM GI FOR 2X LED GE WHITE STRUC
 12801232 | SMART SURFACE BOX 115 DALI GI FOR 2X LED GE BLACK STRUC
 12801209 | SMART SURFACE BOX 115 DALI GI FOR 2X LED GE WHITE STRUC

RECESSED-FRAME

12810230 | RECESSED RING Ø127 H100

SURFACE-TUBED

13140332 | SMART SURFACE TUBED 115 LED DALI GI BLACK STRUC
 13140324 | SMART SURFACE TUBED 115 LED DALI GI BRUSHED ALU
 13140309 | SMART SURFACE TUBED 115 LED DALI GI WHITE STRUC



ACCESSORIES

SURFACE-TUBED

13141332 | SMART SURFACE TUBED SUSPENSION 115 LED DALI GI BLACK STRUC
 13141324 | SMART SURFACE TUBED SUSPENSION 115 LED DALI GI BRUSHED ALU
 13141309 | SMART SURFACE TUBED SUSPENSION 115 LED DALI GI WHITE STRUC
 13141232 | SMART SURFACE TUBED SUSPENSION 115 LED 1-10V/PUSHDIM GI BLACK STRUC
 13141224 | SMART SURFACE TUBED SUSPENSION 115 LED 1-10V/PUSHDIM GI BRUSHED ALU
 13141209 | SMART SURFACE TUBED SUSPENSION 115 LED 1-10V/PUSHDIM GI WHITE STRUC
 13141132 | SMART SURFACE TUBED SUSPENSION 115 LED TRE DIM GI BLACK STRUC
 13141124 | SMART SURFACE TUBED SUSPENSION 115 LED TRE DIM GI BRUSHED ALU
 13141109 | SMART SURFACE TUBED SUSPENSION 115 LED TRE DIM GI WHITE STRUC

