

Modular Flush mounting boxes for appliances *installation* on brick walls

Modular flush mounting boxes for brick and concrete walls made with Halogen free PP Copolymer for permanent use and installation temperatures of: - 15 °C till + 60°C.



Resistance to abnormal heat (Glow wire test): 750 °C.

RAL colours: RAL 7037 dark grey and natural colour.

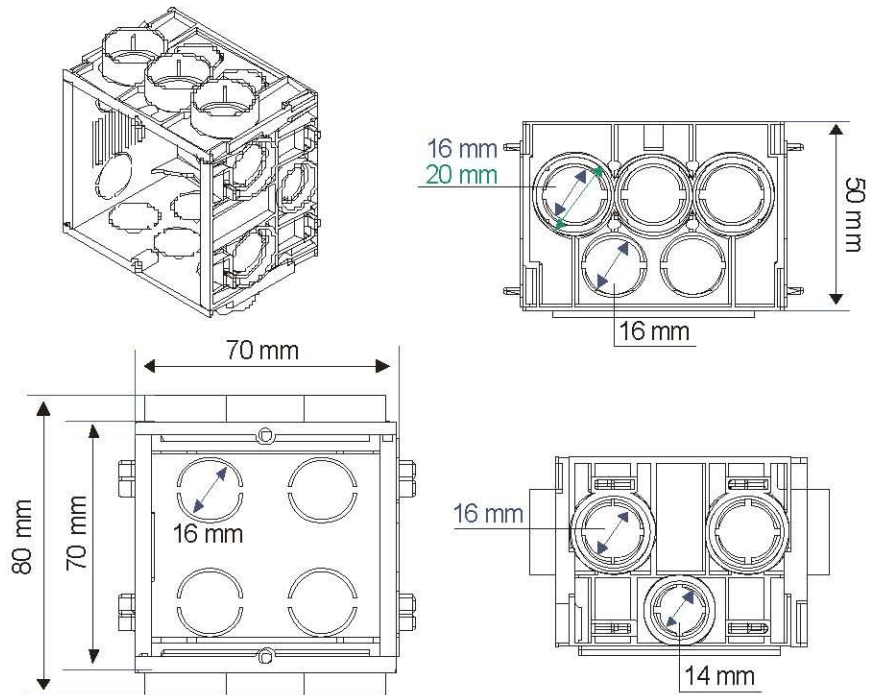
Supplied with or without appliances fixing screws.

Projected and manufactured according EN 60670-1 (2005) and CEE 7 Standard sheet



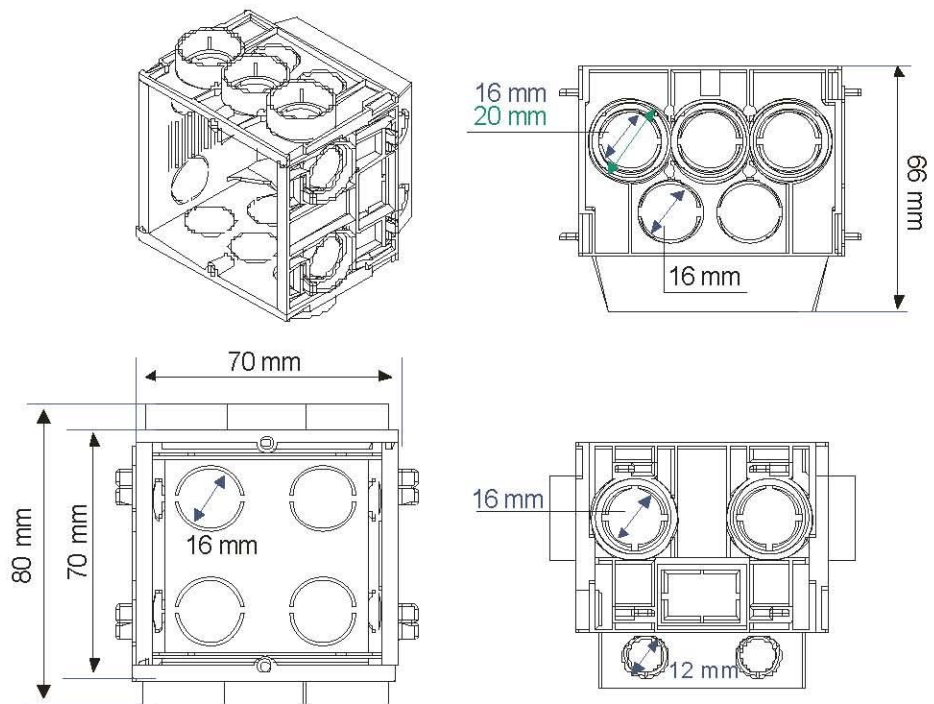
Standard dimensions Ref. 430: 70x70x50 mm

Ref. - 430



Standard dimensions Ref. 431: 70x70x66 mm

Ref. - 431



This information is currently in use, it may be subject to change without prior notice.