

## PRODUCT DATA SHEET

---

Part number **368509**

EAN **4015609654772**

Manufacturer **WALTER-WERKE**

WEEE-Reg.-Number: **DE 22131895**

### Product description

---

Waterproof coupler 63A 5P 9h with external cable gland



Product image

### Detailed product description

---

WALTER Coupler 63A 5P 230V 9h IP67  
 made from PA6 material  
 with screw terminal  
 with cable gland



### Ordering Information

---

Order unit	Piece
Customs number	85366990
Net weight	
Packing quantity (VPE)	5
Length of the packaging	
Width of the packaging	
Depth of the packaging	
Gross weight(VPE)	

### Certificates

---

VDE certification	40000699	
EAC certification	BY112.02.01.020 06101	

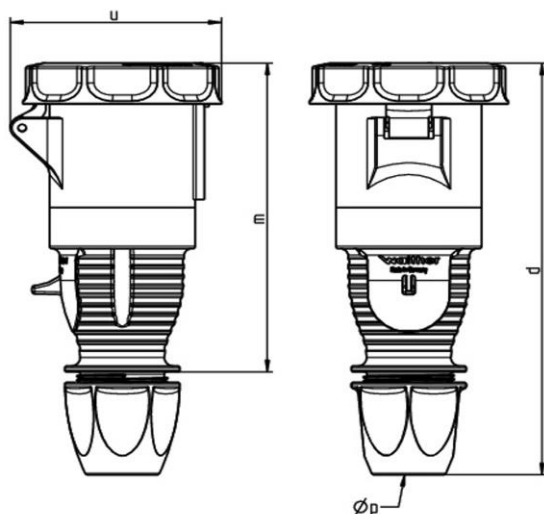
## Classification system

Classification system	ETIM_6.0
ETIM Class	EC001320

## Technical product data

IEC-ampereage	63 A
Amperage acc. UL/CSA (for UL-version)	60 A
Number of poles	5
Voltage acc. EN 60309-2	230 V (50+60 Hz) blue
Clock hour position	9 h
Identification colour	Blue
RAL-number	5002
Degree of protection (IP)	IP67
Connection system	Screwed terminal
Angle of plug	Straight
Cable entry	Swivel
Material	Plastic

## Dimension sheet



Amp.	63		
Pole	3	4	5
d	261	261	261
u	116	116	116
m	189	189	189
Øp	14-33	14-33	14-33