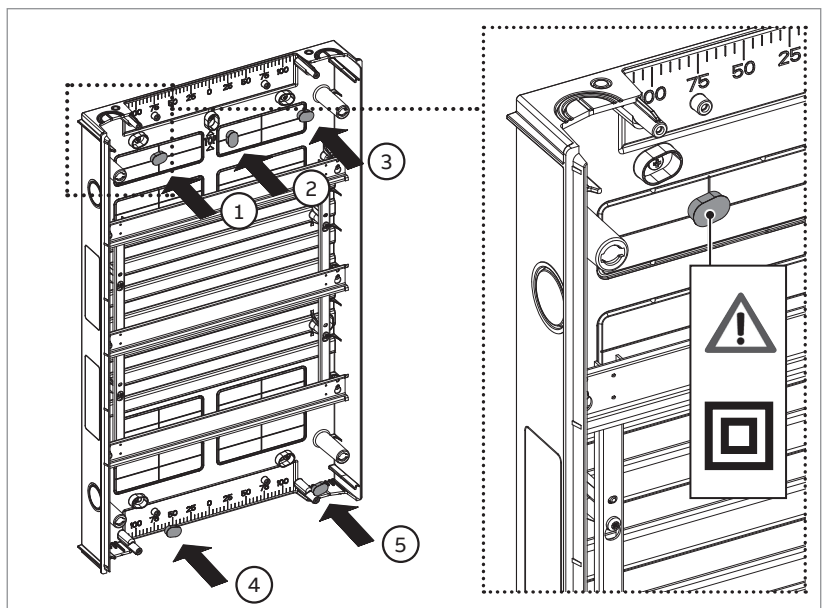
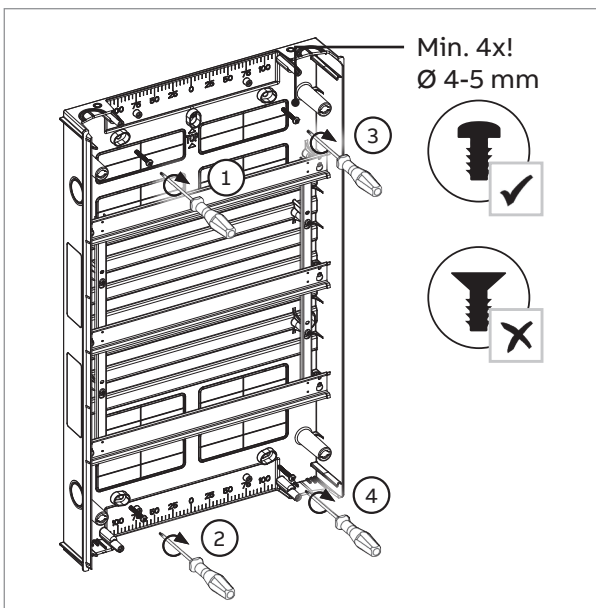
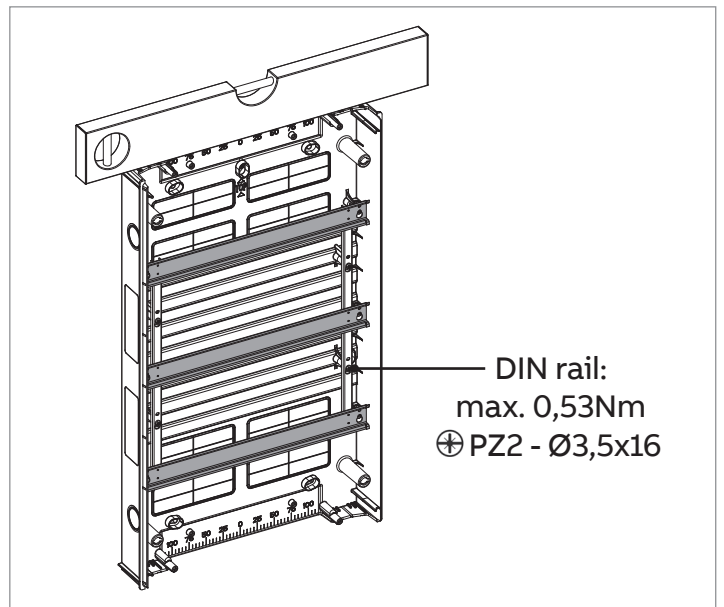
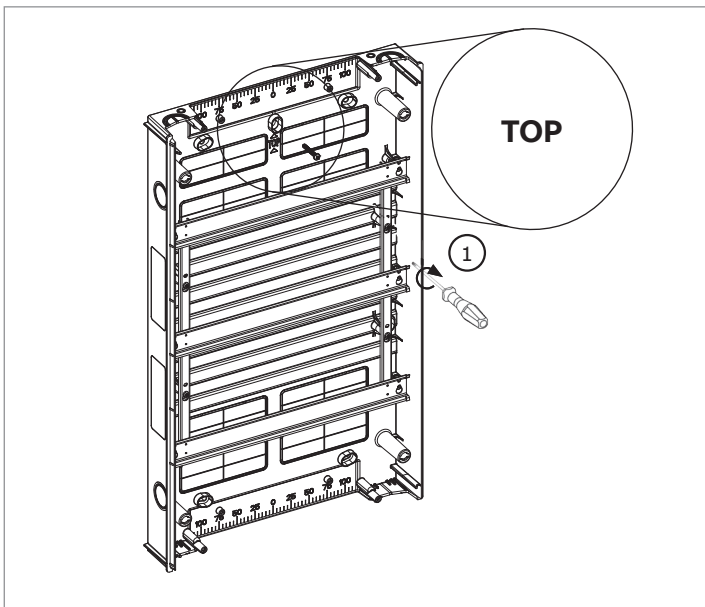


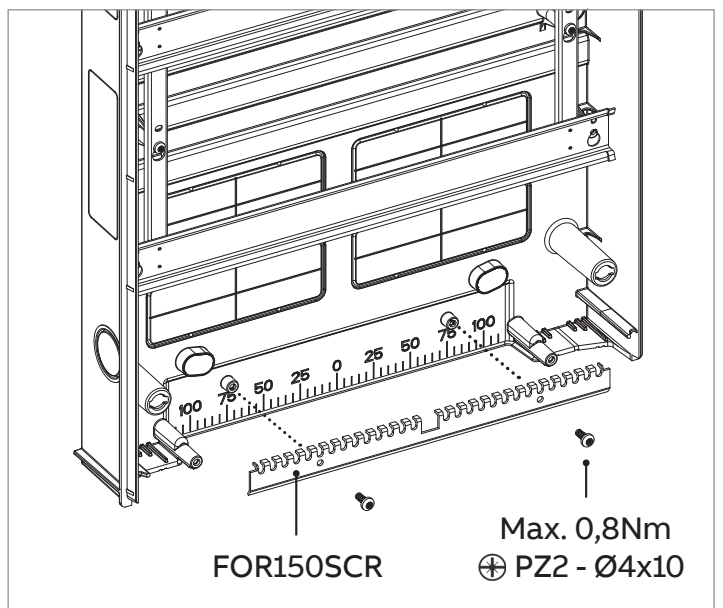
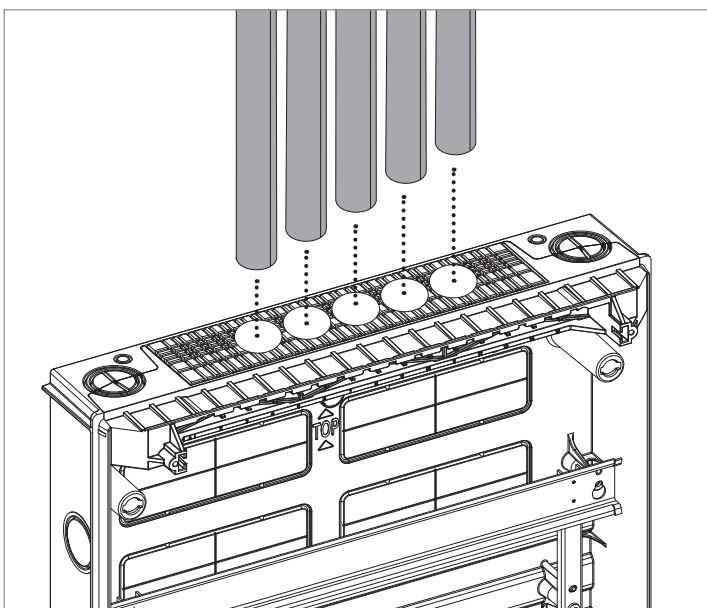
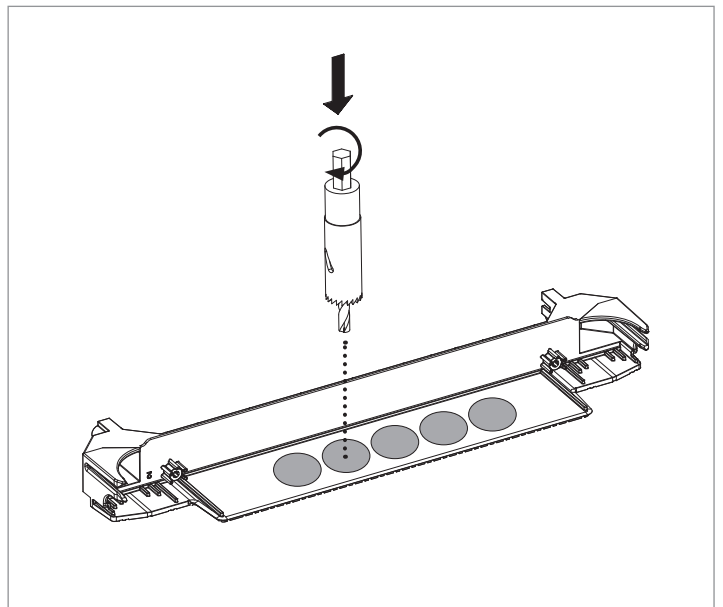
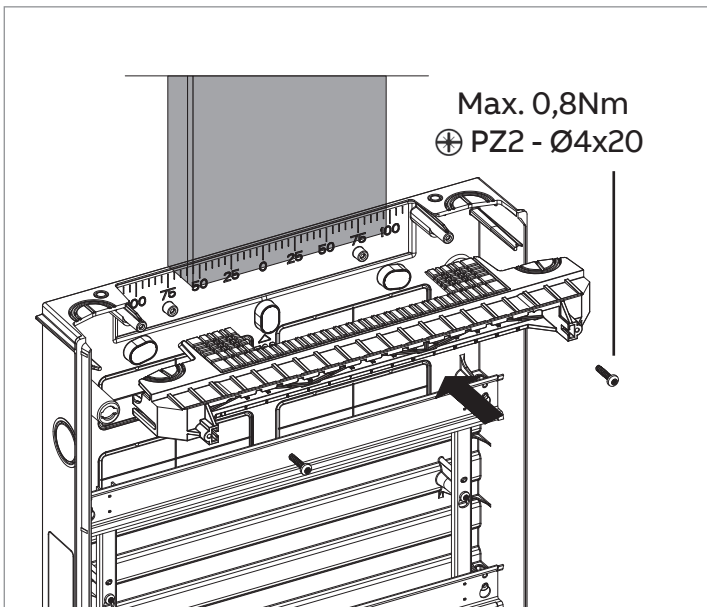
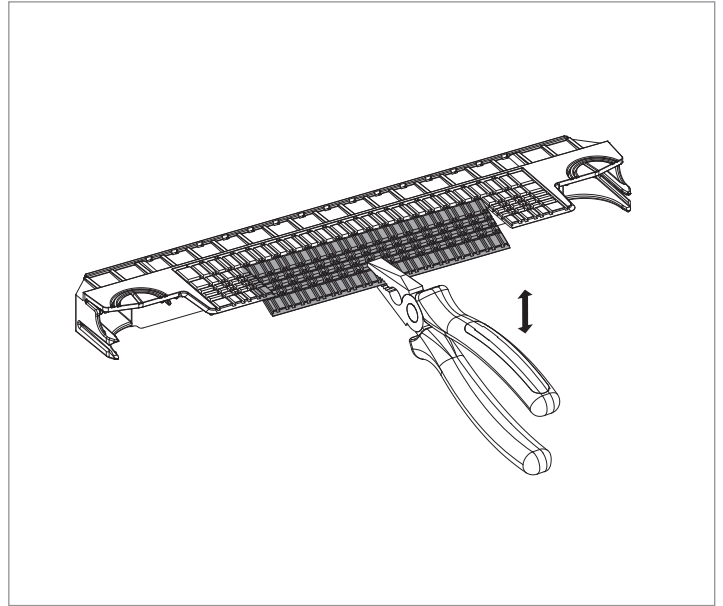
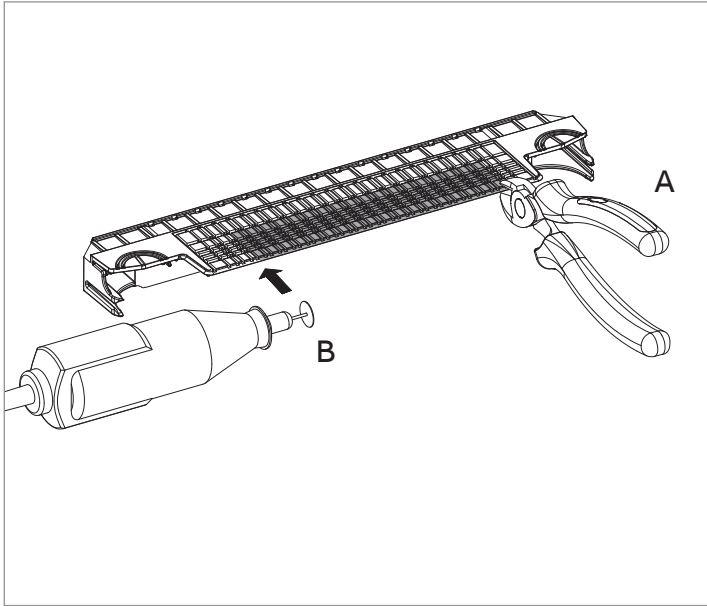
GR1
GR2
GR3
DIN 43880

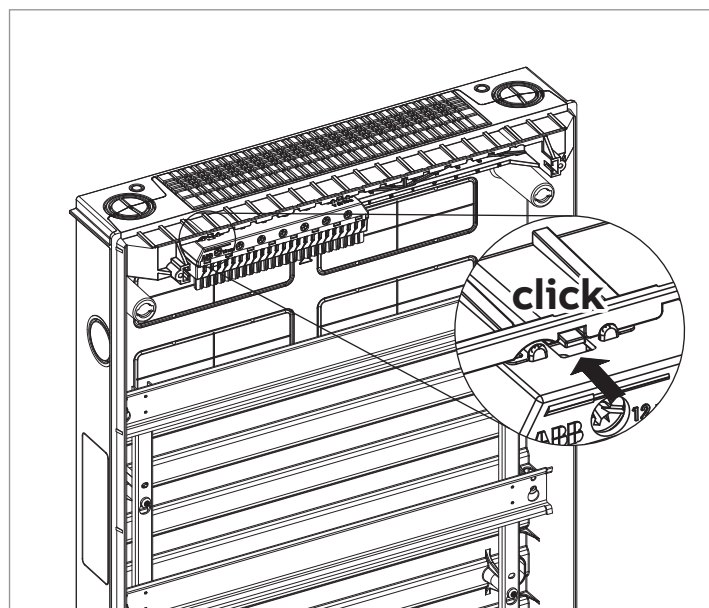
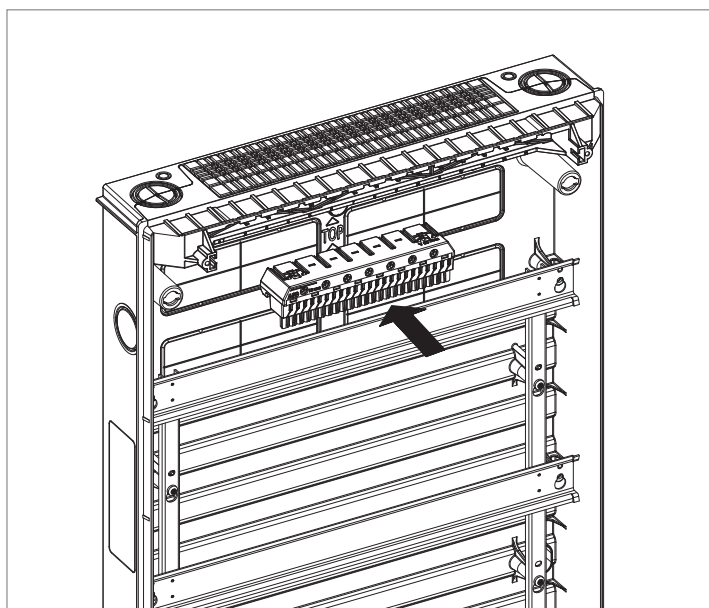
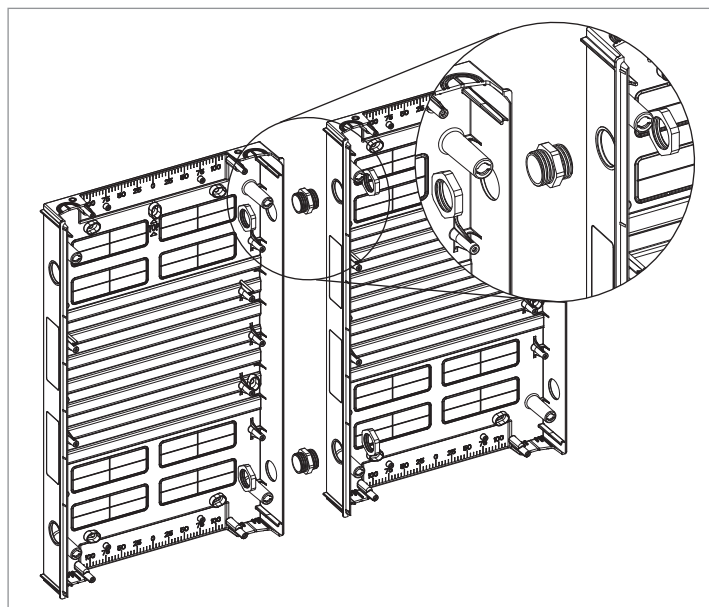
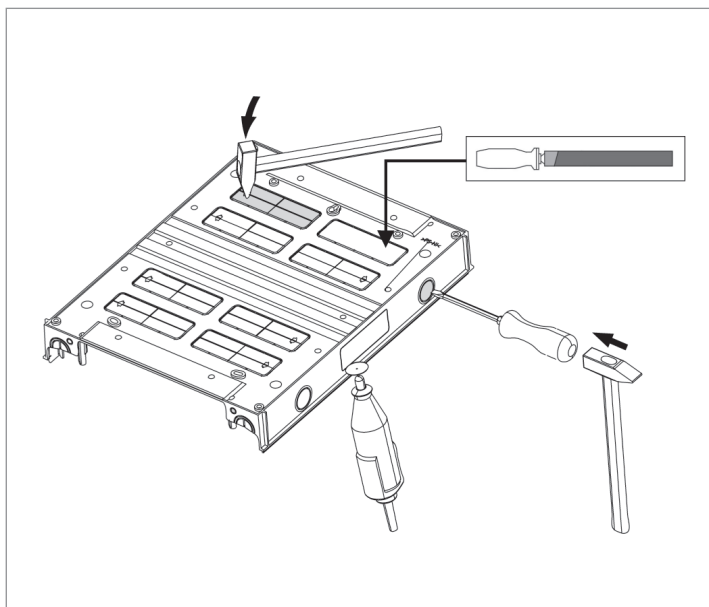
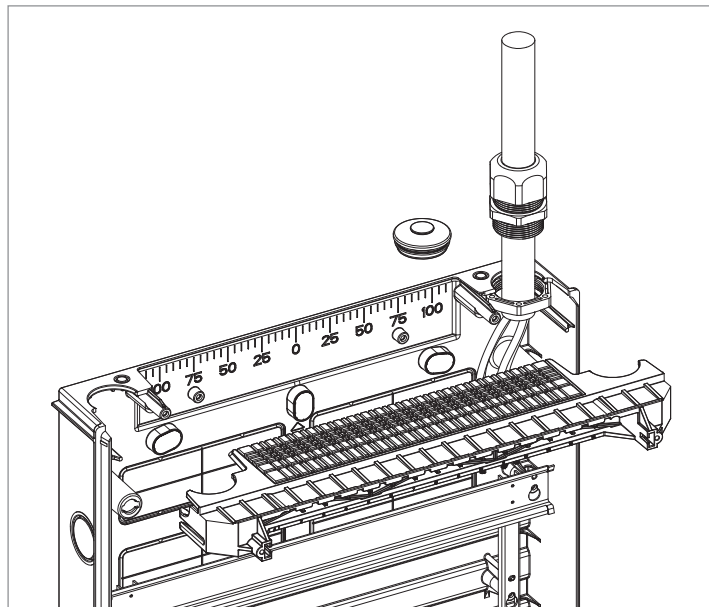
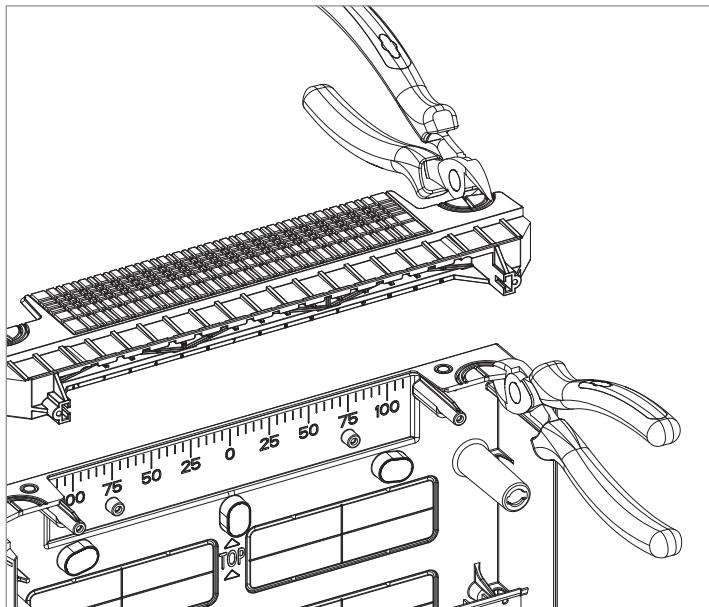
EN 60670-24 (PD)

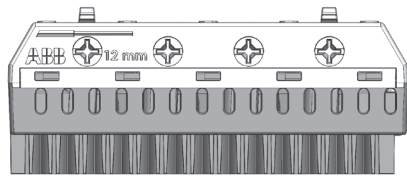
ABB

www.abb.com









Technical data:

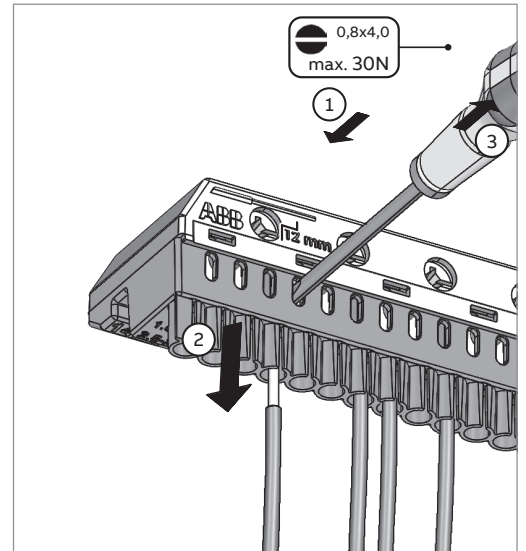
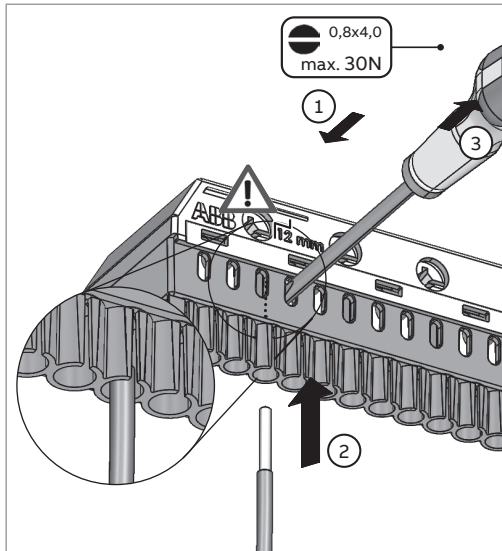
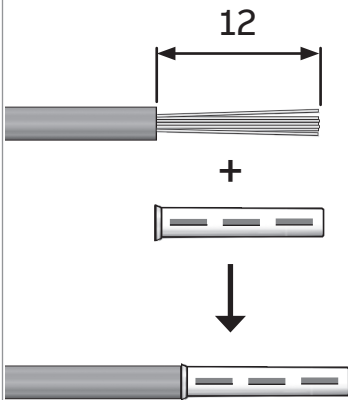
U_N : AC 400V / 50/60 Hz

I_N : 63 A

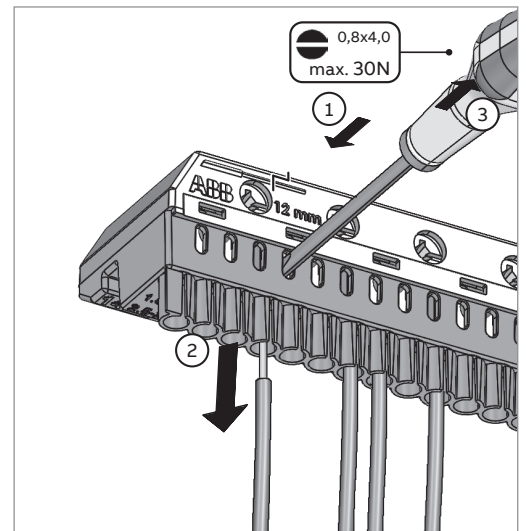
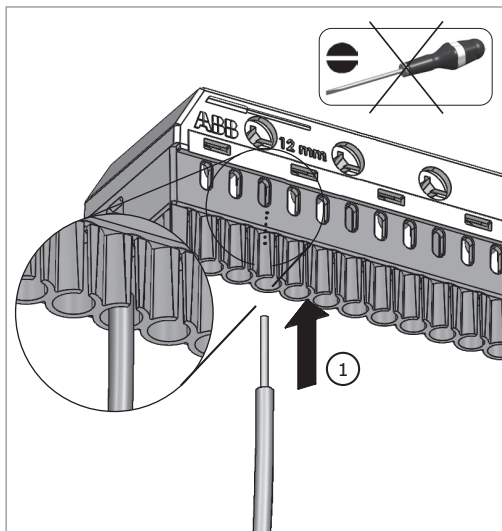
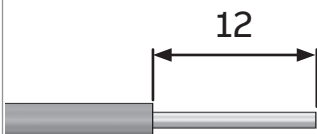
T : +40 / -5° C

IP20

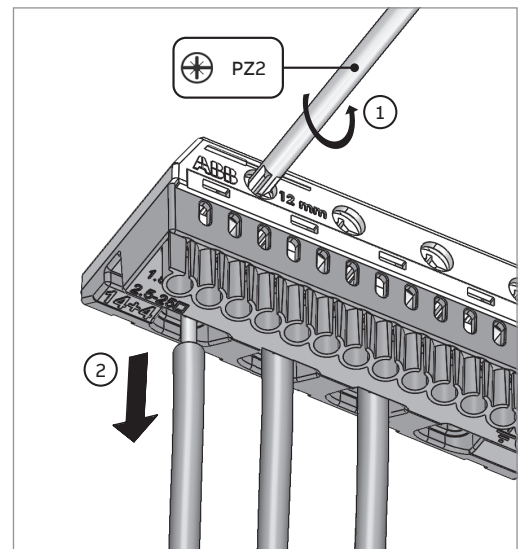
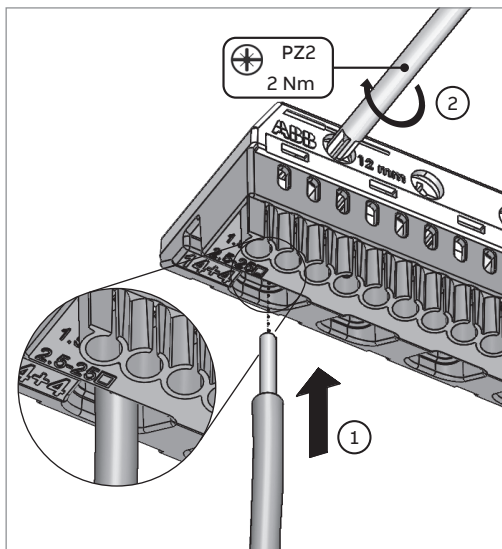
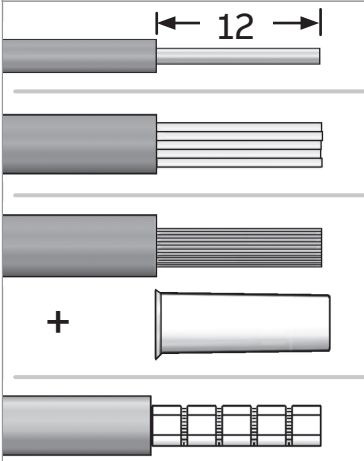
CU 1,5 - 2,5 mm²

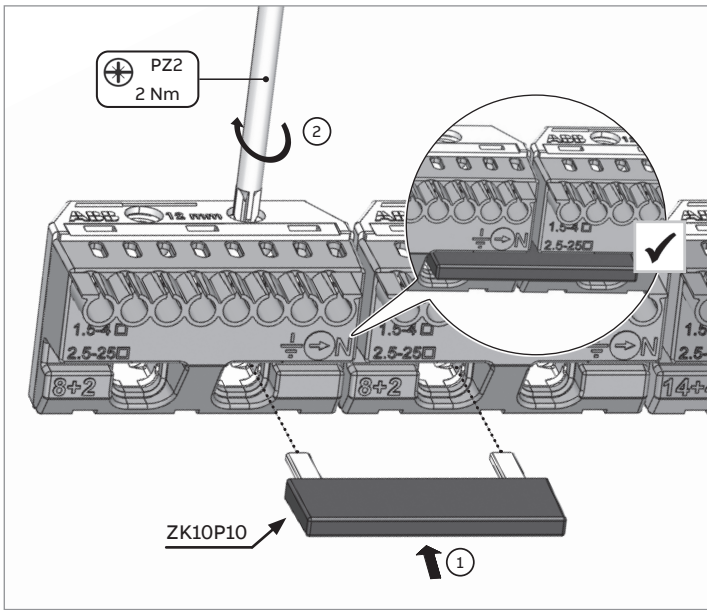


CU 1,5 - 4 mm²



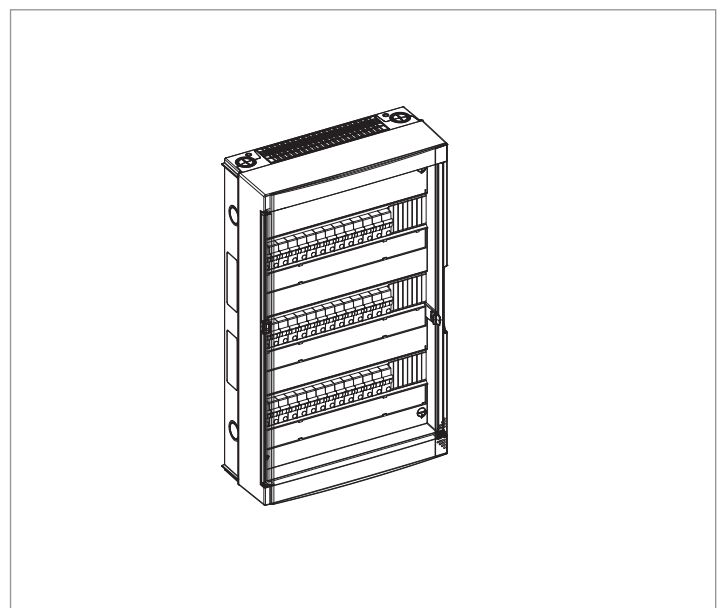
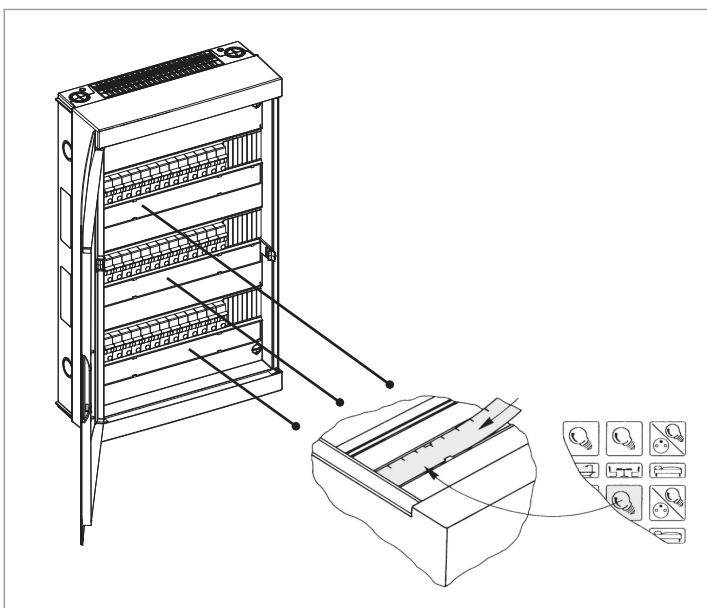
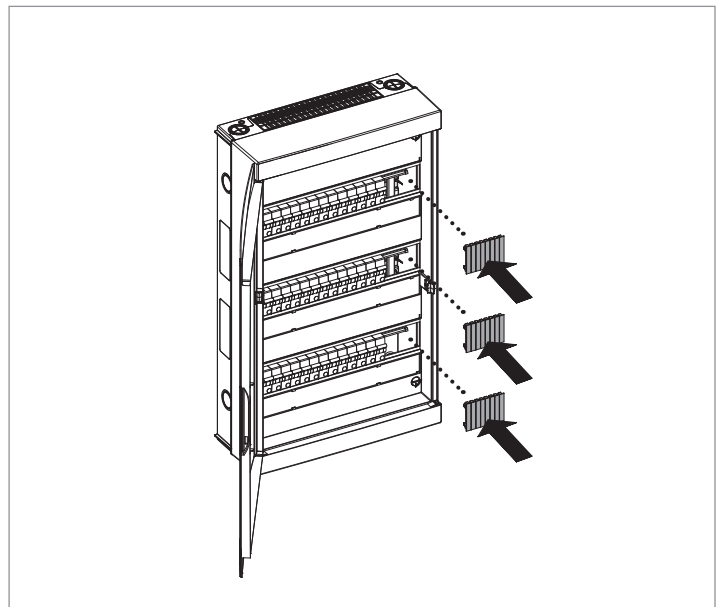
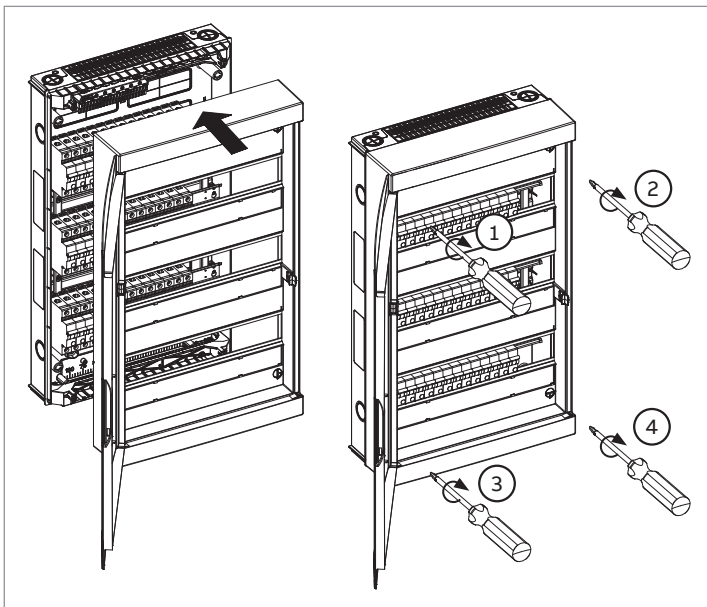
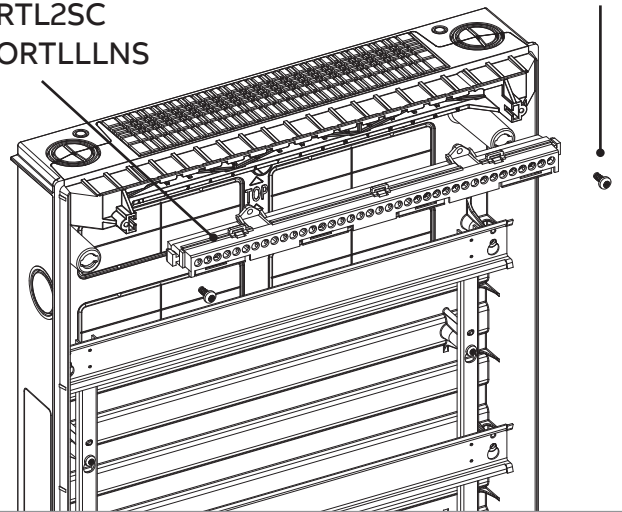
CU 2,5 - 25 mm²

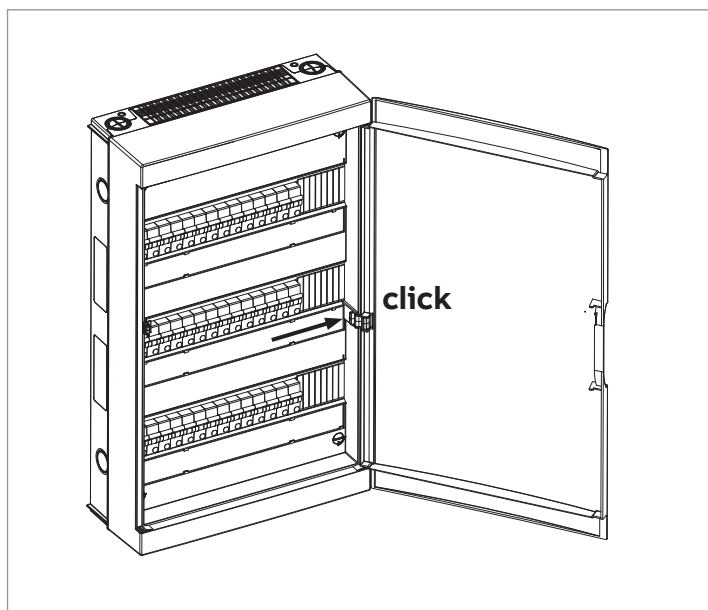
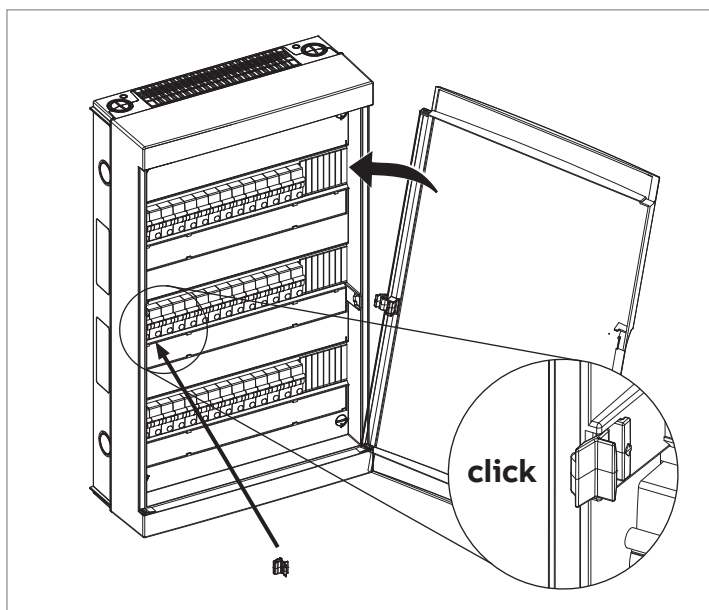
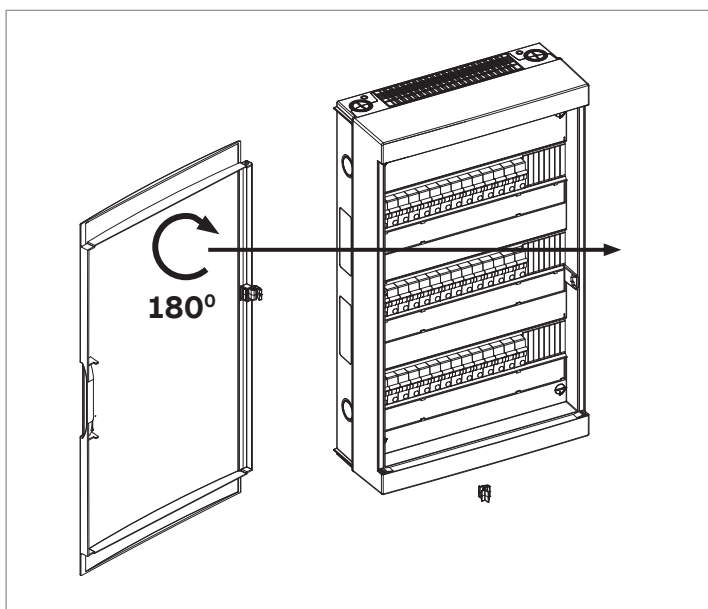
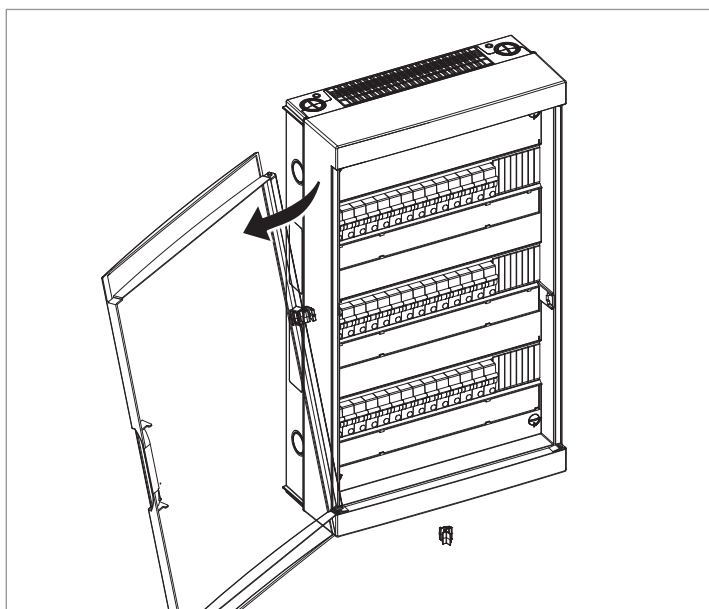
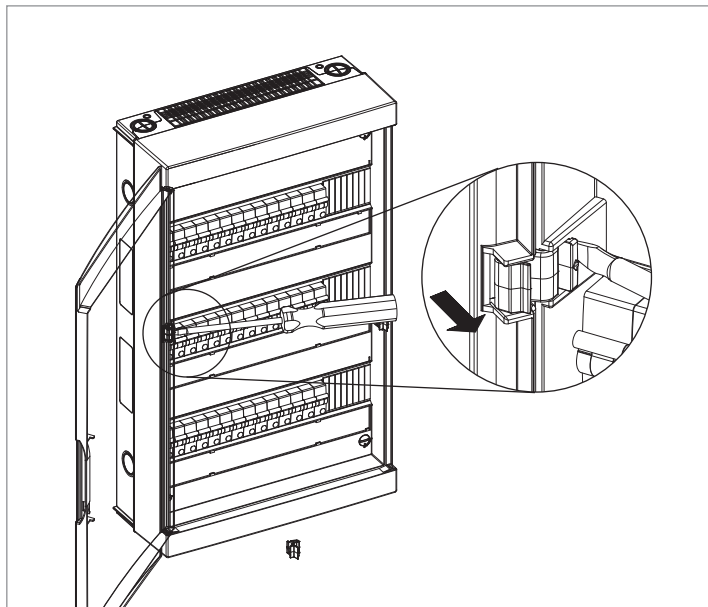
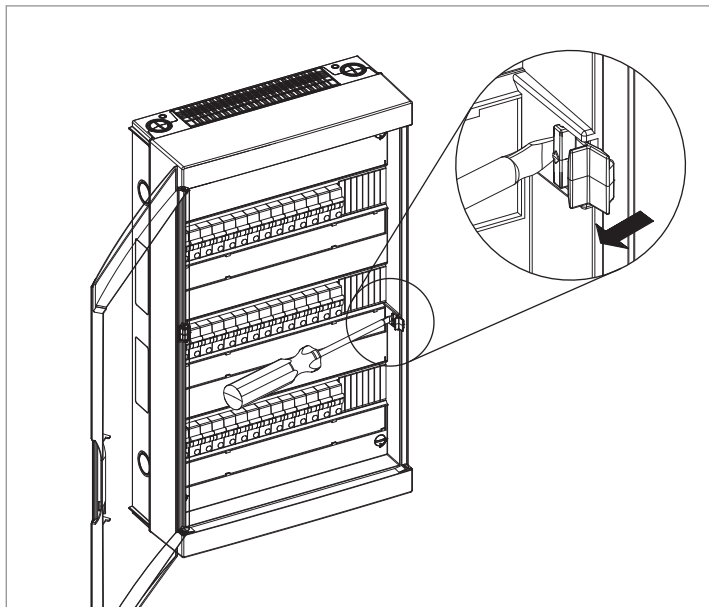


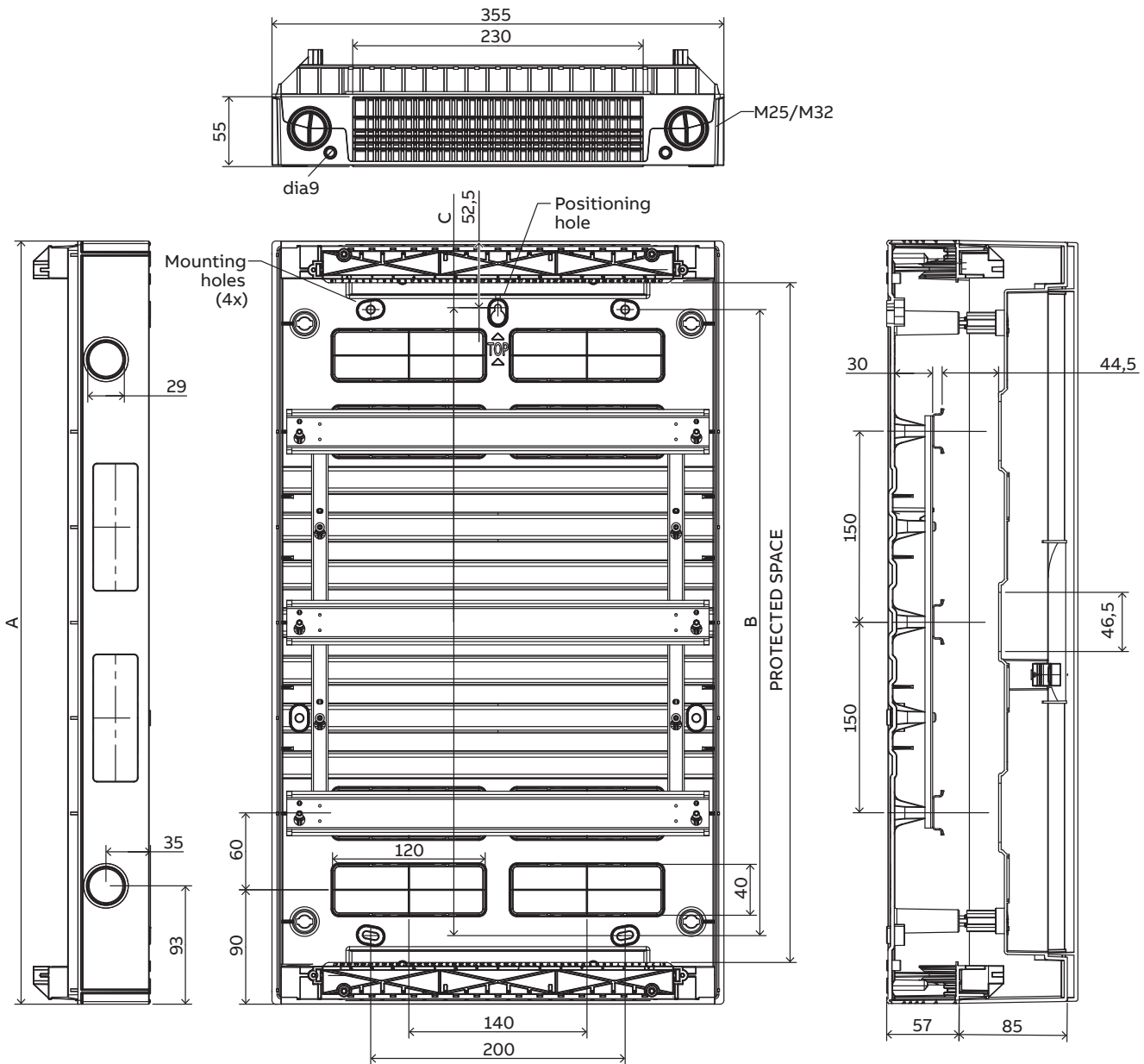


FORTPES18
FORTPES14
FRTL2SC
FORTLLLNS

Max. 0,53Nm
⊕ PZ2 - Ø3,5x16







Fix-O-Rail 150 Dimensions / Properties

| Type | In (A) | Un(A) | A | B | C |
|---------------|--------|---------|-----|-----|-----|
| 18 mod. 1 row | 80 | 240/415 | 270 | 162 | 163 |
| 36 mod. 2 row | 80 | 240/415 | 450 | 342 | 343 |
| 54 mod. 3 row | 100 | 240/415 | 600 | 492 | 493 |
| 72 mod. 4 row | 100 | 240/415 | 750 | 642 | 643 |

Earth Terminals

| Type | 1.5-2.5mm ² | 2.5-25mm ² |
|---------------|------------------------|-----------------------|
| 18 mod. 1 row | 8 | 2 |
| 36 mod. 2 row | 17 | 5 |
| 54 mod. 3 row | 23 | 7 |
| 72 mod. 4 row | 37 | 11 |

Interface characteristics acc. IEC/EN 61439-3

| | | | |
|---|------------------|---------------------------------------|------------|
| Rated operational frequency (fn) | 50Hz | Intended location | Indoor |
| Rated operational voltage (Ue) | 240/415V | EMC environment | 2 |
| Rated insulation voltage (Ui) | 440V | Type of construction | Fixed |
| Rated impulse withstands voltage (Uimp) | 4kV | Type of material | Insulating |
| Rated short-circuit withstand strength (Icw) | 10kA-1s | Method of fixing | Flush |
| Rated conditional short-circuit current (Icc) | 10kA | Provided with lifting means | No |
| IP | IP40 | Metal elements inside protected space | Yes |
| IK | IK08 | Service conditions | Normal |
| Ambient Air Temperature | -5°C up to +40°C | Type of DBO | Type B |
| Pollution degree | 2 | | |

