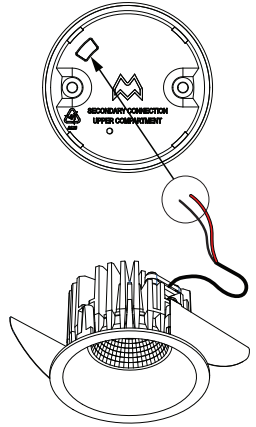
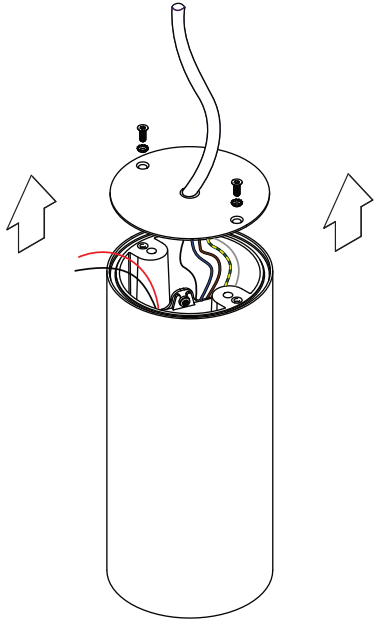


Smart surface tubed suspension 82 XL LED GI

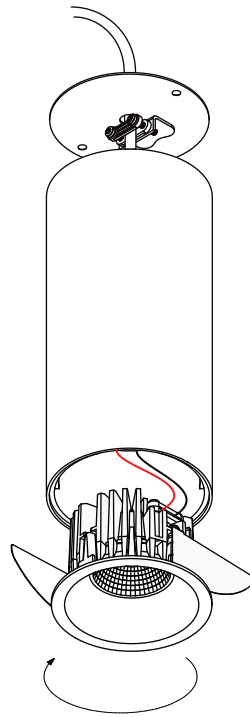
128422XX_128423XX_128424XX

VISUALIZATION WITH 'SMART CAKE'
READ 'CAN BE USED WITH' FOR ALL
OTHER USEFUL 'SMART' PRODUCTS
'SMART 82 GE' FIXTURE NOT INCLUDED

Open 'SMART TUBED' cover

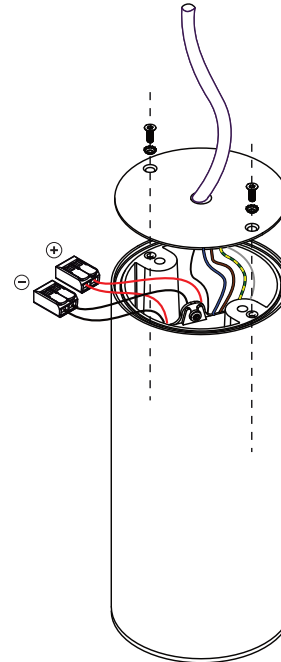


Disconnect fixture connectors
and pull wires through opening



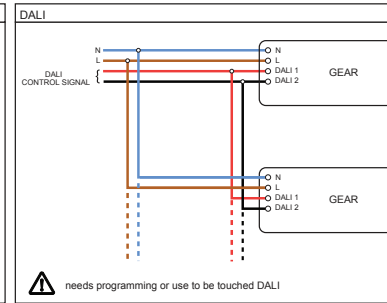
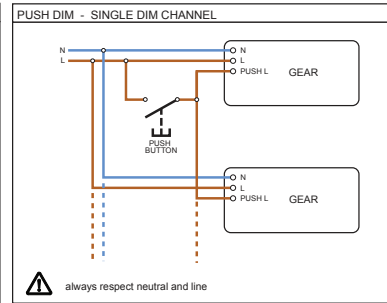
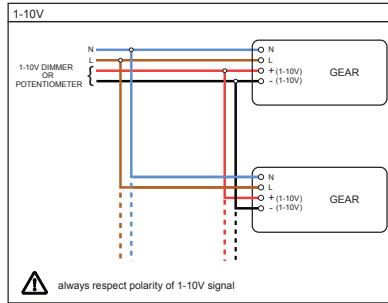
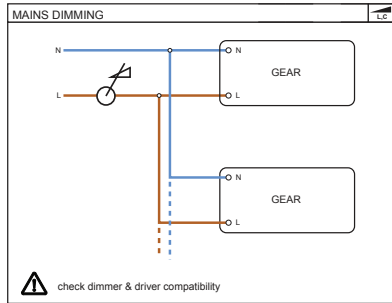
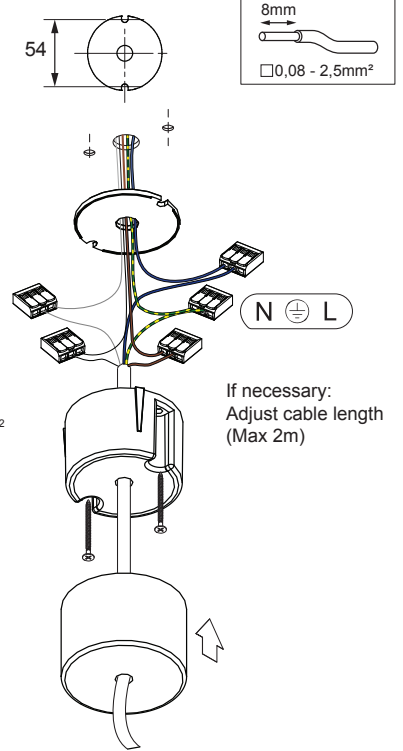
install : Twist clockwise
uninstall : Twist counterclockwise

Connect fixture (+ dim wires) and
close tube cover (re-use included
toothed washers & screws)



Only for '128423XX':
CONNECT 1-10V/PD
wires :

- 1-10V
red = + = grey
black = - = black
- PUSH
grey = Ls = grey



CAN BE USED WITH

- 12411XXX - Smart Cake 82 LED GE
- 12412XXX - Smart Cake 82 IP54 LED GE*
- 12441XXX - Smart Lotis 82 LED GE
- 12442XXX - Smart Lotis 82 IP54 LED GE*
- 12471XXX - Smart Kup 82 LED GE
- 12472XXX - Smart Kup 82 IP54 LED GE*

*Combined with 'Tube suspension' IP54 drops down to IP20

220-230V
50-60Hz

↑

L, C DALI PUSH 1-10V IP 20

CE