
COSMOS Led Wall fixture

Description


Wall light for outdoor use.

For uplighting and downlighting. Includes 2 reflectors. Suitable for installation in marine environments. Structure material: Aluminium. Structure finish: Urban grey. Diffuser material: Glass. Diffuser finish: Transparent. UV protection. Warranty: 5 Years.



Finish
Urban grey
Transparent

Material
Aluminium
Glass

 IP55 IK06  15°  6

TECHNICAL CHARACTERISTICS**Light source**

Light source: LED CREE
Output (W): 21W
Total power consumption (W): 24.5 W
Color temperature: Warm White - 3000K
CRI: 80
Photobiological risk: RG1
Real Lumen: 1823
Qty Leds: 2
Lm/Real W: 74
Life Time: 60.000h L80B20
Bin / Grup: 30H
MacAdam steps: 2
UGR: 5.9

GEAR

Brand: EAGLERISE
Gear included: Yes, electronic
Voltage / Frequency:
100-240Vac/50-60Hz
Power Factor: 0.90
Flickering: -

Luminaire

Double cable exit: No
Seaside: Yes
Cable meters included: -
Uv Protection: Yes
Warranty: 5 Years

Logistics

Energy Efficiency: LED A++
EAN Code: 8435381461997
Net Weight (Kg): 1.999
Weight in Kg (packaged): 2.319
Packing: 280 x 125 x 140
Masterbox: 6

The photograph may not match the reference exactly. Please read the product description to identify the finish.

Luminaire

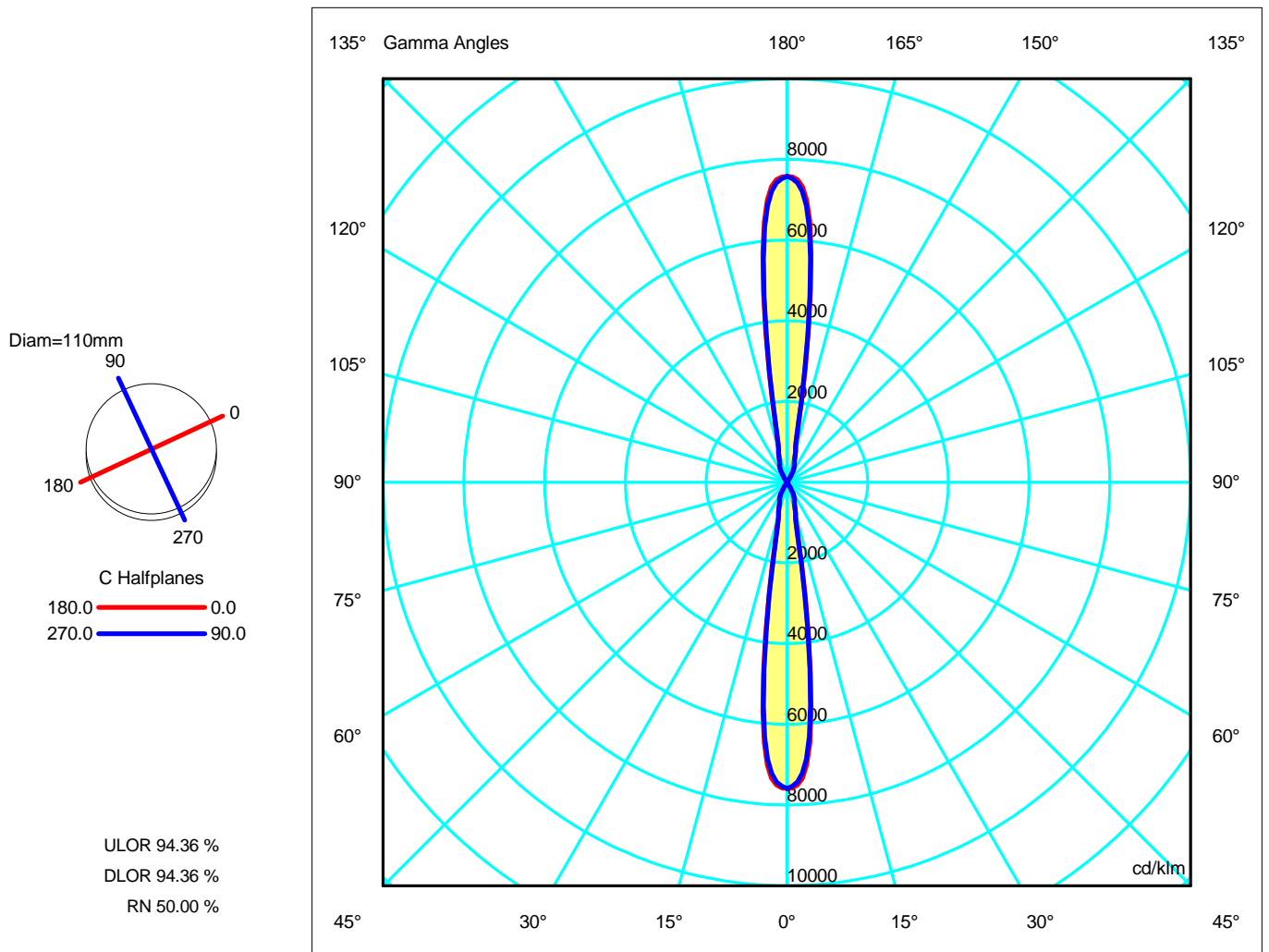
Code 05-9955-Z5-CL-15°
 Name Aplique led COSMOS 23W 15°(1)

Measur.

Code 05-9955-Z5-CL-15°
 Name Aplique led COSMOS 23W 15°(1)

Luminaire Flux	3440.92 lm	Luminaire Power	25.42 W	Efficacy	135.36 lm/W	Efficiency	188.72%
Lamps Flux	1823.33 lm	Maximum value	7585.01 cd/klm	Position	C=0.00 G=0.00	CG	Asymmetrical
Round Luminaire Round Luminous Area		Diam. Diam.	110 mm 60 mm	Height Height	211 mm 0 mm		
Horizontal Luminous Area Emitting area on Plane 0° Emitting area on Plane 90°		0.002827 m2 0.000000 m2 0.000000 m2		Emitting area on Plane 180° Emitting area on Plane 270° Glare area at 76°		0.000000 m2 0.000000 m2 0.000684 m2	
Coordinate system Date Measurement Distance		CG 13-04-2017 0.00		Symmetry Type Maximum Gamma Angle Measurement Flux		Asymmetrical 180 1823.33 lm	
Operator Temperature Humidity Notes		Asselum T2 25.00 °C 60.00 %		Source Voltage [V] Source current [A] Photocell			

Line	Code	Luminaire Lamps Name	Flux [lm]	Pow. [W]	Q.ty
	05-9955-Z5-CL-15°	05-9955-Z5-CL-15°	1823.33	25.42	1
C.I.E. F UTE	99 99 100 50 189 --	D DIN 5040 B NBN	C61 BZ 1		



Luminaire

Code 05-9955-Z5-CL-15°
 Name Aplique led COSMOS 23W 15°(1)

Measur.

Code 05-9955-Z5-CL-15°
 Name Aplique led COSMOS 23W 15°(1)

Luminaire Flux	3440.92 lm	Luminaire Power	25.42 W	Efficacy	135.36 lm/W	Efficiency	188.72%
Lamps Flux	1823.33 lm	Maximum value	7585.01 cd/klm	Position	C=0.00 G=0.00	CG	Asymmetrical

Luminous Intensity Table cd/klm Table 6/18

	C 325.00	C 330.00	C 335.00	C 340.00	C 345.00	C 350.00	C 355.00
G 0.0	7585.01	7585.01	7585.01	7585.01	7585.01	7585.01	7585.01
G 1.0	7564.04	7564.02	7494.21	7414.50	7369.67	7392.63	7468.72
G 2.0	7492.20	7492.89	7371.42	7232.50	7154.33	7194.38	7327.08
G 3.0	7318.62	7321.48	7184.64	7027.51	6938.99	6984.39	7134.77
G 4.0	6992.44	6999.64	6901.87	6788.07	6723.65	6756.77	6866.43
G 5.0	6463.65	6477.23	6491.12	6502.66	6508.31	6505.66	6496.73
G 6.0	5707.11	5728.75	5737.54	5736.69	5731.89	5727.78	5724.81
G 7.0	4796.67	4827.29	4816.11	4804.93	4793.76	4788.05	4793.10
G 8.0	3831.78	3870.56	3864.14	3830.72	3799.25	3792.13	3805.61
G 9.0	2911.85	2956.30	2942.93	2895.97	2853.72	2845.70	2866.34
G 10.0	2136.32	2182.23	2164.42	2110.20	2062.52	2054.42	2079.32
G 11.0	1579.85	1621.92	1603.33	1550.40	1504.48	1497.33	1522.43
G 12.0	1218.11	1252.37	1235.93	1190.98	1152.41	1146.99	1169.06
G 13.0	1002.02	1026.42	1013.88	980.72	952.63	949.31	966.48
G 14.0	882.49	896.92	888.85	868.38	851.44	850.21	861.95
G 15.0	810.44	816.72	812.52	802.74	795.15	795.64	802.74
G 16.0	745.50	746.89	745.06	741.77	739.85	741.38	745.68
G 17.0	682.11	681.47	680.71	680.26	680.79	682.77	685.85
G 18.0	623.45	622.73	622.20	622.16	623.02	625.03	627.91
G 19.0	572.68	572.93	572.48	572.03	571.57	573.38	576.51
G 20.0	532.96	534.34	533.68	532.15	531.50	533.03	536.30
G 21.0	506.08	508.03	507.82	506.58	505.99	507.31	510.17
G 22.0	488.27	490.21	490.80	490.70	490.86	492.02	494.02
G 23.0	474.38	475.91	477.42	478.83	480.07	481.10	481.95
G 24.0	459.25	460.14	462.43	465.31	467.61	468.44	468.10
G 25.0	437.72	437.92	440.63	444.48	447.44	447.99	446.60
G 26.0	405.98	405.58	408.17	412.15	415.12	415.27	413.14
G 27.0	365.53	364.66	366.70	370.10	372.54	372.24	369.74
G 28.0	319.18	318.01	319.24	321.62	323.20	322.51	319.98
G 29.0	269.78	268.49	268.82	269.97	270.59	269.65	267.45
G 30.0	220.15	218.93	218.47	218.43	218.19	217.24	215.74
G 31.0	172.88	171.94	170.90	169.93	169.09	168.45	167.96
G 32.0	129.57	129.03	127.65	126.02	124.86	124.73	125.41
G 33.0	90.94	91.47	89.95	87.91	86.64	87.09	88.90
G 34.0	60.25	60.53	59.00	56.81	55.59	56.55	59.26
G 35.0	36.96	37.47	36.06	33.94	32.86	34.15	37.31
G 36.0	32.36	32.87	32.13	30.61	29.06	28.07	27.57
G 37.0	27.89	28.27	27.89	26.82	25.26	23.41	21.38
G 38.0	23.50	23.67	23.42	22.68	21.45	19.76	17.73
G 39.0	19.18	19.08	18.81	18.34	17.65	16.73	15.65
G 40.0	14.87	14.48	14.15	13.93	13.85	13.93	14.12
G 41.0	13.75	13.39	13.05	12.80	12.75	12.96	13.36
G 42.0	12.62	12.31	11.97	11.72	11.65	11.87	12.29
G 43.0	11.48	11.22	10.92	10.65	10.56	10.71	11.05
G 44.0	10.34	10.14	9.86	9.59	9.46	9.53	9.77
G 45.0	9.20	9.05	8.80	8.53	8.36	8.39	8.58
G 46.0	8.07	7.96	7.69	7.39	7.22	7.29	7.55
G 47.0	7.31	7.27	7.02	6.74	6.59	6.66	6.91
G 48.0	6.93	6.88	6.66	6.43	6.30	6.35	6.55
G 49.0	6.80	6.66	6.47	6.30	6.20	6.23	6.35
G 50.0	6.66	6.50	6.35	6.22	6.15	6.15	6.20
G 51.0	6.48	6.31	6.17	6.08	6.02	6.00	6.01
G 52.0	6.24	6.08	5.95	5.86	5.81	5.80	5.80
G 53.0	5.98	5.84	5.71	5.62	5.56	5.54	5.55
G 54.0	5.71	5.59	5.47	5.37	5.30	5.29	5.32
G 55.0	5.46	5.37	5.26	5.15	5.08	5.08	5.12
G 56.0	5.25	5.19	5.09	4.98	4.92	4.92	4.98
G 57.0	5.08	5.03	4.95	4.86	4.81	4.81	4.87
G 58.0	4.93	4.89	4.83	4.76	4.72	4.73	4.78
G 59.0	4.79	4.76	4.72	4.67	4.64	4.66	4.70
G 60.0	4.65	4.63	4.60	4.56	4.55	4.56	4.60
G 61.0	4.50	4.48	4.45	4.43	4.42	4.44	4.47
G 62.0	4.33	4.32	4.29	4.27	4.26	4.28	4.31
G 63.0	4.15	4.13	4.11	4.08	4.07	4.09	4.12
G 64.0	3.94	3.93	3.90	3.88	3.87	3.88	3.91
G 65.0	3.72	3.71	3.68	3.66	3.64	3.65	3.68
G 66.0	3.47	3.46	3.45	3.42	3.41	3.42	3.43
G 67.0	3.20	3.21	3.20	3.18	3.17	3.17	3.18
G 68.0	2.93	2.94	2.94	2.93	2.93	2.92	2.91
G 69.0	2.65	2.67	2.68	2.68	2.68	2.66	2.64
G 70.0	2.38	2.41	2.42	2.43	2.42	2.41	2.38
G 71.0	2.13	2.15	2.17	2.17	2.17	2.16	2.13
G 72.0	1.89	1.90	1.92	1.92	1.92	1.91	1.89

Luminaire

Code 05-9955-Z5-CL-15°
Name Aplique led COSMOS 23W 15°(1)

Measur.

Code 05-9955-Z5-CL-15°
Name Aplique led COSMOS 23W 15°(1)

Luminaire Flux	3440.92 lm	Luminaire Power	25.42 W	Efficacy	135.36 lm/W	Efficiency	188.72%
Lamps Flux	1823.33 lm	Maximum value	7585.01 cd/klm	Position	C=0.00 G=0.00	CG	Asymmetrical

Luminous Intensity Table cd/klm Table 12/18

	C 325.00	C 330.00	C 335.00	C 340.00	C 345.00	C 350.00	C 355.00
G 73.0	1.65	1.66	1.67	1.67	1.67	1.66	1.65
G 74.0	1.42	1.43	1.42	1.42	1.42	1.42	1.42
G 75.0	1.19	1.19	1.19	1.18	1.17	1.17	1.18
G 76.0	0.96	0.96	0.95	0.94	0.93	0.93	0.95
G 77.0	0.74	0.74	0.73	0.71	0.70	0.71	0.72
G 78.0	0.54	0.54	0.53	0.51	0.50	0.50	0.51
G 79.0	0.37	0.38	0.37	0.35	0.33	0.33	0.34
G 80.0	0.24	0.25	0.24	0.23	0.21	0.21	0.22
G 81.0	0.23	0.24	0.23	0.21	0.20	0.20	0.21
G 82.0	0.21	0.22	0.21	0.20	0.19	0.19	0.20
G 83.0	0.20	0.20	0.20	0.19	0.18	0.18	0.18
G 84.0	0.18	0.19	0.18	0.18	0.18	0.17	0.17
G 85.0	0.17	0.17	0.17	0.17	0.17	0.17	0.16
G 86.0	0.17	0.17	0.17	0.17	0.17	0.16	0.16
G 87.0	0.16	0.16	0.16	0.16	0.17	0.16	0.16
G 88.0	0.16	0.16	0.16	0.16	0.16	0.16	0.16
G 89.0	0.16	0.16	0.16	0.16	0.16	0.16	0.16
G 90.0	0.31	0.30	0.31	0.32	0.32	0.32	0.31
G 91.0	0.16	0.16	0.16	0.16	0.16	0.16	0.16
G 92.0	0.16	0.16	0.16	0.16	0.16	0.16	0.16
G 93.0	0.16	0.16	0.16	0.16	0.17	0.16	0.16
G 94.0	0.17	0.17	0.17	0.17	0.17	0.16	0.16
G 95.0	0.17	0.17	0.17	0.17	0.17	0.17	0.16
G 96.0	0.18	0.19	0.18	0.18	0.18	0.17	0.17
G 97.0	0.20	0.20	0.20	0.19	0.18	0.18	0.18
G 98.0	0.21	0.22	0.21	0.20	0.19	0.19	0.20
G 99.0	0.23	0.24	0.23	0.21	0.20	0.20	0.21
G100.0	0.24	0.25	0.24	0.23	0.21	0.21	0.22
G101.0	0.37	0.38	0.37	0.35	0.33	0.33	0.34
G102.0	0.54	0.54	0.53	0.51	0.50	0.50	0.51
G103.0	0.74	0.74	0.73	0.71	0.70	0.71	0.72
G104.0	0.96	0.96	0.95	0.94	0.93	0.93	0.95
G105.0	1.19	1.19	1.19	1.18	1.17	1.17	1.18
G106.0	1.42	1.43	1.42	1.42	1.42	1.42	1.42
G107.0	1.65	1.66	1.67	1.67	1.67	1.66	1.65
G108.0	1.89	1.90	1.92	1.92	1.92	1.91	1.89
G109.0	2.13	2.15	2.17	2.17	2.17	2.16	2.13
G110.0	2.38	2.41	2.42	2.43	2.42	2.41	2.38
G111.0	2.65	2.67	2.68	2.68	2.68	2.66	2.64
G112.0	2.93	2.94	2.94	2.93	2.93	2.92	2.91
G113.0	3.20	3.21	3.20	3.18	3.17	3.17	3.18
G114.0	3.47	3.46	3.45	3.42	3.41	3.42	3.43
G115.0	3.72	3.71	3.68	3.66	3.64	3.65	3.68
G116.0	3.94	3.93	3.90	3.88	3.87	3.88	3.91
G117.0	4.15	4.13	4.11	4.08	4.07	4.09	4.12
G118.0	4.33	4.32	4.29	4.27	4.26	4.28	4.31
G119.0	4.50	4.48	4.45	4.43	4.42	4.44	4.47
G120.0	4.65	4.63	4.60	4.56	4.55	4.56	4.60
G121.0	4.79	4.76	4.72	4.67	4.64	4.66	4.70
G122.0	4.93	4.89	4.83	4.76	4.72	4.73	4.78
G123.0	5.08	5.03	4.95	4.86	4.81	4.81	4.87
G124.0	5.25	5.19	5.09	4.98	4.92	4.92	4.98
G125.0	5.46	5.37	5.26	5.15	5.08	5.08	5.12
G126.0	5.71	5.59	5.47	5.37	5.30	5.29	5.32
G127.0	5.98	5.84	5.71	5.62	5.56	5.54	5.55
G128.0	6.24	6.08	5.95	5.86	5.81	5.80	5.80
G129.0	6.48	6.31	6.17	6.08	6.02	6.00	6.01
G130.0	6.66	6.50	6.35	6.22	6.15	6.15	6.20
G131.0	6.80	6.66	6.47	6.30	6.20	6.23	6.35
G132.0	6.93	6.88	6.66	6.43	6.30	6.35	6.55
G133.0	7.31	7.27	7.02	6.74	6.59	6.66	6.91
G134.0	8.07	7.96	7.69	7.39	7.22	7.29	7.55
G135.0	9.20	9.05	8.80	8.53	8.36	8.39	8.58
G136.0	10.34	10.14	9.86	9.59	9.46	9.53	9.77
G137.0	11.48	11.22	10.92	10.65	10.56	10.71	11.05
G138.0	12.62	12.31	11.97	11.72	11.65	11.87	12.29
G139.0	13.75	13.39	13.05	12.80	12.75	12.96	13.36
G140.0	14.87	14.48	14.15	13.93	13.85	13.93	14.12
G141.0	19.18	19.08	18.81	18.34	17.65	16.73	15.65
G142.0	23.50	23.67	23.42	22.68	21.45	19.76	17.73
G143.0	27.89	28.27	27.89	26.82	25.26	23.41	21.38
G144.0	32.36	32.87	32.13	30.61	29.06	28.07	27.57
G145.0	36.96	37.47	36.06	33.94	32.86	34.15	37.31

Luminaire

Code 05-9955-Z5-CL-15°
Name Aplique led COSMOS 23W 15°(1)

Measurerm.

Code 05-9955-Z5-CL-15°
Name Aplique led COSMOS 23W 15°(1)

Luminaire Flux	3440.92 lm	Luminaire Power	25.42 W	Efficacy	135.36 lm/W	Efficiency	188.72%
Lamps Flux	1823.33 lm	Maximum value	7585.01 cd/klm	Position	C=0.00 G=0.00	CG	Asymmetrical

Luminous Intensity Table cd/klm Table 13/18

	C 0.00	C 5.00	C 10.00	C 15.00	C 20.00	C 25.00	C 30.00	C 35.00	C 40.00	C 45.00	C 50.00	C 55.00	C 60.00
G146.0	62.83	59.26	56.55	55.59	56.81	59.00	60.53	60.25	59.00	58.14	58.56	59.44	59.50
G147.0	91.39	88.90	87.09	86.64	87.91	89.95	91.47	90.94	90.41	89.87	89.60	89.64	89.53
G148.0	126.49	125.41	124.73	124.86	126.02	127.65	129.03	129.57	129.33	128.55	127.48	126.54	126.18
G149.0	167.54	167.96	168.45	169.09	169.93	170.90	171.94	172.88	173.31	172.71	170.92	169.00	168.35
G150.0	213.94	215.74	217.24	218.19	218.43	218.47	218.93	220.15	221.23	220.93	218.61	215.88	214.94
G151.0	264.63	267.45	269.65	270.59	269.97	268.82	268.49	269.78	271.40	271.49	268.95	265.73	264.50
G152.0	316.54	319.98	322.51	323.20	321.62	319.24	318.01	319.18	321.15	321.62	319.13	315.70	314.22
G153.0	366.13	369.74	372.24	372.54	370.10	366.70	364.66	365.53	367.57	368.28	366.00	362.64	360.97
G154.0	409.88	413.14	415.27	415.12	412.15	408.17	405.58	405.98	407.74	408.44	406.46	403.38	401.60
G155.0	444.24	446.60	447.99	447.44	444.48	440.63	437.92	437.72	438.75	439.07	437.36	434.74	432.97
G156.0	467.17	468.10	468.44	467.61	465.31	462.43	460.14	459.25	459.08	458.60	457.09	455.09	453.44
G157.0	482.72	481.95	481.10	480.07	478.83	477.42	475.91	474.38	472.88	471.45	470.12	468.80	467.38
G158.0	496.42	494.02	492.02	490.86	490.70	490.80	490.21	488.27	485.69	483.50	482.40	481.77	480.66
G159.0	513.81	510.17	507.31	505.99	506.58	507.82	508.03	506.08	503.08	500.65	499.92	499.91	499.14
G160.0	540.44	536.30	533.03	531.50	532.15	533.68	534.34	532.96	530.58	528.77	528.75	528.73	528.71
G161.0	580.30	576.51	573.38	571.57	572.03	572.48	572.93	572.68	572.03	571.81	572.34	572.88	573.41
G162.0	631.22	627.91	625.03	623.02	622.16	622.20	622.73	623.45	624.43	625.84	627.69	629.34	630.01
G163.0	689.49	685.85	682.77	680.79	680.26	680.71	681.47	682.11	683.06	684.98	688.17	691.50	693.44
G164.0	751.37	745.68	741.38	739.85	741.77	745.06	746.89	745.50	743.20	743.36	748.08	754.53	758.67
G165.0	813.15	802.74	795.64	795.15	802.74	812.52	816.72	810.44	800.14	795.09	801.48	813.10	820.62
G166.0	880.17	861.95	850.21	851.44	868.38	888.85	896.92	882.49	858.68	844.40	852.49	871.44	883.65
G167.0	993.90	966.48	949.31	952.63	980.72	1013.88	1026.42	1002.02	961.71	935.88	945.31	972.31	989.62
G168.0	1204.88	1169.06	1146.99	1152.41	1190.98	1235.93	1252.37	1218.11	1161.67	1124.26	1134.17	1168.10	1189.84
G169.0	1563.64	1522.43	1497.33	1504.48	1550.40	1603.33	1621.92	1579.85	1510.98	1464.24	1473.32	1511.18	1535.56
G170.0	2120.71	2079.32	2054.42	2062.52	2110.20	2164.42	2182.23	2136.32	2062.07	2010.51	2016.97	2053.91	2078.08
G171.0	2901.31	2866.34	2845.70	2853.72	2895.97	2942.93	2956.30	2911.85	2841.52	2791.26	2793.09	2823.13	2843.53
G172.0	3829.38	3805.61	3792.13	3799.25	3830.72	3864.14	3870.56	3831.78	3772.58	3728.50	3724.51	3743.42	3757.50
G173.0	4803.54	4793.10	4788.05	4793.76	4804.93	4816.11	4827.29	4796.67	4752.69	4717.70	4718.62	4719.54	4720.46
G174.0	5722.43	5724.81	5727.78	5731.89	5736.69	5737.54	5728.75	5707.11	5679.27	5654.35	5647.19	5640.02	5632.85
G175.0	6484.66	6496.73	6505.66	6508.31	6502.66	6491.12	6477.23	6463.65	6449.73	6433.93	6416.05	6401.04	6395.14
G176.0	7014.36	6866.43	6756.77	6723.65	6788.07	6901.87	6999.64	6992.44	6985.25	6978.06	6949.26	6933.89	6932.70
G177.0	7337.64	7134.77	6984.39	6938.99	7027.51	7184.64	7321.48	7318.62	7315.77	7312.91	7282.86	7269.37	7270.53
G178.0	7506.11	7327.08	7194.38	7154.33	7232.50	7371.42	7492.89	7492.20	7491.50	7490.81	7466.75	7456.82	7458.57
G179.0	7571.36	7468.72	7392.63	7369.67	7414.50	7494.21	7564.02	7564.04	7564.05	7564.07	7558.30	7552.53	7546.76
G180.0	7585.01	7585.01	7585.01	7585.01	7585.01	7585.01	7585.01	7585.01	7585.01	7585.01	7585.01	7585.01	7585.01

Luminaire

Code 05-9955-Z5-CL-15°
Name Aplique led COSMOS 23W 15°(1)

Measurerm.

Code 05-9955-Z5-CL-15°
Name Aplique led COSMOS 23W 15°(1)

Luminaire Flux	3440.92 lm	Luminaire Power	25.42 W	Efficacy	135.36 lm/W	Efficiency	188.72%
Lamps Flux	1823.33 lm	Maximum value	7585.01 cd/klm	Position	C=0.00 G=0.00	CG	Asymmetrical

Luminous Intensity Table cd/klm Table 14/18

	C 65.00	C 70.00	C 75.00	C 80.00	C 85.00	C 90.00	C 95.00	C 100.00	C 105.00	C 110.00	C 115.00	C 120.00	C 125.00
G146.0	57.91	55.60	53.96	54.02	55.44	57.55	55.44	54.02	53.96	55.60	57.91	59.50	59.44
G147.0	88.91	88.10	87.56	87.62	88.18	88.97	88.18	87.62	87.56	88.10	88.91	89.53	89.64
G148.0	126.67	127.58	128.29	128.34	127.85	127.09	127.85	128.34	128.29	127.58	126.67	126.18	126.54
G149.0	169.87	172.40	174.28	174.26	172.70	170.37	172.70	174.26	174.28	172.40	169.87	168.35	169.00
G150.0	217.19	220.91	223.63	223.46	220.96	217.30	220.96	223.46	223.63	220.91	217.19	214.94	215.88
G151.0	267.01	271.26	274.29	273.88	270.71	266.14	270.71	273.88	274.29	271.26	267.01	264.50	265.73
G152.0	316.58	320.72	323.59	322.91	319.35	314.36	319.35	322.91	323.59	320.72	316.58	314.22	315.70
G153.0	362.84	366.36	368.71	367.75	364.14	359.19	364.14	367.75	368.71	366.36	362.84	360.97	362.64
G154.0	402.74	405.25	406.80	405.65	402.30	397.86	402.30	405.65	406.80	405.25	402.74	401.60	403.38
G155.0	433.22	434.45	435.05	433.81	431.09	427.62	431.09	433.81	435.05	434.45	433.22	432.97	434.74
G156.0	452.75	452.55	452.15	451.00	449.23	447.16	449.23	451.00	452.15	452.55	452.75	453.44	455.09
G157.0	465.81	464.26	462.95	462.01	461.38	460.89	461.38	462.01	462.95	464.26	465.81	467.38	468.80
G158.0	478.44	475.81	473.81	473.19	473.68	474.71	473.68	473.19	473.81	475.81	478.44	480.66	481.77
G159.0	496.62	493.42	491.11	490.86	492.26	494.49	492.26	490.86	491.11	493.42	496.62	499.14	499.91
G160.0	526.39	523.32	521.22	521.36	523.28	526.10	523.28	521.36	521.22	523.32	526.39	528.71	528.73
G161.0	571.81	569.61	568.24	568.73	570.71	573.42	570.71	568.73	568.24	569.61	571.81	573.41	572.88
G162.0	629.23	627.86	627.11	627.88	629.85	632.42	629.85	627.88	627.11	627.86	629.23	630.01	629.34
G163.0	693.05	691.51	690.53	691.43	693.86	697.05	693.86	691.43	690.53	691.51	693.05	693.44	691.50
G164.0	757.70	753.98	751.16	752.01	755.89	761.28	755.89	752.01	751.16	753.98	757.70	758.67	754.53
G165.0	817.57	808.72	801.67	802.24	809.09	819.06	809.09	802.24	801.67	808.72	817.57	820.62	813.10
G166.0	876.76	859.39	845.41	845.40	856.90	874.14	856.90	845.40	845.41	859.39	876.76	883.65	871.44
G167.0	978.02	950.54	928.28	927.36	943.99	969.40	943.99	927.36	928.28	950.54	978.02	989.62	972.31
G168.0	1173.80	1136.95	1106.87	1104.65	1125.34	1157.47	1125.34	1104.65	1106.87	1136.95	1173.80	1189.84	1168.10
G169.0	1516.53	1473.40	1437.76	1433.79	1455.89	1491.03	1455.89	1433.79	1437.76	1473.40	1516.53	1535.56	1511.18
G170.0	2058.66	2014.66	1977.52	1971.30	1990.62	2022.71	1990.62	1971.30	1977.52	2014.66	2058.66	2078.08	2053.91
G171.0	2827.07	2789.12	2755.70	2746.79	2758.23	2779.84	2758.23	2746.79	2755.70	2789.12	2827.07	2843.53	2823.13
G172.0	3746.43	3719.60	3693.82	3692.03	3690.23	3688.44	3690.23	3692.03	3693.82	3719.60	3746.43	3757.50	3743.42
G173.0	4715.89	4702.53	4686.36	4672.20	4660.16	4649.18	4660.16	4672.20	4686.36	4702.53	4715.89	4720.46	4719.54
G174.0	5631.17	5629.49	5627.80	5612.00	5589.14	5562.75	5589.14	5612.00	5627.80	5629.49	5631.17	5632.85	5640.02
G175.0	6401.57	6411.39	6412.63	6396.45	6366.56	6329.82	6366.56	6396.45	6412.63	6411.39	6401.57	6395.14	6401.04
G176.0	6944.21	6958.07	6961.66	6945.75	6914.61	6875.84	6914.61	6945.75	6961.66	6958.07	6944.21	6932.70	6933.89
G177.0	7282.89	7296.78	7300.98	7287.33	7259.75	7225.20	7259.75	7287.33	7300.98	7296.78	7282.89	7270.53	7269.37
G178.0	7468.58	7479.51	7483.04	7473.11	7452.71	7427.07	7452.71	7473.11	7483.04	7479.51	7468.58	7458.57	7456.82
G179.0	7552.29	7558.26	7560.24	7555.03	7544.22	7530.62	7544.22	7555.03	7560.24	7558.26	7552.29	7546.76	7552.53
G180.0	7585.01	7585.01	7585.01	7585.01	7585.01	7585.01	7585.01	7585.01	7585.01	7585.01	7585.01	7585.01	7585.01

Luminaire

Code 05-9955-Z5-CL-15°
Name Aplique led COSMOS 23W 15°(1)

Measurerm.

Code 05-9955-Z5-CL-15°
Name Aplique led COSMOS 23W 15°(1)

Luminaire Flux	3440.92 lm	Luminaire Power	25.42 W	Efficacy	135.36 lm/W	Efficiency	188.72%
Lamps Flux	1823.33 lm	Maximum value	7585.01 cd/klm	Position	C=0.00 G=0.00	CG	Asymmetrical

Luminous Intensity Table cd/klm Table 15/18

	C 130.00	C 135.00	C 140.00	C 145.00	C 150.00	C 155.00	C 160.00	C 165.00	C 170.00	C 175.00	C 180.00	C 185.00	C 190.00
G146.0	58.56	58.14	59.00	60.25	60.53	59.00	56.81	55.59	56.55	59.26	62.83	59.26	56.55
G147.0	89.60	89.87	90.41	90.94	91.47	89.95	87.91	86.64	87.09	88.90	91.39	88.90	87.09
G148.0	127.48	128.55	129.33	129.57	129.03	127.65	126.02	124.86	124.73	125.41	126.49	125.41	124.73
G149.0	170.92	172.71	173.31	172.88	171.94	170.90	169.93	169.09	168.45	167.96	167.54	167.96	168.45
G150.0	218.61	220.93	221.23	220.15	218.93	218.47	218.43	218.19	217.24	215.74	213.94	215.74	217.24
G151.0	268.95	271.49	271.40	269.78	268.49	268.82	269.97	270.59	269.65	267.45	264.63	267.45	269.65
G152.0	319.13	321.62	321.15	319.18	318.01	319.24	321.62	323.20	322.51	319.98	316.54	319.98	322.51
G153.0	366.00	368.28	367.57	365.53	364.66	366.70	370.10	372.54	372.24	369.74	366.13	369.74	372.24
G154.0	406.46	408.44	407.74	405.98	405.58	408.17	412.15	415.12	415.27	413.14	409.88	413.14	415.27
G155.0	437.36	439.07	438.75	437.72	437.92	440.63	444.48	447.44	447.99	446.60	444.24	446.60	447.99
G156.0	457.09	458.60	459.08	459.25	460.14	462.43	465.31	467.61	468.44	468.10	467.17	468.10	468.44
G157.0	470.12	471.45	472.88	474.38	475.91	477.42	478.83	480.07	481.10	481.95	482.72	481.95	481.10
G158.0	482.40	483.50	485.69	488.27	490.21	490.80	490.70	490.86	492.02	494.02	496.42	494.02	492.02
G159.0	499.92	500.65	503.08	506.08	508.03	507.82	506.58	505.99	507.31	510.17	513.81	510.17	507.31
G160.0	528.75	528.77	530.58	532.96	534.34	533.68	532.15	531.50	533.03	536.30	540.44	536.30	533.03
G161.0	572.34	571.81	572.03	572.68	572.93	572.48	572.03	571.57	573.38	576.51	580.30	576.51	573.38
G162.0	627.69	625.84	624.43	623.45	622.73	622.20	622.16	623.02	625.03	627.91	631.22	627.91	625.03
G163.0	688.17	684.98	683.06	682.11	681.47	680.71	680.26	680.79	682.77	685.85	689.49	685.85	682.77
G164.0	748.08	743.36	743.20	745.50	746.89	745.06	741.77	739.85	741.38	745.68	751.37	745.68	741.38
G165.0	801.48	795.09	800.14	810.44	816.72	812.52	802.74	795.15	795.64	802.74	813.15	802.74	795.64
G166.0	852.49	844.40	858.68	882.49	896.92	888.85	868.38	851.44	850.21	861.95	880.17	861.95	850.21
G167.0	945.31	935.88	961.71	1002.02	1026.42	1013.88	980.72	952.63	949.31	966.48	993.90	966.48	949.31
G168.0	1134.17	1124.26	1161.67	1218.11	1252.37	1235.93	1190.98	1152.41	1146.99	1169.06	1204.88	1169.06	1146.99
G169.0	1473.32	1464.24	1510.98	1579.85	1621.92	1603.33	1550.40	1504.48	1497.33	1522.43	1563.64	1522.43	1497.33
G170.0	2016.97	2010.51	2062.07	2136.32	2182.23	2164.42	2110.20	2062.52	2054.42	2079.32	2120.71	2079.32	2054.42
G171.0	2793.09	2791.26	2841.52	2911.85	2956.30	2942.93	2895.97	2853.72	2845.70	2866.34	2901.31	2866.34	2845.70
G172.0	3724.51	3728.50	3772.58	3831.78	3870.56	3864.14	3830.72	3799.25	3792.13	3805.61	3829.38	3805.61	3792.13
G173.0	4718.62	4717.70	4752.69	4796.67	4827.29	4816.11	4804.93	4793.76	4788.05	4793.10	4803.54	4793.10	4788.05
G174.0	5647.19	5654.35	5679.27	5707.11	5728.75	5737.54	5736.69	5731.89	5727.78	5724.81	5722.43	5724.81	5727.78
G175.0	6416.05	6433.93	6449.73	6463.65	6477.23	6491.12	6502.66	6508.31	6505.66	6496.73	6484.66	6496.73	6505.66
G176.0	6949.26	6978.06	6985.25	6992.44	6999.64	6901.87	6788.07	6723.65	6756.77	6866.43	7014.36	6866.43	6756.77
G177.0	7282.86	7312.91	7315.77	7318.62	7321.48	7184.64	7027.51	6938.99	6984.39	7134.77	7337.64	7134.77	6984.39
G178.0	7466.75	7490.81	7491.50	7492.20	7492.89	7371.42	7232.50	7154.33	7194.38	7327.08	7506.11	7327.08	7194.38
G179.0	7558.30	7564.07	7564.05	7564.04	7564.02	7494.21	7414.50	7369.67	7392.63	7468.72	7571.36	7468.72	7392.63
G180.0	7585.01	7585.01	7585.01	7585.01	7585.01	7585.01	7585.01	7585.01	7585.01	7585.01	7585.01	7585.01	7585.01

Luminaire

Code 05-9955-Z5-CL-15°
Name Aplique led COSMOS 23W 15°(1)

Measurerm.

Code 05-9955-Z5-CL-15°
Name Aplique led COSMOS 23W 15°(1)

Luminaire Flux	3440.92 lm	Luminaire Power	25.42 W	Efficacy	135.36 lm/W	Efficiency	188.72%
Lamps Flux	1823.33 lm	Maximum value	7585.01 cd/klm	Position	C=0.00 G=0.00	CG	Asymmetrical

Luminous Intensity Table cd/klm Table 16/18

	C 195.00	C 200.00	C 205.00	C 210.00	C 215.00	C 220.00	C 225.00	C 230.00	C 235.00	C 240.00	C 245.00	C 250.00	C 255.00
G146.0	55.59	56.81	59.00	60.53	60.25	59.00	58.14	58.56	59.44	59.50	57.91	55.60	53.96
G147.0	86.64	87.91	89.95	91.47	90.94	90.41	89.87	89.60	89.64	89.53	88.91	88.10	87.56
G148.0	124.86	126.02	127.65	129.03	129.57	129.33	128.55	127.48	126.54	126.18	126.67	127.58	128.29
G149.0	169.09	169.93	170.90	171.94	172.88	173.31	172.71	170.92	169.00	168.35	169.87	172.40	174.28
G150.0	218.19	218.43	218.47	218.93	220.15	221.23	220.93	218.61	215.88	214.94	217.19	220.91	223.63
G151.0	270.59	269.97	268.82	268.49	269.78	271.40	271.49	268.95	265.73	264.50	267.01	271.26	274.29
G152.0	323.20	321.62	319.24	318.01	319.18	321.15	321.62	319.13	315.70	314.22	316.58	320.72	323.59
G153.0	372.54	370.10	366.70	364.66	365.53	367.57	368.28	366.00	362.64	360.97	362.84	366.36	368.71
G154.0	415.12	412.15	408.17	405.58	405.98	407.74	408.44	406.46	403.38	401.60	402.74	405.25	406.80
G155.0	447.44	444.48	440.63	437.92	437.72	438.75	439.07	437.36	434.74	432.97	433.22	434.45	435.05
G156.0	467.61	465.31	462.43	460.14	459.25	459.08	458.60	457.09	455.09	453.44	452.75	452.55	452.15
G157.0	480.07	478.83	477.42	475.91	474.38	472.88	471.45	470.12	468.80	467.38	466.81	464.26	462.95
G158.0	490.86	490.70	490.80	490.21	488.27	485.69	483.50	482.40	481.77	480.66	478.44	475.81	473.81
G159.0	505.99	506.58	507.82	508.03	506.08	503.08	500.65	499.92	499.91	499.14	496.62	493.42	491.11
G160.0	531.50	532.15	533.68	534.34	532.96	530.58	528.77	528.75	528.73	528.71	526.39	523.32	521.22
G161.0	571.57	572.03	572.48	572.93	572.68	572.03	571.81	572.34	572.88	573.41	571.81	569.61	568.24
G162.0	623.02	622.16	622.20	622.73	623.45	624.43	625.84	627.69	629.34	630.01	629.23	627.86	627.11
G163.0	680.79	680.26	680.71	681.47	682.11	683.06	684.98	688.17	691.50	693.44	693.05	691.51	690.53
G164.0	739.85	741.77	745.06	746.89	745.50	743.20	743.36	748.08	754.53	758.67	757.70	753.98	751.16
G165.0	795.15	802.74	812.52	816.72	810.44	800.14	795.09	801.48	813.10	820.62	817.57	808.72	801.67
G166.0	851.44	868.38	888.85	896.92	882.49	858.68	844.40	852.49	871.44	883.65	876.76	859.39	845.41
G167.0	952.63	980.72	1013.88	1026.42	1002.02	961.71	935.88	945.31	972.31	989.62	978.02	950.54	928.28
G168.0	1152.41	1190.98	1235.93	1252.37	1218.11	1161.67	1124.26	1134.17	1168.10	1189.84	1173.80	1136.95	1106.87
G169.0	1504.48	1550.40	1603.33	1621.92	1579.85	1510.98	1464.24	1473.32	1511.18	1535.56	1516.53	1473.40	1437.76
G170.0	2062.52	2110.20	2164.42	2182.23	2136.32	2062.07	2010.51	2016.97	2053.91	2078.08	2058.66	2014.66	1977.52
G171.0	2853.72	2895.97	2942.93	2956.30	2911.85	2841.52	2791.26	2793.09	2823.13	2843.53	2827.07	2789.12	2755.70
G172.0	3799.25	3830.72	3864.14	3870.56	3831.78	3772.58	3728.50	3724.51	3743.42	3757.50	3746.43	3719.60	3693.82
G173.0	4793.76	4804.93	4816.11	4827.29	4796.67	4752.69	4717.70	4718.62	4719.54	4720.46	4715.89	4702.53	4686.36
G174.0	5731.89	5736.69	5737.54	5728.75	5707.11	5679.27	5654.35	5647.19	5640.02	5632.85	5631.17	5629.49	5627.80
G175.0	6508.31	6502.66	6491.12	6477.23	6463.65	6449.73	6433.93	6416.05	6401.04	6395.14	6401.57	6411.39	6412.63
G176.0	6723.65	6788.07	6901.87	6999.64	6992.44	6985.25	6978.06	6949.26	6933.89	6932.70	6944.21	6958.07	6961.66
G177.0	6938.99	7027.51	7184.64	7321.48	7318.62	7315.77	7312.91	7282.86	7269.37	7270.53	7282.89	7296.78	7300.98
G178.0	7154.33	7232.50	7371.42	7492.89	7492.20	7491.50	7490.81	7466.75	7456.82	7458.57	7468.58	7479.51	7483.04
G179.0	7369.67	7414.50	7494.21	7564.02	7564.04	7564.05	7564.07	7558.30	7552.53	7546.76	7552.29	7558.26	7560.24
G180.0	7585.01	7585.01	7585.01	7585.01	7585.01	7585.01	7585.01	7585.01	7585.01	7585.01	7585.01	7585.01	7585.01

Luminaire

Code 05-9955-Z5-CL-15°
Name Aplique led COSMOS 23W 15°(1)

Measurerm.

Code 05-9955-Z5-CL-15°
Name Aplique led COSMOS 23W 15°(1)

Luminaire Flux	3440.92 lm	Luminaire Power	25.42 W	Efficacy	135.36 lm/W	Efficiency	188.72%
Lamps Flux	1823.33 lm	Maximum value	7585.01 cd/klm	Position	C=0.00 G=0.00	CG	Asymmetrical

Luminous Intensity Table cd/klm Table 17/18

	C 260.00	C 265.00	C 270.00	C 275.00	C 280.00	C 285.00	C 290.00	C 295.00	C 300.00	C 305.00	C 310.00	C 315.00	C 320.00
G146.0	54.02	55.44	57.55	55.44	54.02	53.96	55.60	57.91	59.50	59.44	58.56	58.14	59.00
G147.0	87.62	88.18	88.97	88.18	87.62	87.56	88.10	88.91	89.53	89.64	89.60	89.87	90.41
G148.0	128.34	127.85	127.09	127.85	128.34	128.29	127.58	126.67	126.18	126.54	127.48	128.55	129.33
G149.0	174.26	172.70	170.37	172.70	174.26	174.28	172.40	169.87	168.35	169.00	170.92	172.71	173.31
G150.0	223.46	220.96	217.30	220.96	223.46	223.63	220.91	217.19	214.94	215.88	218.61	220.93	221.23
G151.0	273.88	270.71	266.14	270.71	273.88	274.29	271.26	267.01	264.50	265.73	268.95	271.49	271.40
G152.0	322.91	319.35	314.36	319.35	322.91	323.59	320.72	316.58	314.22	315.70	319.13	321.62	321.15
G153.0	367.75	364.14	359.19	364.14	367.75	368.71	366.36	362.84	360.97	362.64	366.00	368.28	367.57
G154.0	405.65	402.30	397.86	402.30	405.65	406.80	405.25	402.74	401.60	403.38	406.46	408.44	407.74
G155.0	433.81	431.09	427.62	431.09	433.81	435.05	434.45	433.22	432.97	434.74	437.36	439.07	438.75
G156.0	451.00	449.23	447.16	449.23	451.00	452.15	452.55	452.75	453.44	455.09	457.09	458.60	459.08
G157.0	462.01	461.38	460.89	461.38	462.01	462.95	464.26	465.81	467.38	468.80	470.12	471.45	472.88
G158.0	473.19	473.68	474.71	473.68	473.19	473.81	475.81	478.44	480.66	481.77	482.40	483.50	485.69
G159.0	490.86	492.26	494.49	492.26	490.86	491.11	493.42	496.62	499.14	499.91	499.92	500.65	503.08
G160.0	521.36	523.28	526.10	523.28	521.36	521.22	523.32	526.39	528.71	528.73	528.75	528.77	530.58
G161.0	568.73	570.71	573.42	570.71	568.73	568.24	569.61	571.81	573.41	572.88	572.34	571.81	572.03
G162.0	627.88	629.85	632.42	629.85	627.88	627.11	627.86	629.23	630.01	629.34	627.69	625.84	624.43
G163.0	691.43	693.86	697.05	693.86	691.43	690.53	691.51	693.05	693.44	691.50	688.17	684.98	683.06
G164.0	752.01	755.89	761.28	755.89	752.01	751.16	753.98	757.70	758.67	754.53	748.08	743.36	743.20
G165.0	802.24	809.09	819.06	809.09	802.24	801.67	808.72	817.57	820.62	813.10	801.48	795.09	800.14
G166.0	845.40	856.90	874.14	856.90	845.40	845.41	859.39	876.76	883.65	871.44	852.49	844.40	858.68
G167.0	927.36	943.99	969.40	943.99	927.36	928.28	950.54	978.02	989.62	972.31	945.31	935.88	961.71
G168.0	1104.65	1125.34	1157.47	1125.34	1104.65	1106.87	1136.95	1173.80	1189.84	1168.10	1134.17	1124.26	1161.67
G169.0	1433.79	1455.89	1491.03	1455.89	1433.79	1437.76	1473.40	1516.53	1535.56	1511.18	1473.32	1464.24	1510.98
G170.0	1971.30	1990.62	2022.71	1990.62	1971.30	1977.52	2014.66	2058.66	2078.08	2053.91	2016.97	2010.51	2062.07
G171.0	2746.79	2758.23	2779.84	2758.23	2746.79	2755.70	2789.12	2827.07	2843.53	2823.13	2793.09	2791.26	2841.52
G172.0	3692.03	3690.23	3688.44	3690.23	3692.03	3693.82	3719.60	3746.43	3757.50	3743.42	3724.51	3728.50	3772.58
G173.0	4672.20	4660.16	4649.18	4660.16	4672.20	4686.36	4702.53	4715.89	4720.46	4719.54	4718.62	4717.70	4752.69
G174.0	5612.00	5589.14	5562.75	5589.14	5612.00	5627.80	5629.49	5631.17	5632.85	5640.02	5647.19	5654.35	5679.27
G175.0	6396.45	6366.56	6329.82	6366.56	6396.45	6412.63	6411.39	6401.57	6395.14	6401.04	6416.05	6433.93	6449.73
G176.0	6945.75	6914.61	6875.84	6914.61	6945.75	6961.66	6958.07	6944.21	6932.70	6933.89	6949.26	6978.06	6985.25
G177.0	7287.33	7259.75	7225.20	7259.75	7287.33	7300.98	7296.78	7282.89	7270.53	7269.37	7282.86	7312.91	7315.77
G178.0	7473.11	7452.71	7427.07	7452.71	7473.11	7483.04	7479.51	7468.58	7458.57	7456.82	7466.75	7490.81	7491.50
G179.0	7555.03	7544.22	7530.62	7544.22	7555.03	7560.24	7558.26	7552.29	7546.76	7552.53	7558.30	7564.07	7564.05
G180.0	7585.01	7585.01	7585.01	7585.01	7585.01	7585.01	7585.01	7585.01	7585.01	7585.01	7585.01	7585.01	7585.01

Luminaire

Code 05-9955-Z5-CL-15°
Name Aplique led COSMOS 23W 15°(1)

Measur.

Code 05-9955-Z5-CL-15°
Name Aplique led COSMOS 23W 15°(1)

Luminaire Flux	3440.92 lm	Luminaire Power	25.42 W	Efficacy	135.36 lm/W	Efficiency	188.72%
Lamps Flux	1823.33 lm	Maximum value	7585.01 cd/klm	Position	C=0.00 G=0.00	CG	Asymmetrical

Luminous Intensity Table cd/klm Table 18/18

	C 325.00	C 330.00	C 335.00	C 340.00	C 345.00	C 350.00	C 355.00
G146.0	60.25	60.53	59.00	56.81	55.59	56.55	59.26
G147.0	90.94	91.47	89.95	87.91	86.64	87.09	88.90
G148.0	129.57	129.03	127.65	126.02	124.86	124.73	125.41
G149.0	172.88	171.94	170.90	169.93	169.09	168.45	167.96
G150.0	220.15	218.93	218.47	218.43	218.19	217.24	215.74
G151.0	269.78	268.49	268.82	269.97	270.59	269.65	267.45
G152.0	319.18	318.01	319.24	321.62	323.20	322.51	319.98
G153.0	365.53	364.66	366.70	370.10	372.54	372.24	369.74
G154.0	405.98	405.58	408.17	412.15	415.12	415.27	413.14
G155.0	437.72	437.92	440.63	444.48	447.44	447.99	446.60
G156.0	459.25	460.14	462.43	465.31	467.61	468.44	468.10
G157.0	474.38	475.91	477.42	478.83	480.07	481.10	481.95
G158.0	488.27	490.21	490.80	490.70	490.86	492.02	494.02
G159.0	506.08	508.03	507.82	506.58	505.99	507.31	510.17
G160.0	532.96	534.34	533.68	532.15	531.50	533.03	536.30
G161.0	572.68	572.93	572.48	572.03	571.57	573.38	576.51
G162.0	623.45	622.73	622.20	622.16	623.02	625.03	627.91
G163.0	682.11	681.47	680.71	680.26	680.79	682.77	685.85
G164.0	745.50	746.89	745.06	741.77	739.85	741.38	745.68
G165.0	810.44	816.72	812.52	802.74	795.15	795.64	802.74
G166.0	882.49	896.92	888.85	868.38	851.44	850.21	861.95
G167.0	1002.02	1026.42	1013.88	980.72	952.63	949.31	966.48
G168.0	1218.11	1252.37	1235.93	1190.98	1152.41	1146.99	1169.06
G169.0	1579.85	1621.92	1603.33	1550.40	1504.48	1497.33	1522.43
G170.0	2136.32	2182.23	2164.42	2110.20	2062.52	2054.42	2079.32
G171.0	2911.85	2956.30	2942.93	2895.97	2853.72	2845.70	2866.34
G172.0	3831.78	3870.56	3864.14	3830.72	3799.25	3792.13	3805.61
G173.0	4796.67	4827.29	4816.11	4804.93	4793.76	4788.05	4793.10
G174.0	5707.11	5728.75	5737.54	5736.69	5731.89	5727.78	5724.81
G175.0	6463.65	6477.23	6491.12	6502.66	6508.31	6505.66	6496.73
G176.0	6992.44	6999.64	6901.87	6788.07	6723.65	6756.77	6866.43
G177.0	7318.62	7321.48	7184.64	7027.51	6938.99	6984.39	7134.77
G178.0	7492.20	7492.89	7371.42	7232.50	7154.33	7194.38	7327.08
G179.0	7564.04	7564.02	7494.21	7414.50	7369.67	7392.63	7468.72
G180.0	7585.01	7585.01	7585.01	7585.01	7585.01	7585.01	7585.01

Luminaire

Code 05-9955-Z5-CL-15°
 Name Aplique led COSMOS 23W 15°(1)

Measur.

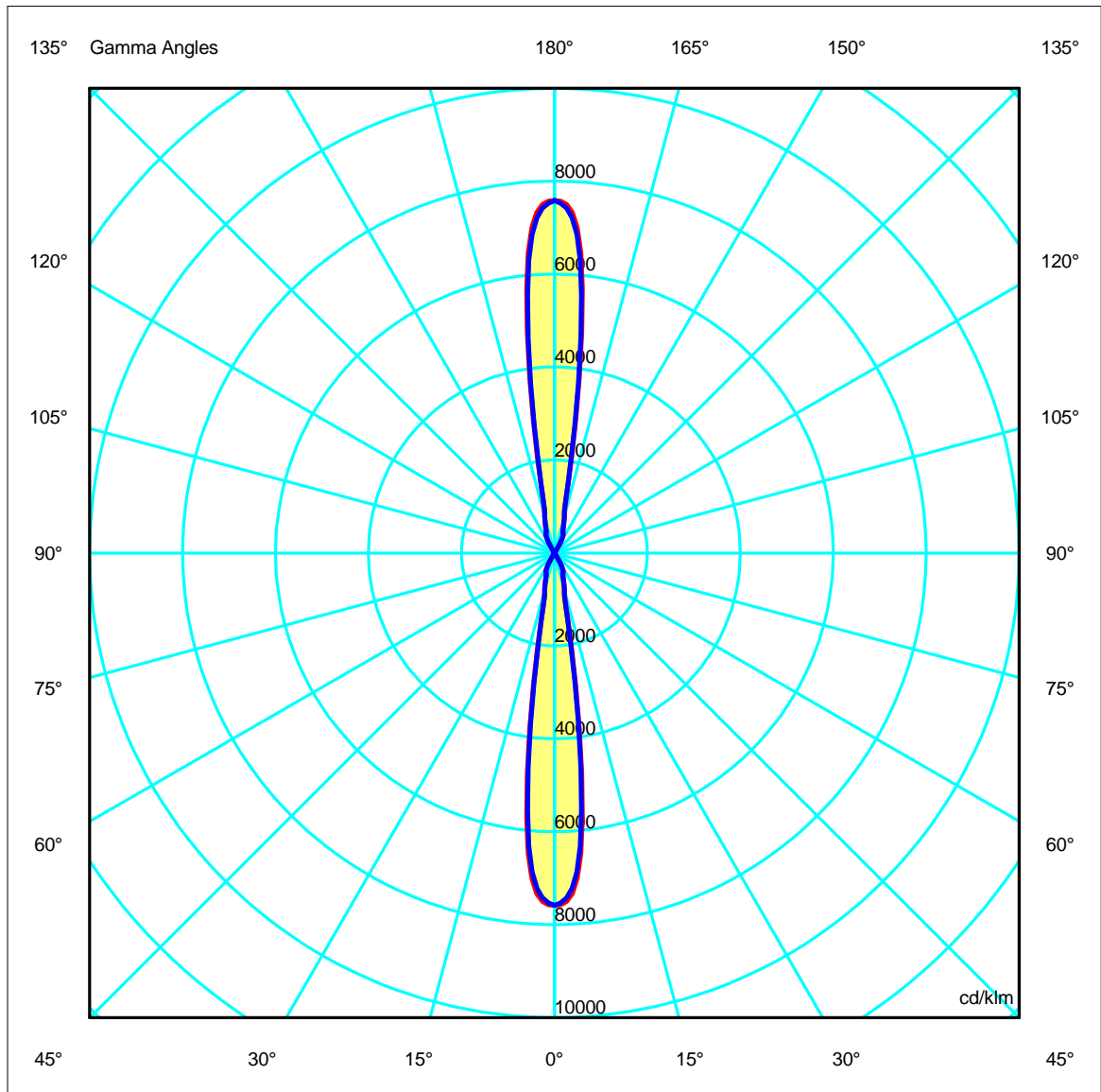
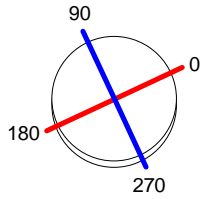
Code 05-9955-Z5-CL-15°
 Name Aplique led COSMOS 23W 15°(1)

Luminaire Flux	3440.92 lm	Luminaire Power	25.42 W	Efficacy	135.36 lm/W	Efficiency	188.72%
Lamps Flux	1823.33 lm	Maximum value	7585.01 cd/klm	Position	C=0.00 G=0.00	CG	Asymmetrical

Diam=110mm

C Halfplanes

180.0 ——— 0.0
 270.0 ——— 90.0



Luminaire

Code 05-9955-Z5-CL-15°
 Name Aplique led COSMOS 23W 15°(1)

Measurment.

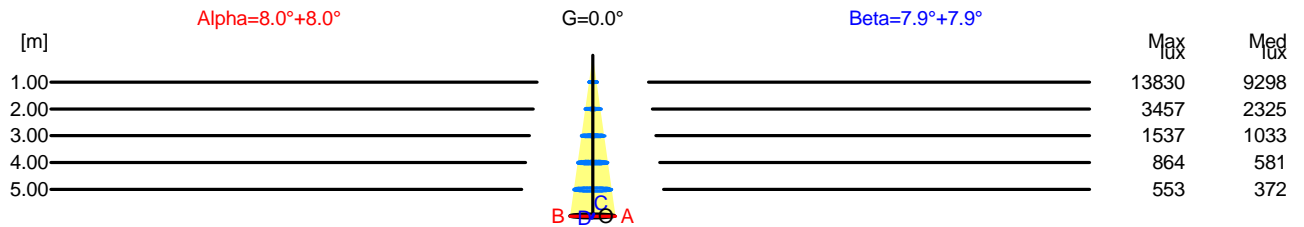
Code 05-9955-Z5-CL-15°
 Name Aplique led COSMOS 23W 15°(1)

Luminaire Flux	3440.92 lm	Luminaire Power	25.42 W	Efficacy	135.36 lm/W	Efficiency	188.72%
Lamps Flux	1823.33 lm	Maximum value	7585.01 cd/klm	Position	C=0.00 G=0.00	CG	Asymmetrical

Width at 50.00 % of Max Intensity

H[m]	1.00	2.00	3.00	4.00	5.00	H[m]	1.00	2.00	3.00	4.00	5.00
OA	0.14	0.28	0.42	0.56	0.71	OC	0.14	0.28	0.42	0.55	0.69
OB	0.14	0.28	0.42	0.56	0.71	OD	0.14	0.28	0.42	0.55	0.69

	Luminous Intensities [cd/klm]									
	0	5	15	25	35	45	55	65	75	85
OA	13829.98	11823.67	1482.65	809.99	75.50	16.12	9.47	6.78	2.18	0.29
OB	13829.98	11823.67	1482.65	809.99	75.50	16.12	9.47	6.78	2.18	0.29
OC	13829.98	11541.36	1493.42	779.70	62.58	17.37	10.40	6.40	2.05	0.33
OD	13829.98	11541.36	1493.42	779.70	62.58	17.37	10.40	6.40	2.05	0.33



H[m]	D[m]	Max lux	Med lux	Alpha=8.0°+8.0°	G=0.0	
1.00	0.28	13830	9298			
2.00	0.56	3457	2325			
3.00	0.85	1537	1033			
4.00	1.13	864	581			
5.00	1.41	553	372			

H[m]	D[m]	Max lux	Med lux	Beta=7.9°+7.9°	G=0.0	
1.00	0.28	13830	9298			
2.00	0.55	3457	2325			
3.00	0.83	1537	1033			
4.00	1.11	864	581			
5.00	1.39	553	372			

Luminaire

Code 05-9955-Z5-CL-15°
Name Aplique led COSMOS 23W 15°(1)

Measurement

Code 05-9955-Z5-CL-15°
Name Aplique led COSMOS 23W 15°(1)

Luminaire Flux	3440.92 lm	Luminaire Power	25.42 W	Efficacy	135.36 lm/W	Efficiency	188.72%
Lamps Flux	1823.33 lm	Maximum value	7585.01 cd/klm	Position	C=0.00 G=0.00	CG	Asymmetrical

UGR
S = 0.250

Reflectancies										
Ceiling/Cavity	0.7	0.7	0.5	0.5	0.3	0.7	0.7	0.5	0.5	0.3
Walls	0.5	0.3	0.5	0.3	0.3	0.5	0.3	0.5	0.3	0.3
WorkingPlane	0.2	0.2	0.2	0.2	0.2	0.2	0.2	0.2	0.2	0.2
RoomDimensions	ViewedCrosswise					ViewedEndwise				
x=2H y=2H	8.4	9.0	9.3	9.8	11.0	8.5	9.1	9.4	9.9	11.0
x=2H y=3H	8.5	9.1	9.4	9.9	11.1	8.6	9.1	9.5	10.0	11.1
x=2H y=4H	8.5	9.0	9.5	9.9	11.1	8.6	9.1	9.5	10.0	11.1
x=2H y=6H	8.4	8.8	9.4	9.7	11.0	8.5	8.9	9.4	9.8	11.0
x=2H y=8H	8.3	8.8	9.3	9.7	10.9	8.4	8.8	9.4	9.7	10.9
x=2H y=12H	8.3	8.7	9.2	9.6	10.8	8.3	8.7	9.3	9.6	10.8
x=4H y=2H	8.2	8.7	9.2	9.6	10.8	8.4	8.8	9.3	9.7	10.8
x=4H y=3H	8.5	8.9	9.5	9.8	11.1	8.6	9.0	9.5	9.9	11.1
x=4H y=4H	8.5	8.9	9.5	9.8	11.1	8.6	8.9	9.5	9.8	11.1
x=4H y=6H	8.4	8.7	9.4	9.7	10.9	8.4	8.7	9.4	9.7	10.9
x=4H y=8H	8.3	8.6	9.3	9.6	10.9	8.4	8.6	9.4	9.6	10.9
x=4H y=12H	8.3	8.5	9.3	9.5	10.8	8.3	8.5	9.3	9.5	10.8
x=8H y=4H	8.4	8.6	9.4	9.6	10.9	8.4	8.7	9.4	9.7	10.9
x=8H y=6H	8.3	8.5	9.3	9.5	10.8	8.3	8.5	9.3	9.5	10.8
x=8H y=8H	8.2	8.4	9.2	9.4	10.7	8.2	8.4	9.3	9.4	10.7
x=8H y=12H	8.1	8.3	9.2	9.3	10.7	8.2	8.3	9.2	9.3	10.7
x=12H y=4H	8.3	8.5	9.3	9.5	10.8	8.3	8.6	9.4	9.6	10.8
x=12H y=6H	8.2	8.4	9.2	9.4	10.7	8.2	8.4	9.3	9.4	10.7
x=12H y=8H	8.1	8.3	9.2	9.3	10.7	8.1	8.3	9.2	9.3	10.7

Luminaire

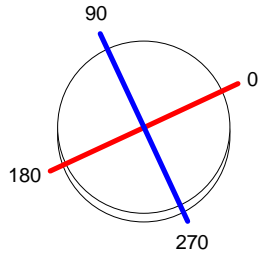
Code 05-9955-Z5-CL-15°
 Name Applique led COSMOS 23W 15°(1)

Measurement

Code 05-9955-Z5-CL-15°
 Name Applique led COSMOS 23W 15°(1)

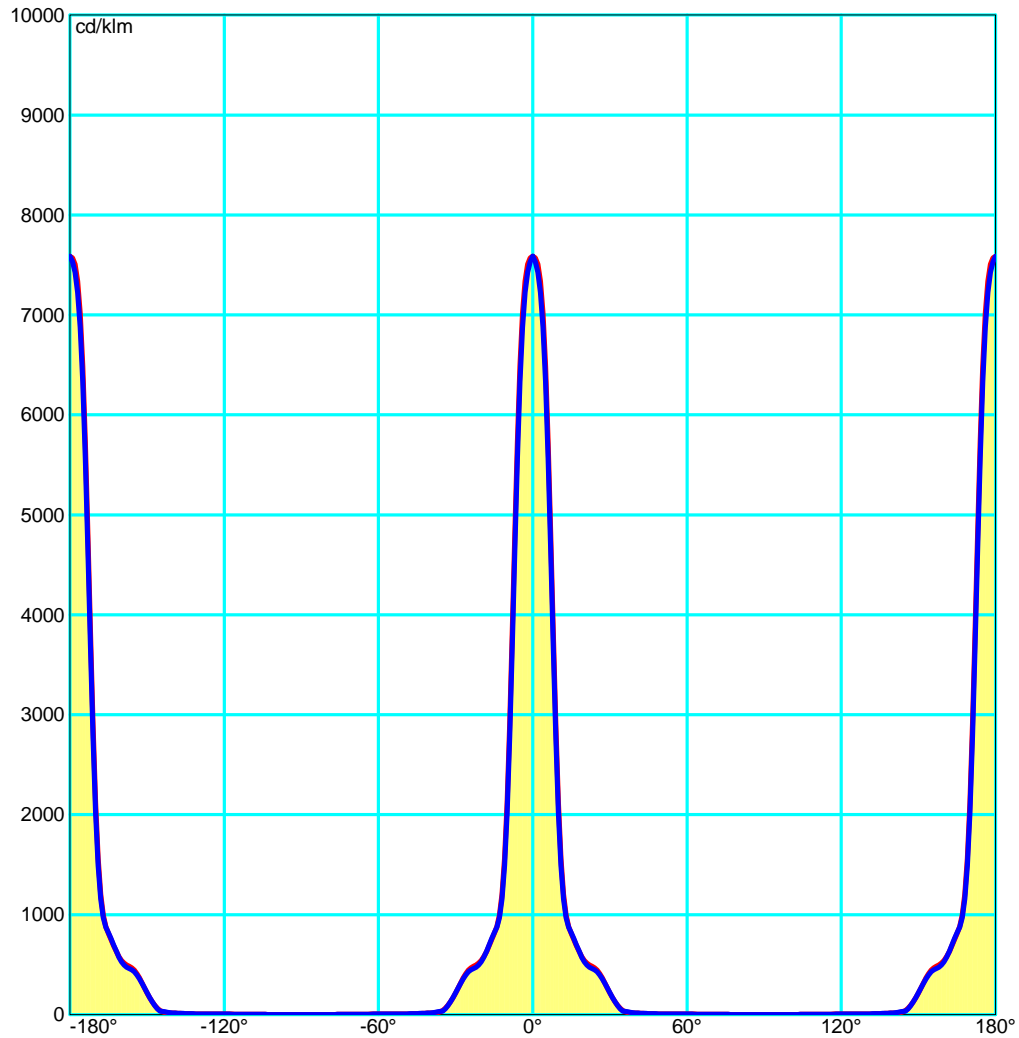
Luminaire Flux	3440.92 lm	Luminaire Power	25.42 W	Efficacy	135.36 lm/W	Efficiency	188.72%
Lamps Flux	1823.33 lm	Maximum value	7585.01 cd/klm	Position	C=0.00 G=0.00	CG	Asymmetrical

Diam=110mm



C Halfplanes

180.0 ———— 0.0
 270.0 ———— 90.0



Luminaire

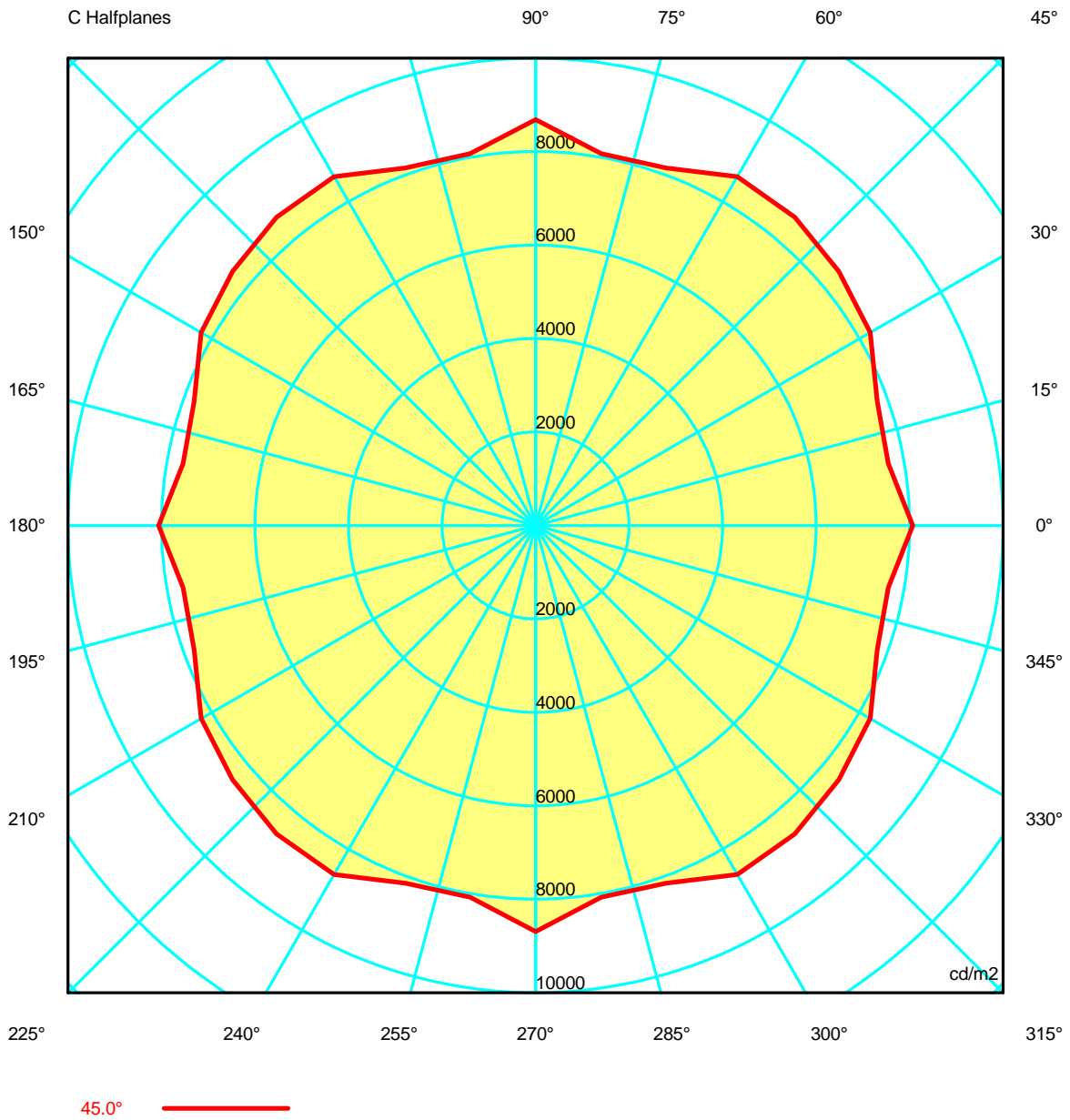
Code 05-9955-Z5-CL-15°
 Name Aplique led COSMOS 23W 15°(1)

Measur.

Code 05-9955-Z5-CL-15°
 Name Aplique led COSMOS 23W 15°(1)

Luminaire Flux	3440.92 lm	Luminaire Power	25.42 W	Efficacy	135.36 lm/W	Efficiency	188.72%
Lamps Flux	1823.33 lm	Maximum value	7585.01 cd/klm	Position	C=0.00 G=0.00	CG	Asymmetrical

Luminance



Luminaire

Code 05-9955-Z5-CL-15°
Name Aplique led COSMOS 23W 15°(1)

Measuram.

Code 05-9955-Z5-CL-15°
Name Aplique led COSMOS 23W 15°(1)

Luminaire Flux	3440.92 lm	Luminaire Power	25.42 W	Efficacy	135.36 lm/W	Efficiency	188.72%
Lamps Flux	1823.33 lm	Maximum value	7585.01 cd/klm	Position	C=0.00 G=0.00	CG	Asymmetrical

Luminance cd/m2 Table 1/3

	C 0.00	C 10.00	C 20.00	C 30.00	C 40.00	C 50.00	C 60.00	C 70.00	C 80.00	C 90.00	C 100.00	C 110.00	C 120.00
G 0.0	4892104.71	4892104.71	4892104.71	4892104.71	4892104.71	4892104.71	4892104.71	4892104.71	4892104.71	4892104.71	4892104.71	4892104.71	4892104.71
G 5.0	4198385.52	4211980.91	4210041.81	4193573.67	4175769.40	4153969.09	4140430.64	4150951.60	4141276.29	4098141.39	4141276.29	4150951.60	4140430.64
G 10.0	1388895.93	1345480.74	1382013.90	1429182.56	1350488.65	1320956.39	1360973.43	1319440.71	1291044.99	1324711.46	1291044.99	1319440.71	1360973.43
G 15.0	542960.94	531263.39	536008.66	545341.17	534271.12	535165.25	547948.69	540000.84	535676.33	546905.62	535676.33	540000.84	547948.69
G 20.0	370939.75	365850.32	365248.24	366753.22	364167.02	362916.58	362887.68	359189.10	357842.80	361091.98	357842.80	359189.10	362887.68
G 25.0	316139.25	318811.16	316312.04	311646.27	312233.28	311243.16	308121.22	309173.48	308721.72	304316.26	308721.72	309173.48	308121.22
G 30.0	159334.06	161791.43	162676.40	163049.06	164757.33	162807.31	160077.03	164522.37	166419.67	161830.78	166419.67	164522.37	160077.03
G 35.0	32601.52	26888.93	26720.56	29501.41	27985.61	28094.71	29295.89	24978.64	23178.82	27024.26	23178.82	24978.64	29295.89
G 40.0	12099.99	11725.81	11727.29	12188.79	12829.40	13074.70	12622.56	11756.09	11676.28	12600.90	11676.28	11756.09	12622.56
G 45.0	8064.69	7654.69	7776.22	8259.01	8462.21	8614.98	8620.14	8144.85	8078.38	8688.16	8078.38	8144.85	8620.14
G 50.0	6293.28	6170.23	6244.37	6524.18	6813.21	6856.80	6714.46	6701.39	6847.93	7086.14	6847.93	6701.39	6714.46
G 55.0	5839.97	5707.48	5790.93	6041.78	6207.28	6263.86	6238.66	6177.09	6229.12	6416.16	6229.12	6177.09	6238.66
G 60.0	5997.06	5885.05	5885.34	5972.18	6004.46	5929.60	5804.17	5742.98	5751.25	5798.15	5751.25	5742.98	5804.17
G 65.0	5676.65	5576.78	5580.85	5656.52	5672.68	5640.24	5564.80	5437.75	5374.78	5353.40	5374.78	5437.75	5564.80
G 70.0	4441.88	4540.72	4577.96	4535.59	4455.57	4440.75	4452.92	4366.72	4324.74	4383.24	4324.74	4366.72	4452.92
G 75.0	2975.71	2926.57	2935.42	2972.85	2953.16	2907.66	2825.07	2677.62	2654.40	2796.09	2654.40	2677.62	2825.07
G 80.0	864.93	773.53	839.97	937.73	809.89	783.67	881.61	802.46	754.92	843.06	754.92	802.46	881.61
G 85.0	1171.82	1228.06	1245.01	1247.16	1275.94	1300.22	1298.81	1293.18	1301.33	1340.84	1301.33	1293.18	1298.81
G 90.0	0.00	0.00	0.00	0.00	0.00	0.00	0.00	0.00	0.00	0.00	0.00	0.00	0.00

Luminaire

Code 05-9955-Z5-CL-15°
Name Applique led COSMOS 23W 15°(1)

Measurerm.

Code 05-9955-Z5-CL-15°
Name Applique led COSMOS 23W 15°(1)

Luminaire Flux	3440.92 lm	Luminaire Power	25.42 W	Efficacy	135.36 lm/W	Efficiency	188.72%
Lamps Flux	1823.33 lm	Maximum value	7585.01 cd/klm	Position	C=0.00 G=0.00	CG	Asymmetrical

Luminance cd/m2 Table 2/3

	C 130.00	C 140.00	C 150.00	C 160.00	C 170.00	C 180.00	C 190.00	C 200.00	C 210.00	C 220.00	C 230.00	C 240.00	C 250.00
G 0.0	4892104.71	4892104.71	4892104.71	4892104.71	4892104.71	4892104.71	4892104.71	4892104.71	4892104.71	4892104.71	4892104.71	4892104.71	4892104.71
G 5.0	4153969.09	4175769.40	4193573.67	4210041.81	4211980.91	4198385.52	4211980.91	4210041.81	4193573.67	4175769.40	4153969.09	4140430.64	4150951.60
G 10.0	1320956.39	1350488.65	1429182.56	1382013.90	1345480.74	1388895.93	1345480.74	1382013.90	1429182.56	1350488.65	1320956.39	1360973.43	1319440.71
G 15.0	535165.25	534271.12	545341.17	536008.66	531263.39	542960.94	531263.39	536008.66	545341.17	534271.12	535165.25	547948.69	540000.84
G 20.0	362916.58	364167.02	366753.22	365248.24	365850.32	370939.75	365850.32	365248.24	366753.22	364167.02	362916.58	362887.68	359189.10
G 25.0	311243.16	312233.28	311646.27	316312.04	318811.16	316139.25	318811.16	316312.04	311646.27	312233.28	311243.16	308121.22	309173.48
G 30.0	162807.31	164757.33	163049.06	162676.40	161791.43	159334.06	161791.43	162676.40	163049.06	164757.33	162807.31	160077.03	164522.37
G 35.0	28094.71	27985.61	29501.41	26720.56	26888.93	32601.52	26888.93	26720.56	29501.41	27985.61	28094.71	29295.89	24978.64
G 40.0	13074.70	12829.40	12188.79	11727.29	11725.81	12099.99	11725.81	11727.29	12188.79	12829.40	13074.70	12622.56	11756.09
G 45.0	8614.98	8462.21	8259.01	7776.22	7654.69	8064.69	7654.69	7776.22	8259.01	8462.21	8614.98	8620.14	8144.85
G 50.0	6856.80	6813.21	6524.18	6244.37	6170.23	6293.28	6170.23	6244.37	6524.18	6813.21	6856.80	6714.46	6701.39
G 55.0	6263.86	6207.28	6041.78	5790.93	5707.48	5839.97	5707.48	5790.93	6041.78	6207.28	6263.86	6238.66	6177.09
G 60.0	5929.60	6004.46	5972.18	5885.34	5885.05	5997.06	5885.05	5885.34	5972.18	6004.46	5929.60	5804.17	5742.98
G 65.0	5640.24	5672.68	5656.52	5580.85	5576.78	5676.65	5576.78	5580.85	5656.52	5672.68	5640.24	5564.80	5437.75
G 70.0	4440.75	4455.57	4535.59	4577.96	4540.72	4441.88	4540.72	4577.96	4535.59	4455.57	4440.75	4452.92	4366.72
G 75.0	2907.66	2953.16	2972.85	2935.42	2926.57	2975.71	2926.57	2935.42	2972.85	2953.16	2907.66	2825.07	2677.62
G 80.0	783.67	809.89	937.73	839.97	773.53	864.93	773.53	839.97	937.73	809.89	783.67	881.61	802.46
G 85.0	1300.22	1275.94	1247.16	1245.01	1228.06	1171.82	1228.06	1245.01	1247.16	1275.94	1300.22	1298.81	1293.18
G 90.0	0.00	0.00	0.00	0.00	0.00	0.00	0.00	0.00	0.00	0.00	0.00	0.00	0.00

Luminaire

Code 05-9955-Z5-CL-15°
 Name Aplique led COSMOS 23W 15°(1)

Measur.

Code 05-9955-Z5-CL-15°
 Name Aplique led COSMOS 23W 15°(1)

Luminaire Flux	3440.92 lm	Luminaire Power	25.42 W	Efficacy	135.36 lm/W	Efficiency	188.72%
Lamps Flux	1823.33 lm	Maximum value	7585.01 cd/klm	Position	C=0.00 G=0.00	CG	Asymmetrical

Luminance cd/m2 Table 3/3

	C 260.00	C 270.00	C 280.00	C 290.00	C 300.00	C 310.00	C 320.00	C 330.00	C 340.00	C 350.00
G 0.0	4892104.71	4892104.71	4892104.71	4892104.71	4892104.71	4892104.71	4892104.71	4892104.71	4892104.71	4892104.71
G 5.0	4141276.29	4098141.39	4141276.29	4150951.60	4140430.64	4153969.09	4175769.40	4193573.67	4210041.81	4211980.91
G 10.0	1291044.99	1324711.46	1291044.99	1319440.71	1360973.43	1320956.39	1350488.65	1429182.56	1382013.90	1345480.74
G 15.0	535676.33	546905.62	535676.33	540000.84	547948.69	535165.25	534271.12	545341.17	536008.66	531263.39
G 20.0	357842.80	361091.98	357842.80	359189.10	362887.68	362916.58	364167.02	366753.22	365248.24	365850.32
G 25.0	308721.72	304316.26	308721.72	309173.48	308121.22	311243.16	312233.28	311646.27	316312.04	318811.16
G 30.0	166419.67	161830.78	166419.67	164522.37	160077.03	162807.31	164757.33	163049.06	162676.40	161791.43
G 35.0	23178.82	27024.26	23178.82	24978.64	29295.89	28094.71	27985.61	29501.41	26720.56	26888.93
G 40.0	11676.28	12600.90	11676.28	11756.09	12622.56	13074.70	12829.40	12188.79	11727.29	11725.81
G 45.0	8078.38	8688.16	8078.38	8144.85	8620.14	8614.98	8462.21	8259.01	7776.22	7654.69
G 50.0	6847.93	7086.14	6847.93	6701.39	6714.46	6856.80	6813.21	6524.18	6244.37	6170.23
G 55.0	6229.12	6416.16	6229.12	6177.09	6238.66	6263.86	6207.28	6041.78	5790.93	5707.48
G 60.0	5751.25	5798.15	5751.25	5742.98	5804.17	5929.60	6004.46	5972.18	5885.34	5885.05
G 65.0	5374.78	5353.40	5374.78	5437.75	5564.80	5640.24	5672.68	5656.52	5580.85	5576.78
G 70.0	4324.74	4383.24	4324.74	4366.72	4452.92	4440.75	4455.57	4535.59	4577.96	4540.72
G 75.0	2654.40	2796.09	2654.40	2677.62	2825.07	2907.66	2953.16	2972.85	2935.42	2926.57
G 80.0	754.92	843.06	754.92	802.46	881.61	783.67	809.89	937.73	839.97	773.53
G 85.0	1301.33	1340.84	1301.33	1293.18	1298.81	1300.22	1275.94	1247.16	1245.01	1228.06
G 90.0	0.00	0.00	0.00	0.00	0.00	0.00	0.00	0.00	0.00	0.00

Luminaire

Code 05-9955-Z5-CL-15°
 Name Aplique led COSMOS 23W 15°(1)

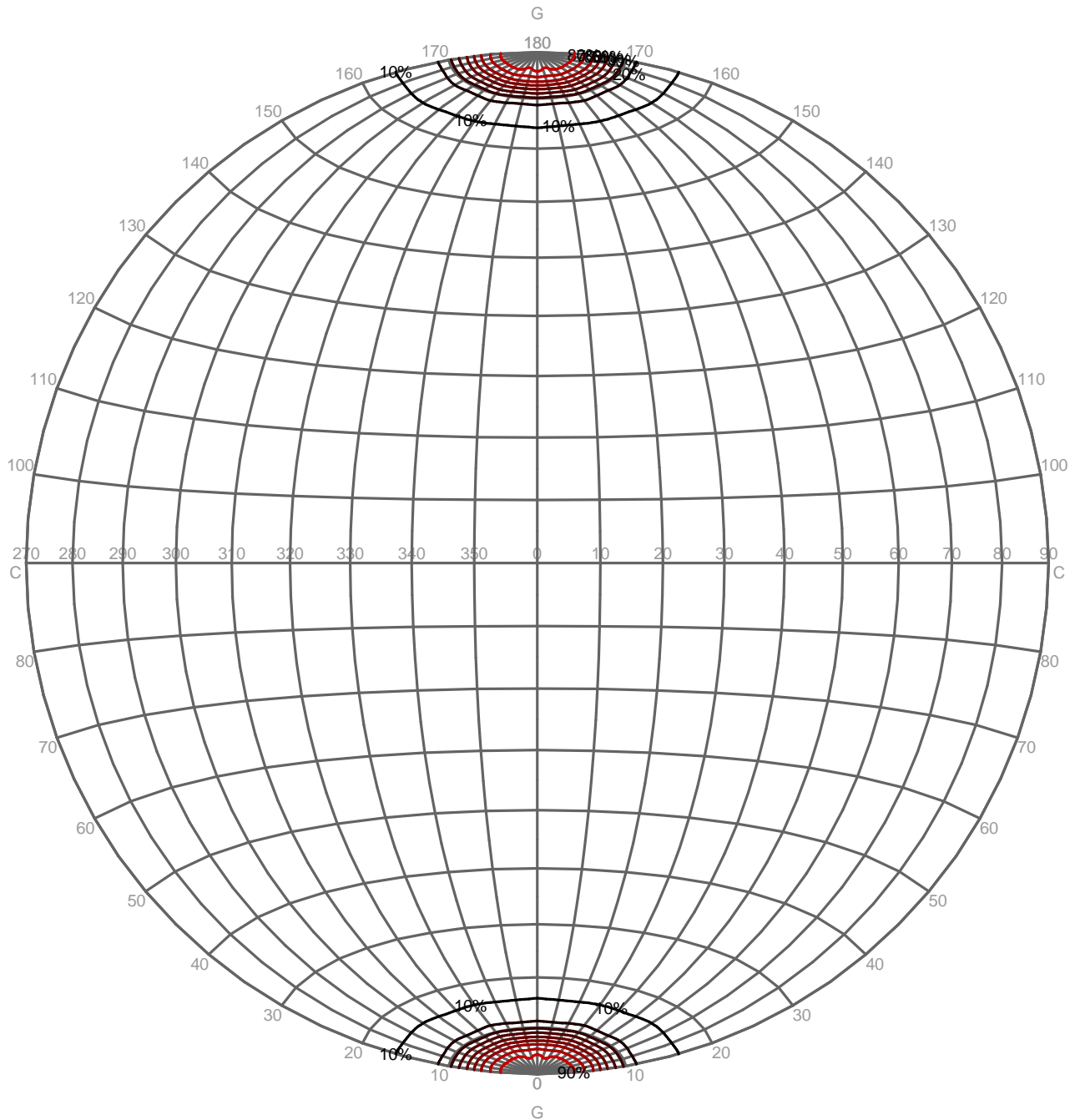
Measur.

Code 05-9955-Z5-CL-15°
 Name Aplique led COSMOS 23W 15°(1)

Luminaire Flux	3440.92 lm	Luminaire Power	25.42 W	Efficacy	135.36 lm/W	Efficiency	188.72%
Lamps Flux	1823.33 lm	Maximum value	7585.01 cd/klm	Position	C=0.00 G=0.00	CG	Asymmetrical

PERCENTAGE ISOCANDLES

Projection: Equal Area SLI 11.5 Tight Tilting Angle:0°



Luminaire

Code 05-9955-Z5-CL-15°
 Name Aplique led COSMOS 23W 15°(1)

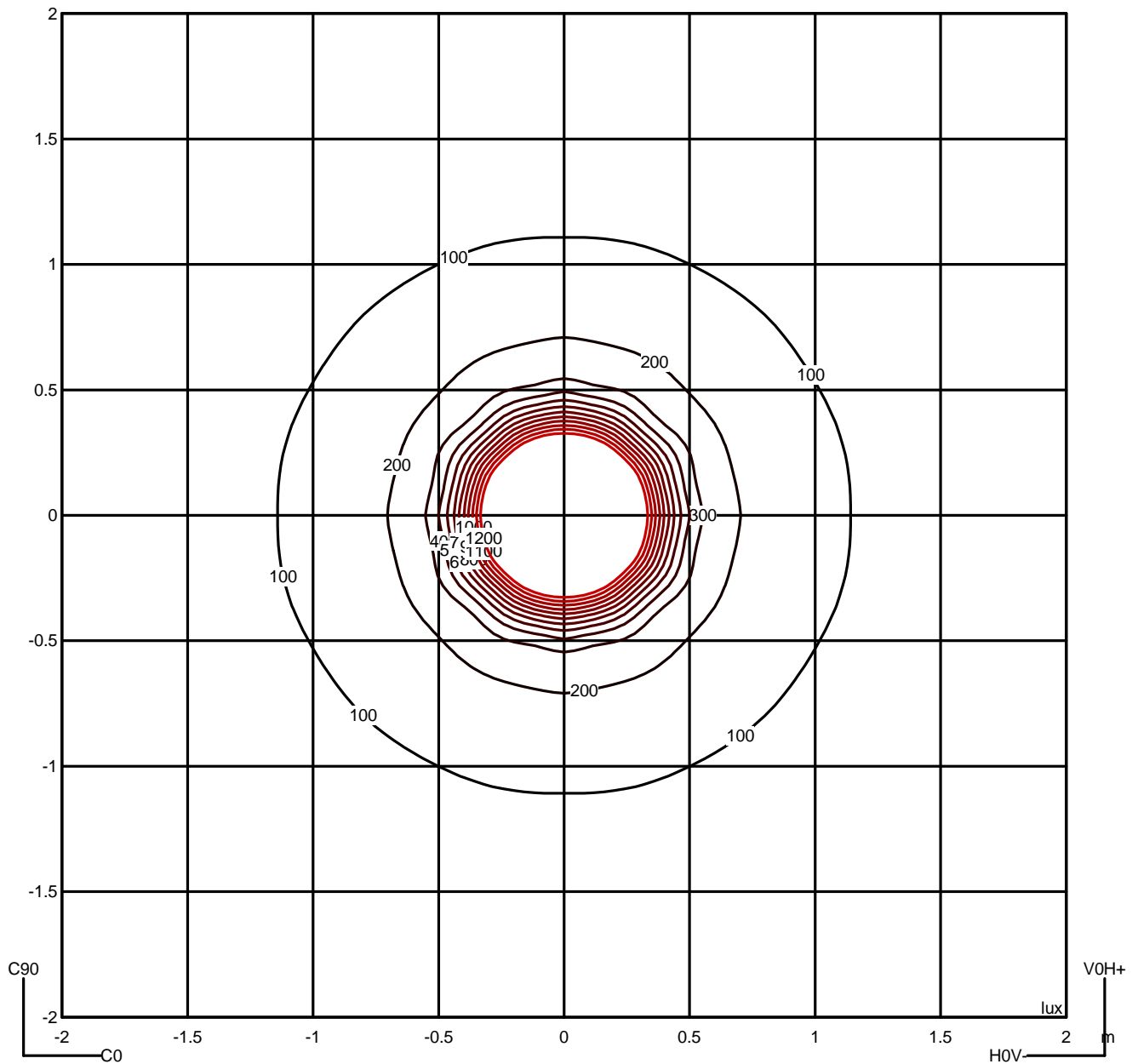
Measur.

Code 05-9955-Z5-CL-15°
 Name Aplique led COSMOS 23W 15°(1)

Luminaire Flux	3440.92 lm	Luminaire Power	25.42 W	Efficacy	135.36 lm/W	Efficiency	188.72%
Lamps Flux	1823.33 lm	Maximum value	7585.01 cd/klm	Position	C=0.00 G=0.00	CG	Asymmetrical

Isolux (Floor)

Luminaire position X=0.00m Y=0.00m Z=2.50m



Luminaire

Code 05-9955-Z5-CL-15°
 Name Aplique led COSMOS 23W 15°(1)

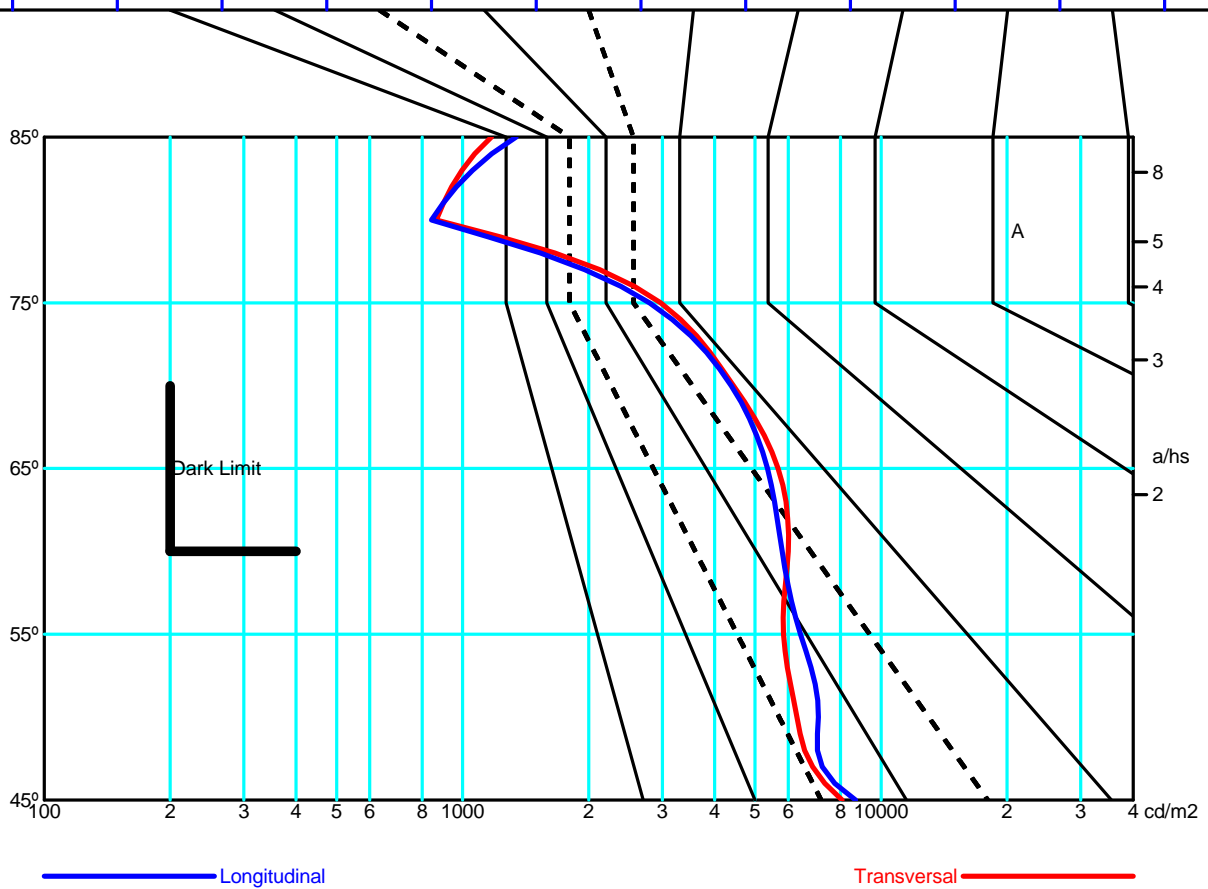
Measurment.

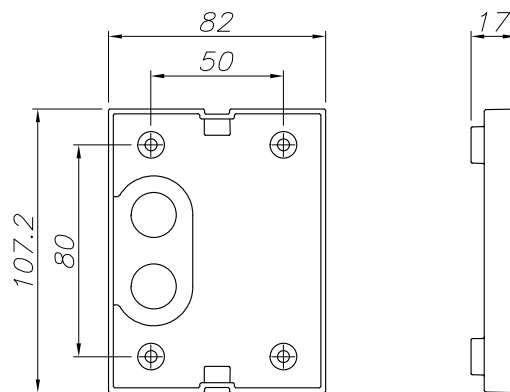
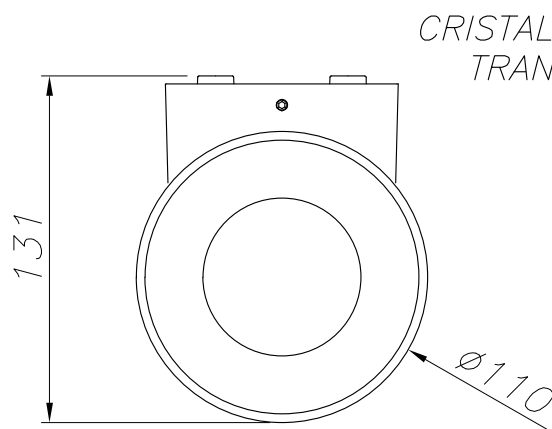
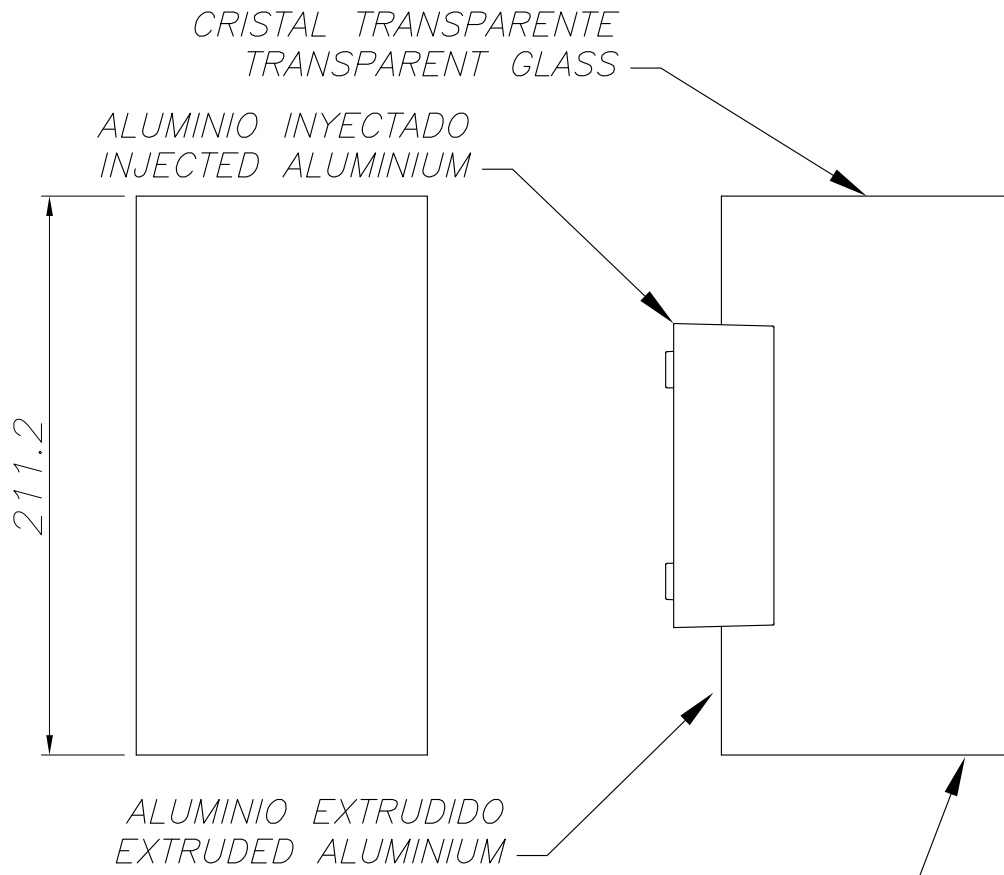
Code 05-9955-Z5-CL-15°
 Name Aplique led COSMOS 23W 15°(1)

Luminaire Flux	3440.92 lm	Luminaire Power	25.42 W	Efficacy	135.36 lm/W	Efficiency	188.72%
Lamps Flux	1823.33 lm	Maximum value	7585.01 cd/klm	Position	C=0.00 G=0.00	CG	Asymmetrical

Average Luminance [cd/m²]										
0.0°	45°	50°	55°	60°	65°	70°	75°	80°	85°	
8065	6293	5840	5997	5677	4442	2976	865	1172	---	
8688	7086	6416	5798	5353	4383	2796	843	1341	---	

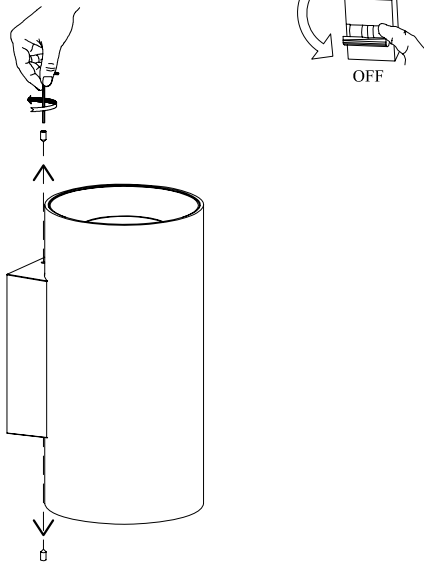
Flush mounted or longitudinal view												
		Illumination(Ix)										
A	A	2000	1000	750	500		<300					1.15
B	1		2000	1500	1000	750	500	<300				1.5
C					2000		1000	500	<300			1.85
D	2						2000	1000	500	<300		2.2
E	3							2000	1000	500	<300	2.55



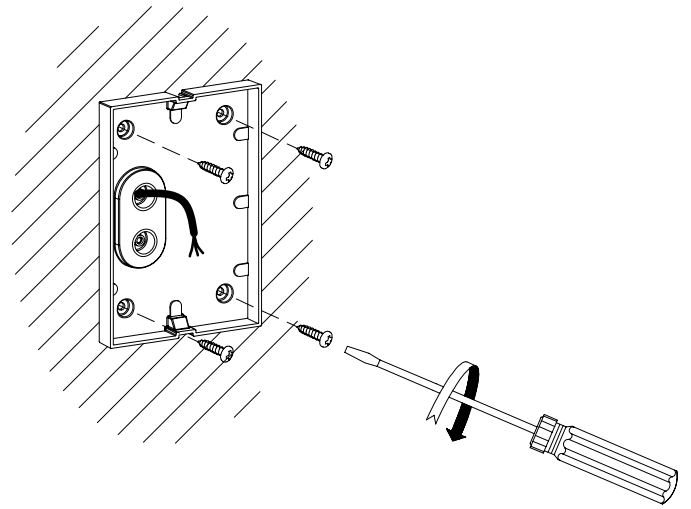


PLANTILLA DE INSTALACIÓN
INSTALLATION TEMPLATE

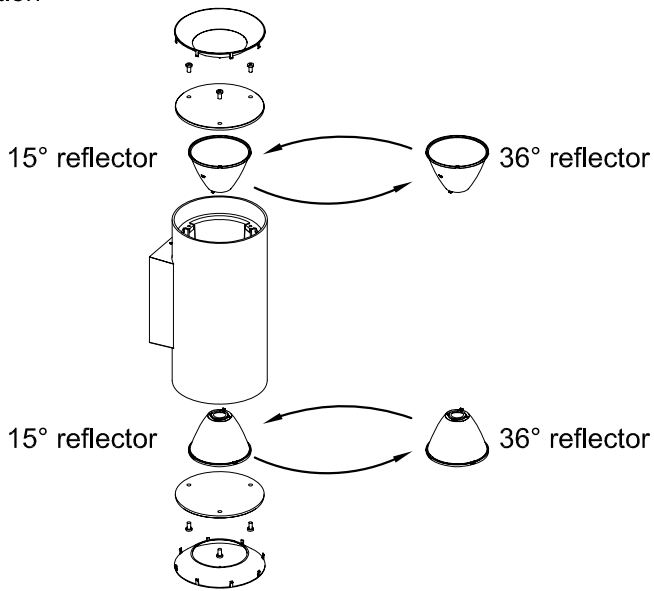
①



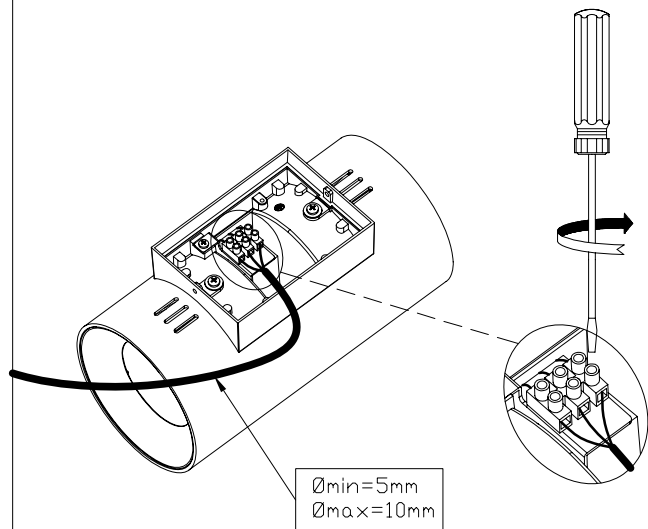
②



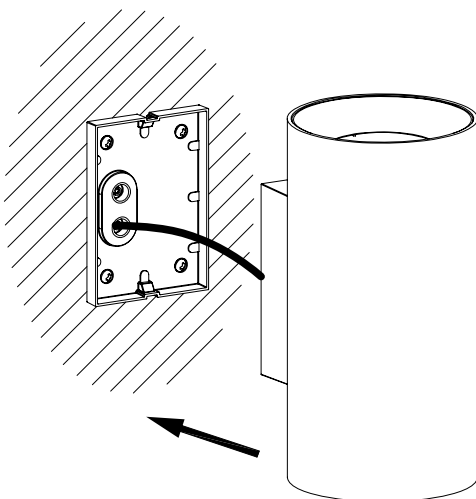
Option



③



④



⑤

