

PRODUCT DATA SHEET

Part number **111**

EAN	4015609000029
Manufacturer	WALTHER-WERKE
WEEE-Reg.-Number:	DE 22131895

Product description

Wall socket for internal fixing 16A 5P 6h with two knock-out cable entries both on top and bottom and one knock-out floor entry



Similar image

Detailed product description

WALTHER Wall socket 16A 5P 400V 6h IP44
 made from PA6 material
 with screw terminal
 with one top cable entry
 for external fixing




Ordering Information

Order unit	Piece
Customs number	85366990
Net weight	
Packing quantity (VPE)	5
Length of the packaging	0,31 m
Width of the packaging	0,255 m
Depth of the packaging	0,15 m
Gross weight(VPE)	0,196 kg

Certificates

VDE certification **123017**



UL certification	No. E83342	
UL certification	No. E188992	
EAC certification	BY112.02.01.020 06089	

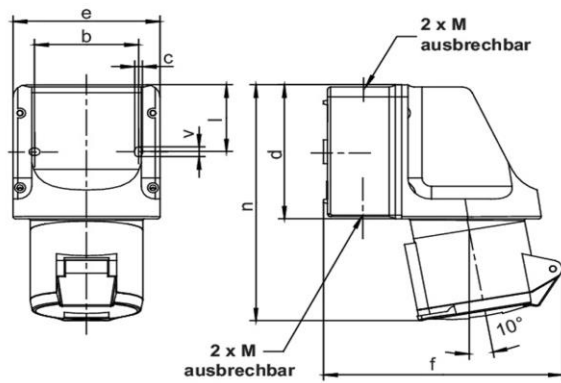
Classification system

Classification system	ETIM_6.0
ETIM Class	EC001321

Technical product data

Model	Surface mounted (plaster)
IEC-amperage	16 A
Amperage acc. UL/CSA (for UL-version)	20 A
Number of poles	5
Voltage acc. EN 60309-2	400 V (50+60 Hz) red
Clock hour position	6 h
Identification colour	Red
RAL-number	3000
Degree of protection (IP)	IP44
Connection system	Screwed terminal
Material	Plastic
Type of fastening	Inner lying mounting
Insulated mounting	True

Dimension sheet



Amp.	16			32		
Pole	3	4	5	3	4	5
b	66,5	66,5	66,5	66,5	66,5	66,5
c	5	5	5	5	5	5
d	96	96	96	96	96	96
e	95	95	95	95	95	95
f	140	143	146	154	154	157
l	47,5	47,5	47,5	47,5	47,5	47,5
n	160	164	164	173	173	173
v	7	7	7	7	7	7
M	20/25	20/25	20/25	20/25	20/25	20/25