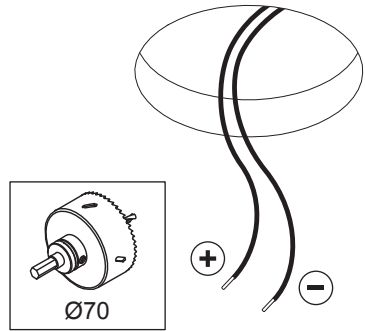
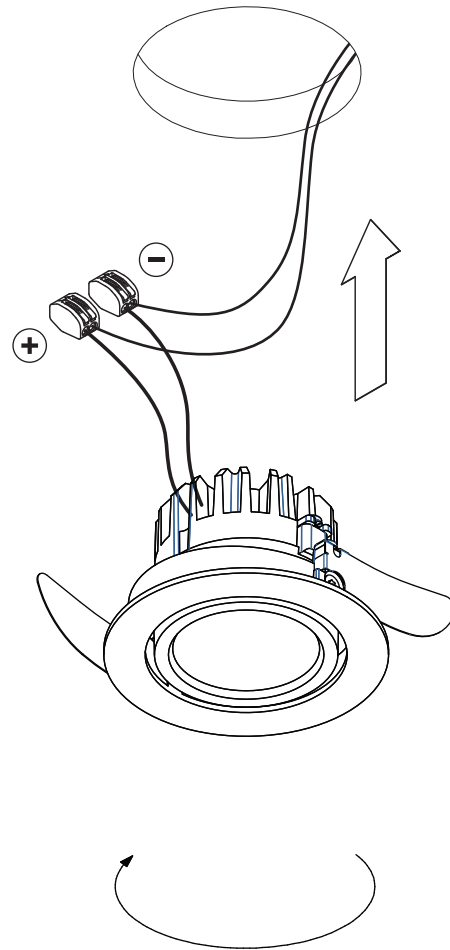


K 77 Adjustable LED GE

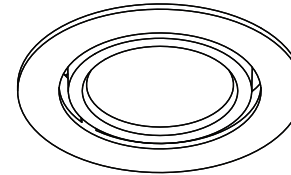
140500XX 140501XX 140502XX 140503XX 140504XX 140505XX 140506XX 140507XX 140508XX



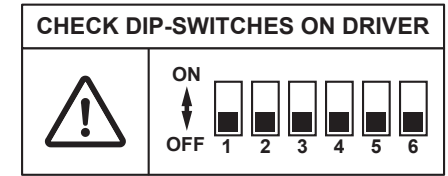
350mA - min 16,5Vf - max 17,8Vf - 6,2W
500mA - min 17,1Vf - max 19,8Vf - 9,2W



install : Twist clockwise
uninstall : Twist counterclockwise



Replace protective shield when broken.
The luminaire shall only be used complete with its protective shield.
Reference number: 1011481



check dipswitch settings on driver
Push Dim max 5 drivers on 1 push button

The light source contained in this luminaire shall only be replaced by the manufacturer or his service agent or a similar qualified person

CAN BE USED WITH
drivers:
see driver matrix - latest version on website
www.supermodular.com or check sales contact

