

DH-PFB200C

In-ceiling Mount Bracket



Features

- Aesthetic design
- In-ceiling mount bracket
- Material: SECC & PC

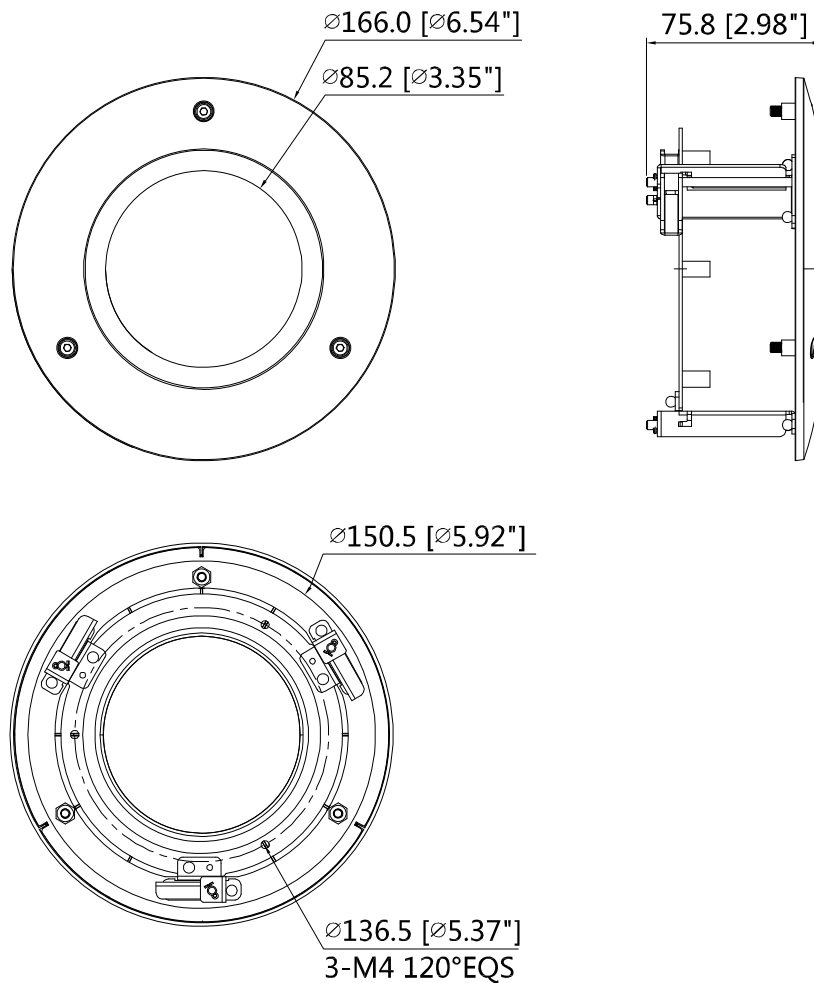
Technical Specifications

Model	DH-PFB200C
General	
Material	SECC & PC
Dimension	Φ166mmx75.8mm (Φ6.54"x2.98")
Inch Thread	G3/4"
Operating Temperature	-40°C~+60°C (-40°F ~+140°F)
Humidity	0~90% RH
Load Bearing	1kg (2.2lb)
Weight	0.32kg (0.71lb)
Color	White
Applicable Model	Please see "Accessory Selection"

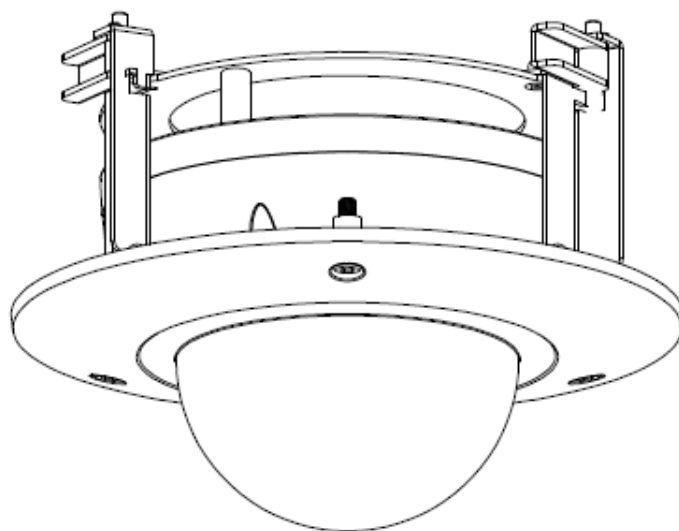
Order Information

Type	Part Number	Description
Camera Mount Series	DH-PFB200C	In-ceiling mount bracket
	PFB200C	In-ceiling mount bracket

Dimensions (mm/inch)



Application



Package Information

- In-ceiling mount bracket *1
- M4 screw *3
- Wrench *1