



WEVER & DUCRÉ  
LIGHTING

# PLANO 2.0 PAR16

118220Q0

Project

Type

Notities

Kwantiteit

Datum

## ALGEMEEN

Plafond

Ingebouwd

Tilt min 35°

Tilt max 35°

Rotation 355°

Brons

IP20

Interieur

860<sup>a</sup> tot 895<sup>b</sup> lm

## LED

Lamp 2 x PAR16

PAR16

Socket GU10

max. 12.0 W

CRI ≥ 90

## OPTISCH

Wide Flood

Beam angle 48°

## ELEKTRISCH

100 - 240 V

LED inset 13.0 W

Klasse 2

Veiligheidsafstand 0.3 m

## FYSISCH

Lengte 156 mm

Width 85 mm

Height 115 mm

0.4 kg

## CUTOUT

Lengte 74 mm

Breedte 148 mm

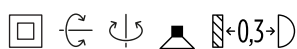
Min. ceiling thickness 2 mm

Max. ceiling thickness 18 mm

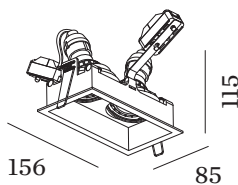
Recessed depth 120 mm

<sup>a</sup> PAR16 LAMP 2700K CRI90

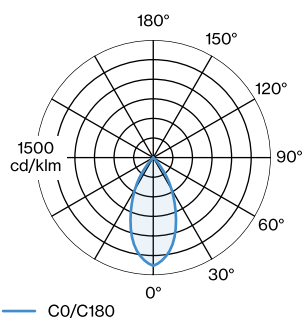
<sup>b</sup> PAR16 LAMP 3000K CRI90



Rechthoekige downlight van gegoten aluminium, voor plafondbouw; regelbaar; oppervlak Brons; nat-gelakt; mat glad; gereedschapsloze installatie met draadveren; geschikt voor plafonddikte van 2-18 mm; inbouwdiepte 120 mm; lampfitting GU10; lamptype PAR16; max. 12W; 100 - 240 V; 355° draaibaar en 35° kantelbaar; beschermingsgraad IP20; PC2; lamp niet inbegrepen;



## LICHTVERDELING





WEVER & DUCRÉ  
LIGHTING

# PLANO 2.0 PAR16

118220Q0

## KEGELDIAGRAM

wide flood 48°

| h (m) | EO° (lx) | ø (m) |
|-------|----------|-------|
| 1     | 1330     | 0.89  |
| 2     | 330      | 1.78  |
| 3     | 150      | 2.66  |
| 4     | 80       | 3.55  |
| 5     | 50       | 4.44  |

## MONTAGE

### Plasterkit

| TYPE      | L-H (MM) | ORDERCODE       |
|-----------|----------|-----------------|
| PLANO 2.0 | 180-270  | 9 0 0 1 7 1 0 5 |

## ANDERE

### Metalen veerklem

| TYPE                          | Ø (MM) | ORDERCODE       |
|-------------------------------|--------|-----------------|
| MR16   LED   PAR16   max. 12W | 59     | 9 0 0 1 9 7 0 0 |



### Veerklem

| TYPE                          | KLEUR  | Ø (MM) | ORDERCODE       |
|-------------------------------|--------|--------|-----------------|
| MR16   LED   PAR16   max. 12W | Zwart  | 59     | 9 0 0 1 9 8 B 0 |
| MR16   LED   PAR16   max. 12W | Goud   | 59     | 9 0 0 1 9 8 G 0 |
| MR16   LED   PAR16   max. 12W | Brons  | 59     | 9 0 0 1 9 8 Q 0 |
| MR16   LED   PAR16   max. 12W | Zilver | 59     | 9 0 0 1 9 8 S 0 |
| MR16   LED   PAR16   max. 12W | Wit    | 59     | 9 0 0 1 9 8 W 0 |

## ARMATUREN

### PAR16 LED lamp

| TYPE                   | KLEUR  | Ø-H (MM) | ORDERCODE       |
|------------------------|--------|----------|-----------------|
| 2700K   >90 CRI   GU10 | Zwart  | ø50-58   | 9 0 1 2 2 8 B 3 |
| 3000K   >90 CRI   GU10 | Zwart  | ø50-58   | 9 0 1 2 2 8 B 5 |
| 2700K   >90 CRI   GU10 | Wit    | ø50-58   | 9 0 1 2 2 8 W 3 |
| 3000K   >90 CRI   GU10 | Wit    | ø50-58   | 9 0 1 2 2 8 W 5 |
| 2700K   >80 CRI   GU10 | Zilver | ø50-52   | 9 0 5 2 2 7 S 2 |
| 3000K   >80 CRI   GU10 | Zilver | ø50-52   | 9 0 5 2 2 7 S 4 |