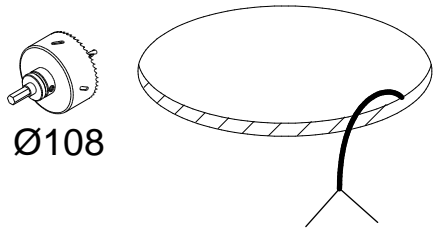


# Smart KUP 115 LED GE

127610XX - 127611XX - 127612XX - 127613XX - 127614XX - 127615XX -  
127616XX - 127617XX - 127618XX

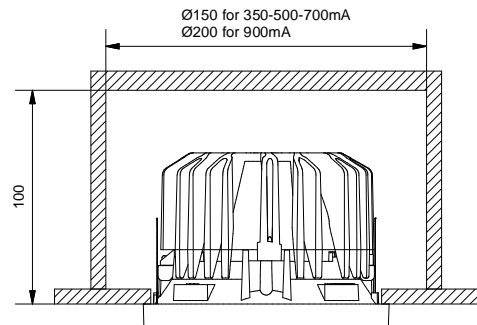
Lamptype : LED array

1

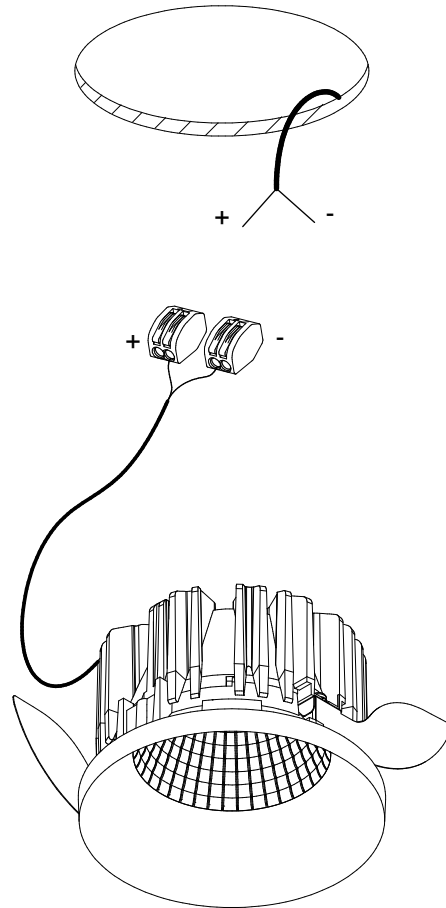


Ø108

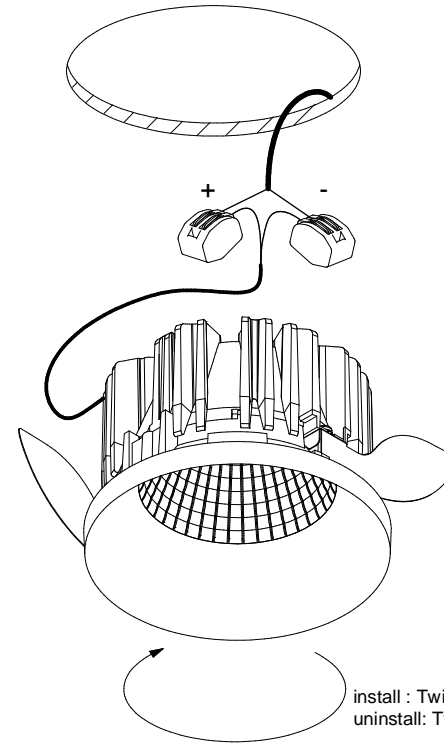
350mA - min 29,1Vf - max 33,7Vf - 11W  
500mA - min 29,9Vf - max 34,7Vf - 16,2W  
700mA - min 31,0Vf - max 35,8Vf - 23,4W  
900mA - min 31,7Vf - max 36,9Vf - 31,2W



2

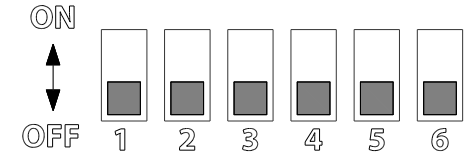
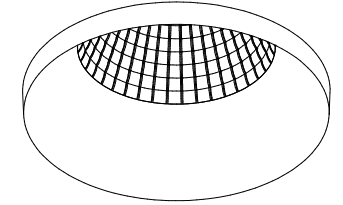


3



install : Twist clockwise  
uninstall: Twist counterclockwise

4



check dipswitch settings on driver  
Max 900mA mounted in ceiling  
Max 700mA mounted in Surface Box



Push Dim max 5 drivers on 1 push button

The light source contained in this luminaire shall only be replaced by the manufacturer or his service agent or a similar qualified person

## CAN BE USED WITH

**drivers**  
see driver matrix - latest version on website  
[www.supermodular.com](http://www.supermodular.com) or check sales contact

**Surface box**  
128000xx Smart surface box dia 115 GI for 1 LED GE  
128001xx Smart surface box dia 115 1-10V/pushdim GI for 1 LED GE  
128002xx Smart surface box dia 115 dali/pushdim GI for 1 LED GE  
128010xx Smart surface box dia 115 GI for 2x LED GE  
128011xx Smart surface box dia 115 1-10V/pushdim GI for 2x LED GE  
128012xx Smart surface box dia 115 dali/pushdim GI for 2x LED GE

**Gypkit - conbox**  
12290530 Gypkit 190X190XDIA108  
10889830 Conbox outer dim. 190x192x130

**Mask**  
12810009 Smart mask ø115 1x Whstr  
12810032 Smart mask ø115 1x Blstr  
12810046 Smart mask ø115 1x Gold  
12810109 Smart mask ø115 2x Whstr  
12810132 Smart mask ø115 2x Blstr  
12810146 Smart mask ø115 2x Gold

**Reflector**  
11949930 Reflector DIA 80 LED Spot  
11949730 Reflector DIA 80 LED Flood

