

Date _____

Name _____

Client _____

Project Name _____

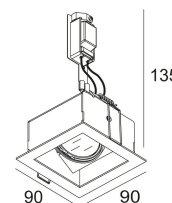
Quote# _____


Type/Quantity _____

CARREE II OK S1

202 21 31

[Weblink](#)



Cutout shape/size:  75 x 75 mm

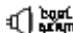
Recessed depth: 80 mm

Thickness of mounting surface: max.35

Available colors: ALU GREY (202 21 31 A)
 CHROMED-BLACK (202 21 31 C-B)
 WHITE (202 21 31 W)
 ALUMINIUM-ALU GREY (202 21 31 ALU-A)
 ALUMINIUM-BLACK (202 21 31 ALU-B)

ADJUSTABLE 0°- 30°

GX5.3 // 12V // EXCL.TRANSFO

 1 x QR-C51 max.50W

Class: III

Weight: 0.3 KG

Protection level: IP20

Minimum distance: 0,5m

Remarks: WHITE finish : max. 35W

Options: PLASTERKIT 161
 CONCRETE BOX 161
 MOUNTING KIT 75
 TRANSFO

Accessories: ANTI GLARE TUBE
 DICROIC FILTER 50

For detailed installation instructions, please consult the manual. [202_21_31_HAND.pdf](#)

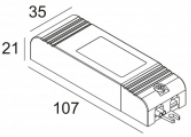
CARREE II OK S1

202 21 31

Related references

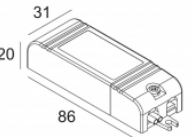
CONTROL GEAR, BALLAST AND TRANSFORMERS

[Weblink / Specsheat](#)



TRANSFO 100W
200 46 10
220-240V / 50-60Hz

[Weblink / Specsheat](#)

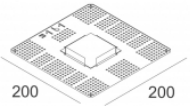


TRANSFO 50W
200 46 06
220-240V / 50-60Hz

Related references

PLASTERKITS

[Weblink / Specsheat](#)

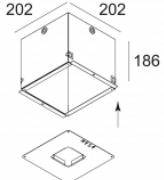


PLASTERKIT 161
207 01 161

Related references

CONCRETE BOXES

[Weblink / Specsheat](#)

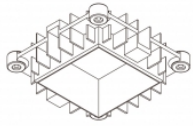


CONCRETE BOX 161
270 11 161

Related references

MOUNTING KITS

[Weblink / Specsheet](#)

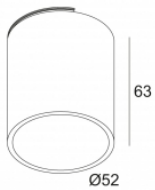


MOUNTING KIT 75
202 00 75

Related references

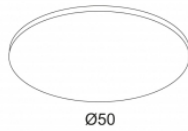
LIGHT ALTERING DEVICES

[Weblink / Specsheet](#)



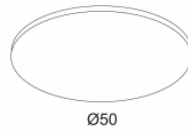
ANTI-GLARE TUBE
201 34 00

[Weblink / Specsheet](#)



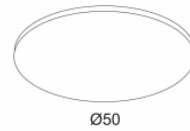
DICROIC FILTER 50 BLUE
201 30 11

[Weblink / Specsheet](#)



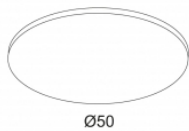
DICROIC FILTER 50
GREEN
201 30 12

[Weblink / Specsheet](#)



DICROIC FILTER 50 RED
201 30 13

[Weblink / Specsheet](#)



DICROIC FILTER 50
YELLOW
201 30 14

CARREE II OK S1
202 21 31

Project picture

