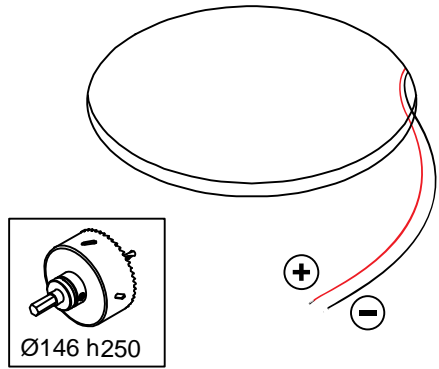
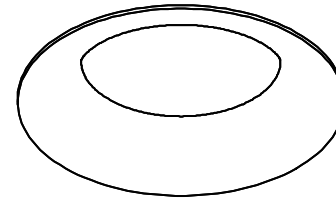
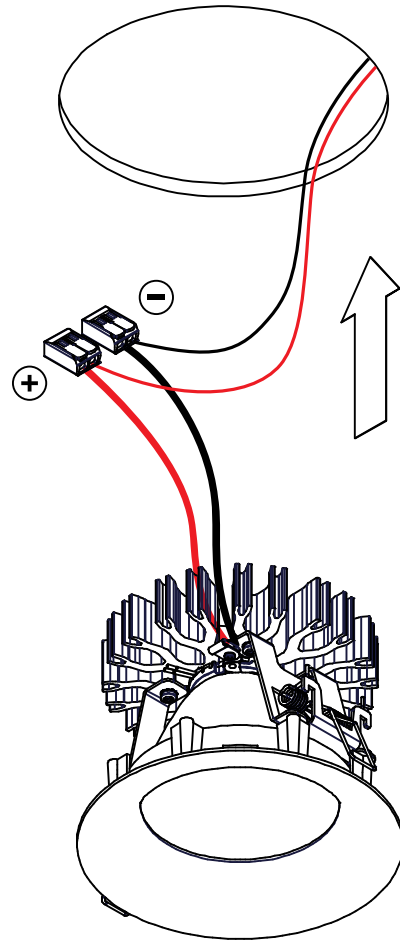


Smart Cake 160 IP GE

130040XX_130041XX_130042XX_130043XX_130044XX_130045XX_130046XX_130047XX_130048XX_130050XX_130051XX_130052XX



| Drive Current (mA) | Forward Voltage | | Power (W) |
|--------------------|-----------------|----------|-----------|
| | min (Vf) | max (Vf) | |
| 500 | 30,6 | 35,4 | 16,0 |
| 700 | 31,2 | 36,0 | 23,5 |
| 900 | 31,8 | 36,6 | 30,8 |
| 1050 | 32,1 | 37,1 | 36,3 |
| 1200 | 32,5 | 37,5 | 42,0 |
| 1400 | 33,0 | 38,0 | 49,7 |



CHECK DIP-SWITCHES ON DRIVER

ON

↑

OFF

check dipswitch settings on driver
Push Dim max 5 drivers on 1 push button

The light source contained in this luminaire shall only be replaced by the manufacturer or his service agent or a similar qualified person

CAN BE USED WITH
drivers:
see driver matrix - latest version on website
www.supermodular.com or check sales contact

Mask:
13040009 Smart Mask 160 Whstr
13040032 Smart Mask 160 Blstr

