



# RoHS



Fichas e Tomadas Industriais  
 Tomas de Corriente  
 Industrial Plugs and Sockets  
 Prises et Fiches industrielles

Produto Certificado  
 Certified Product  
 Produit Certifié



IP 44



IP 67



Certificadas de acordo com IEC 60309-1 e 60309-2  
 Certificadas según IEC 60309-1 y 60309-2  
 Certified according IEC 60309-1 and 60309-2  
 Certifiés selon IEC 60309-1 et 60309-2





Especialmente para ambientes de trabalho difíceis  
Especialmente para condiciones difíciles de trabajo



Specially for hard environments  
Spécialement pour les environnements difficiles





As fichas e tomadas industriais tipo CEE podem, e em algumas circunstâncias, devem ser utilizadas na indústria, no comércio, em parques de campismo, na agricultura, em barcos e iates, em camiões e caravanas.

Os componentes plásticos são fabricados em material termoplástico de alta qualidade o que os torna virtualmente indestrutíveis.

Os bornes são feitos em latão maciço com elevado teor de cobre para evitar sobreaquecimentos.

As fichas e tomadas industriais JSL distinguem-se pelas seguintes qualidades que facilitam a instalação e reduzem os custos de manutenção ao mínimo:

- Fáceis de instalar;
- Grande acessibilidade ao espaço de alojamento dos cabos;
- Elevada pressão de contacto;
- Montagem e desmontagem extremamente simples;
- Livres de halogéneo;
- Alta resistência a agentes químicos e detergentes;
- Impossibilidade de erros na instalação;
- Parafusos completamente inoxidáveis.

De acordo com as Normas:

Conformément aux Normes:

Conforme las Normas:

Norm's compliance:

- EN 60529 (para o IP)
- EN 50102 (para o IK)
- IEC 60309-1
- IEC 60309-2
- EN 60309-1
- EN 60309-2

Las bases y clavijas industriales tipo CEE se utilizan en sectores industriales muy diversos, desde el comercio, camping, barcos y yates, camiones y caravanas hasta el sector agrícola.

Los componentes plásticos son de un material termoplástico de alta calidad lo que los hace virtualmente indestructibles.

Los bornes son de latón macizo con un alto contenido de cobre para evitar sobrecalentamientos.

Las bases y clavijas industriales JSL se destacan por características que facilitan la instalación y bajan los costes de mantenimiento:

- Fácil instalación;
- Gran accesibilidad al alojamiento de los cables;
- Alta presión de contacto;
- Montaje muy simple;
- Libres de halógenos;
- Alta resistencia a los agentes químicos y disolventes;
- Imposibilidad de errores en la instalación;
- Tornillos completamente inoxidables.

EEC form plugs and sockets can and, under certain circumstances, must be used in industry, in commercial premises, in parks, in agriculture, in marinas, for trailers and mobile homes.

The plastic parts are moulded from a high quality thermoplastic material which is virtually indestructible.

The contact pins and tubes are made of solid brass.

JSL EEC plugs and sockets are distinguished by the following features which ease installation by using outstanding mechanical and electric properties that keep maintenance costs to a minimum:

- Easy to install;
- Very accessible wiring space;
- High contact pressure;
- Low force required for insertion and withdrawal;
- Halogen free;
- High resistance to chemicals and detergents;
- Fool-proof assembly;
- Fully stainless steel screws;
- Screws totally inoxidizable.

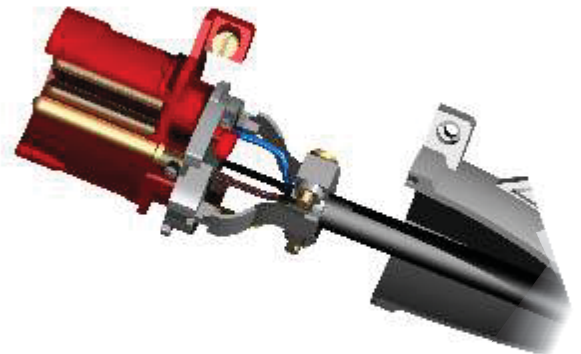
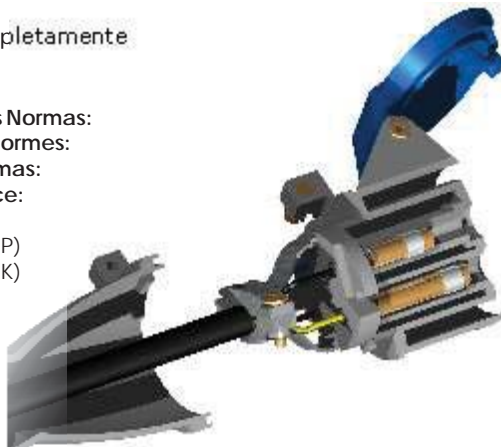
Les prises et fiches industrielles du type CEE peuvent, et doivent, selon les circonstances, être utilisées dans l'industrie, le tertiaire, les campings, l'agriculture, les ports de plaisance, les camions et les mobile homes.

Les composants plastiques sont fabriqués à partir d'un matériel thermoplastique de très haute qualité ce qui les rend quasiment indestructibles.

Les bornes sont fabriquées en laiton massif dans un cuivre de très haute qualité, afin d'éviter tout risque de surchauffe.

Les prises et fiches industrielles JSL se distinguent par les caractéristiques suivantes qui facilitent l'installation et réduisent les coûts de maintenance:

- Installation facile;
- Beaucoup de place pour câbler;
- Bon serrage des contacts aux bornes;
- Montage et démontage très simple;
- Sans halogènes;
- Bonne résistance aux agents chimiques et détergents;
- Montage correct garanti;
- Vis inoxydables.

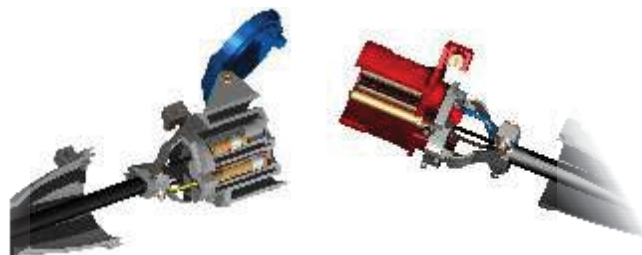
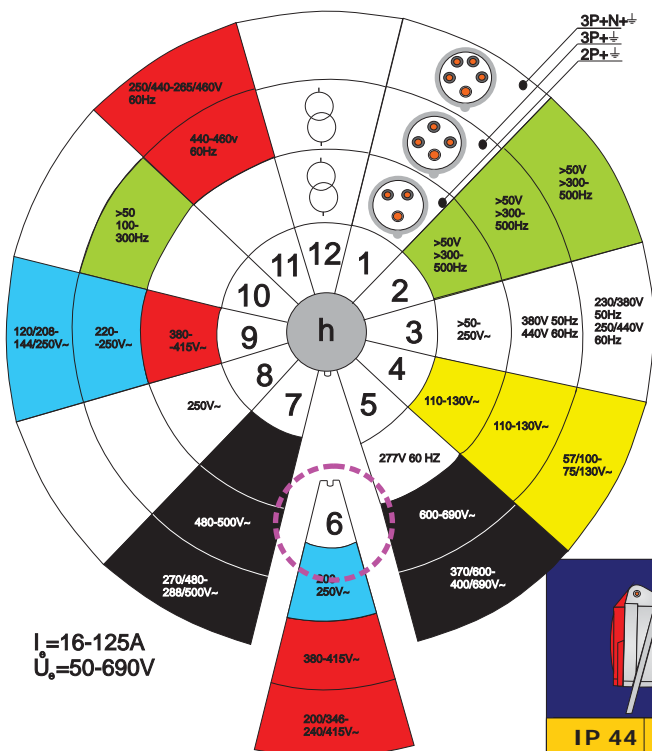


► Informação

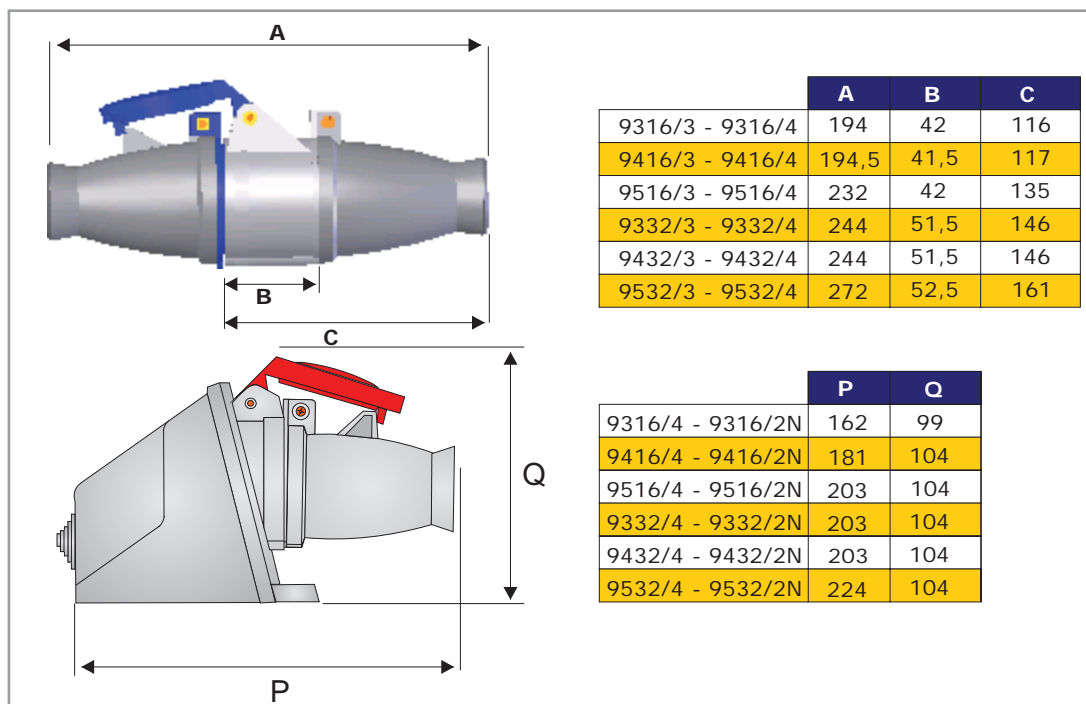
► Información

► Information

► Information



| A  | V       | ⚡       | Ref.              | Ref.     | Ref.    | Ref.     | Ref.   | Ref.     | Ref.   | Ref.     |
|----|---------|---------|-------------------|----------|---------|----------|--------|----------|--------|----------|
| 16 | 230     | 2P+⊥    | 9210/TC           |          |         |          |        |          |        |          |
|    | 230     | 2P+⊥    | 9316/1<br>9316/1N | 679316/1 | 9316/2N | 679316/2 | 9316/3 | 679316/3 | 9316/4 | 679316/4 |
|    | 400     | 3P+⊥    | 9416/1            | 679416/1 | 9416/2N | 679416/2 | 9416/3 | 679416/3 | 9416/4 | 679416/4 |
|    |         | 3P+ N+⊥ | 9516/1            | 679516/1 | 9516/2N | 679516/2 | 9516/3 | 679516/3 | 9516/4 | 679516/4 |
| 32 | 230     | 2P+⊥    | 9332/1            | 679332/1 | 9332/2N | 679332/2 | 9332/3 | 679332/3 | 9332/4 | 679332/4 |
|    | 400     | 3P+⊥    | 9432/1            | 679432/1 | 9432/2N | 679432/2 | 9432/3 | 679432/3 | 9432/4 | 679432/4 |
|    | 230/400 | 3P+ N+⊥ | 9532/1            | 679532/1 | 9532/2N | 679532/2 | 9532/3 | 679532/3 | 9532/4 | 679532/4 |
|    | 250     | 2P+⊥    |                   | 679363/5 |         | 679363/6 |        | 679363/7 |        | 679363/8 |
| 63 | 415     | 3P+⊥    |                   | 679463/5 |         | 679463/6 |        | 679463/7 |        | 679463/8 |
|    | 220/415 | 3P+ N+⊥ |                   | 679563/5 |         | 679563/6 |        | 679563/7 |        | 679563/8 |

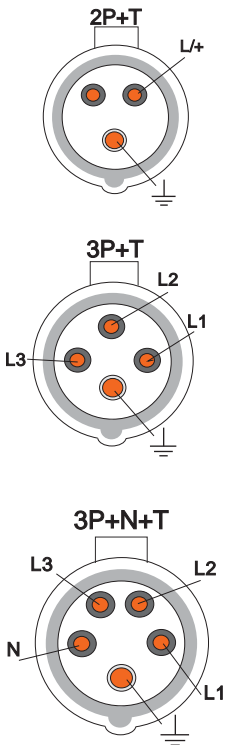


► Fichas

► Clavijas

► Plugs

► Fiches



-5° C  
+80° C

Material Termoplástico  
Material Termoplastico  
Thermoplastic Material  
Materiel Termoplastique

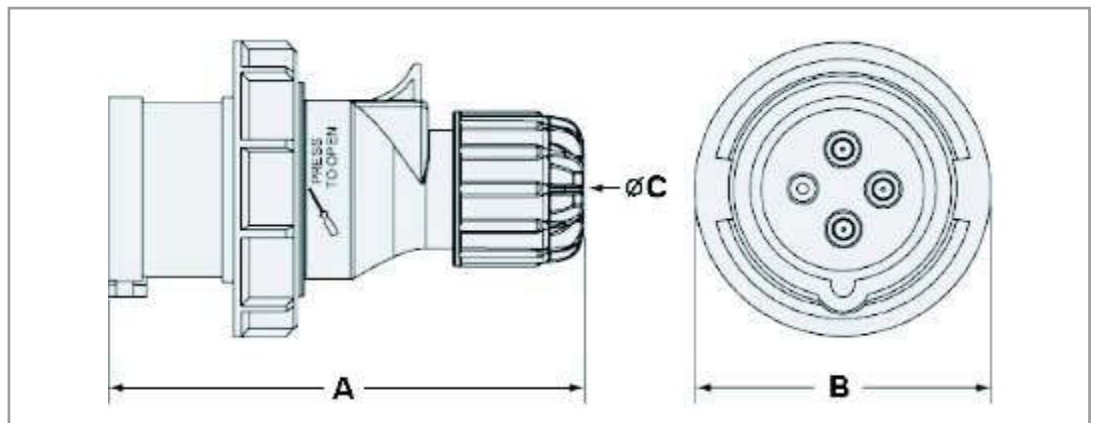
REACH

HALO HF

RoHS



| REF      | ⊕         | Amp. | Hz    | Volt.   | IP | IK | (mm <sup>2</sup> ) | (mm <sup>2</sup> )<br>ØCab. | 📦  |
|----------|-----------|------|-------|---------|----|----|--------------------|-----------------------------|----|
| 679316/4 | 2P+T(E)   | 16   | 50/60 | 250     | 67 | 09 | 1,5-2.5            | 8-12                        | 10 |
| 679416/4 | 3P+T(E)   | 16   | 50/60 | 415     | 67 | 09 | 1,5-2.5            | 8-12                        | 10 |
| 679516/4 | 3P+N+T(E) | 16   | 50/60 | 240/415 | 67 | 09 | 1,5-2,5            | 8-12                        | 10 |
| 679332/4 | 2P+T(E)   | 32   | 50/60 | 250     | 67 | 09 | 2,5-6              | 12-17                       | 10 |
| 679432/4 | 3P+T(E)   | 32   | 50/60 | 415     | 67 | 09 | 2,5-6              | 12-17                       | 10 |
| 679532/4 | 3P+N+T(E) | 32   | 50/60 | 240/410 | 67 | 09 | 2,5-6              | 12-17                       | 10 |
| 679363/8 | 2P+T(E)   | 63   | 50/60 | 250     | 67 | 09 | 6-16               | 16-30                       | 1  |
| 679463/8 | 3P+T(E)   | 63   | 50/60 | 380/415 | 67 | 09 | 6-16               | 16-30                       | 1  |
| 679563/8 | 3P+N+T(E) | 63   | 50/60 | 230/415 | 67 | 09 | 6-16               | 16-30                       | 1  |



|          | A   | B     | C  |
|----------|-----|-------|----|
| 679316/4 | 120 | 71    | 12 |
| 679416/4 | 125 | 79    | 12 |
| 679516/4 | 133 | 87    | 12 |
| 679332/4 | 150 | 93    | 17 |
| 679432/4 | 150 | 93    | 17 |
| 679532/4 | 155 | 100   | 17 |
| 679363/8 | 250 | 112,5 | 30 |
| 679463/8 | 250 | 112,5 | 30 |
| 679563/8 | 250 | 112,5 | 30 |

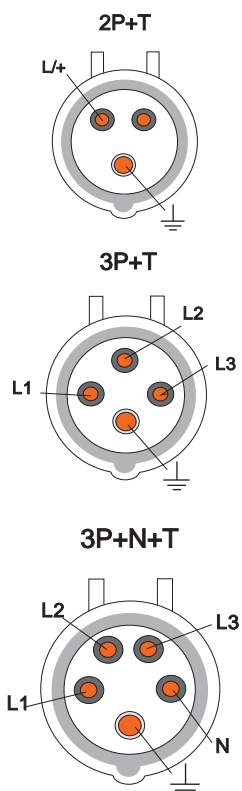


► Tomadas Móveis

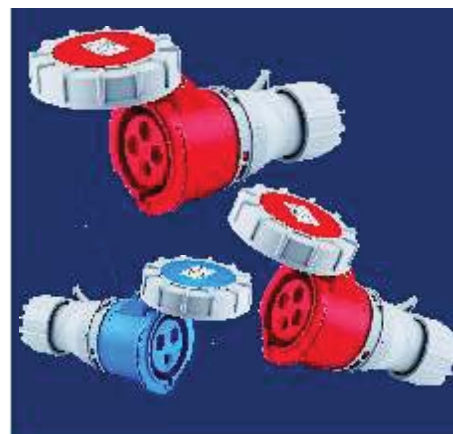
► Prolongadores

► Connectors (couplers)

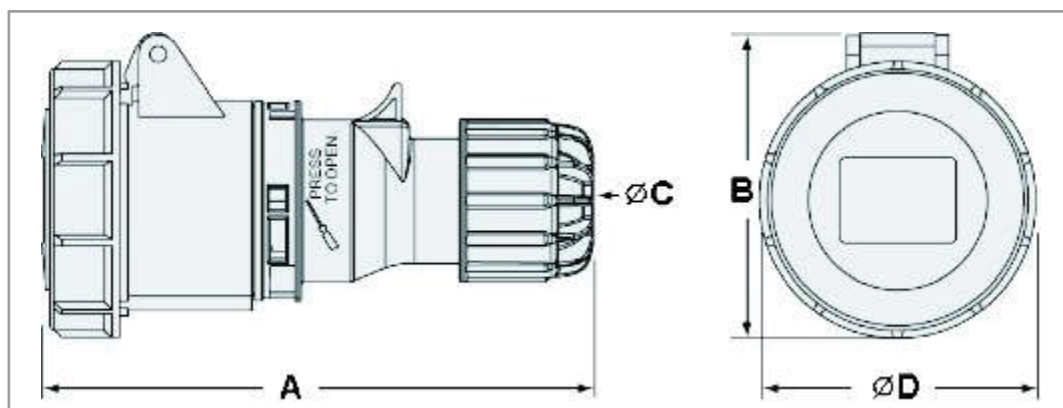
► Prises Mobiles



-5° C  
+80° C  
 Material Termoplástico  
 Material Termoplastico  
 Thermoplastic Material  
 Materiel Termoplastique



| REF      | ⊕         | Amp. | Hz    | Volt.   | IP | IK | (mm <sup>2</sup> ) | (mm <sup>2</sup> ) | ⊠  |
|----------|-----------|------|-------|---------|----|----|--------------------|--------------------|----|
| 679316/3 | 2P+T(E)   | 16   | 50/60 | 250     | 67 | 09 | 1,5-2,5            | 8-12               | 10 |
| 679416/3 | 3P+T(E)   | 16   | 50/60 | 415     | 67 | 09 | 1,5-2,5            | 8-12               | 10 |
| 679516/3 | 3P+N+T(E) | 16   | 50/60 | 220/415 | 67 | 09 | 1,5-2,5            | 8-12               | 10 |
| 679332/3 | 2P+T(E)   | 32   | 50/60 | 250     | 67 | 09 | 2,5-6              | 12-17              | 10 |
| 679432/3 | 3P+T(E)   | 32   | 50/60 | 415     | 67 | 09 | 2,5-6              | 12-17              | 10 |
| 679532/3 | 3P+N+T(E) | 32   | 50/60 | 220/415 | 67 | 09 | 2,5-6              | 12-17              | 10 |
| 679363/7 | 2P+T(E)   | 63   | 50/60 | 250     | 67 | 09 | 6-16               | 18-30              | 1  |
| 679463/7 | 3P+T(E)   | 63   | 50/60 | 415     | 67 | 09 | 6-16               | 18-30              | 1  |
| 679563/7 | 3P+N+T(E) | 63   | 50/60 | 220/415 | 67 | 09 | 6-16               | 18-30              | 1  |



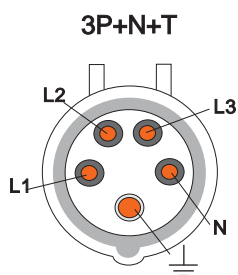
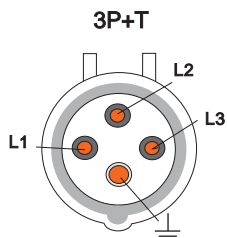
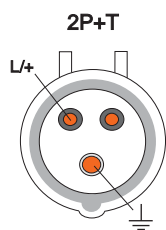
|          | A   | B   | C  | D   |
|----------|-----|-----|----|-----|
| 679316/3 | 134 | 80  | 12 | 71  |
| 679416/3 | 138 | 85  | 12 | 79  |
| 679516/3 | 146 | 93  | 12 | 87  |
| 679332/3 | 166 | 98  | 17 | 94  |
| 679432/3 | 166 | 98  | 17 | 94  |
| 679532/3 | 171 | 104 | 17 | 100 |
| 679363/7 | 271 | 115 | 30 | 109 |
| 679463/7 | 271 | 115 | 30 | 109 |
| 679563/7 | 271 | 115 | 30 | 109 |

► Tomadas de Parede

► Bases Murales

► Wall Receptacles

► Socles Saillies

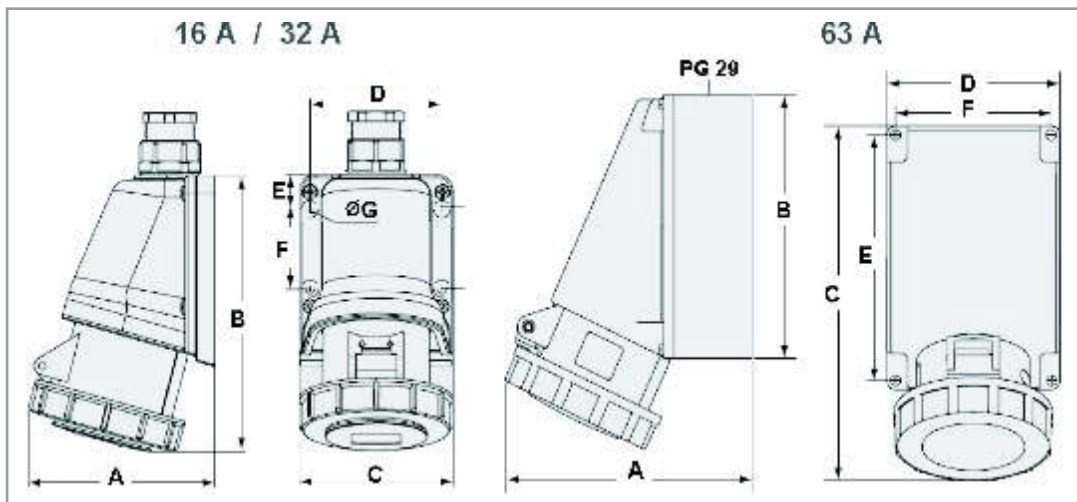


-5° C  
+80° C

Material Termoplástico  
Material Termoplastico  
Thermoplastic Material  
Materiel Termoplastique



| REF      | ⊕         | Amp. | Hz    | Volt.   | IP | IK | (mm <sup>2</sup> ) | (mm <sup>2</sup> )<br>ØCab. | 📦  |
|----------|-----------|------|-------|---------|----|----|--------------------|-----------------------------|----|
| 679316/2 | 2P+T(E)   | 16   | 50/60 | 250     | 67 | 09 | 1,5-4              | 10-14                       | 10 |
| 679416/2 | 3P+T(E)   | 16   | 50/60 | 415     | 67 | 09 | 1,5-4              | 10-14                       | 10 |
| 679516/2 | 3P+N+T(E) | 16   | 50/60 | 220/415 | 67 | 09 | 1,5-4              | 10-14                       | 10 |
| 679332/2 | 2P+T(E)   | 32   | 50/60 | 250     | 67 | 09 | 2,5-10             | 12-17                       | 10 |
| 679432/2 | 3P+T(E)   | 32   | 50/60 | 415     | 67 | 09 | 2,5-10             | 12-17                       | 10 |
| 679532/2 | 3P+N+T(E) | 32   | 50/60 | 220/415 | 67 | 09 | 2,5-10             | 12-17                       | 10 |
| 679363/6 | 2P+T(E)   | 63   | 50/60 | 250     | 67 | 09 | 6-25               | 18-25                       | 1  |
| 679463/6 | 3P+T(E)   | 63   | 50/60 | 415     | 67 | 09 | 6-25               | 18-25                       | 1  |
| 679563/6 | 3P+N+T(E) | 63   | 50/60 | 220/415 | 67 | 09 | 6-25               | 18-25                       | 1  |



|          | A   | B   | C   | D   | E   | F   | G   |
|----------|-----|-----|-----|-----|-----|-----|-----|
| 679316/2 | 101 | 150 | 94  | 80  | 20  | 46  | 5,5 |
| 679416/2 | 104 | 150 | 94  | 80  | 20  | 46  | 5,5 |
| 679516/2 | 107 | 151 | 94  | 80  | 20  | 46  | 5,5 |
| 679332/2 | 114 | 162 | 94  | 80  | 20  | 46  | 5,5 |
| 679432/2 | 114 | 162 | 94  | 80  | 20  | 46  | 5,5 |
| 679532/2 | 116 | 163 | 94  | 80  | 20  | 46  | 5,5 |
| 679363/6 | 171 | 170 | 230 | 118 | 158 | 106 | -   |
| 679463/6 | 171 | 170 | 230 | 118 | 158 | 106 | -   |
| 679563/6 | 171 | 170 | 230 | 118 | 158 | 106 | -   |

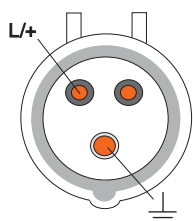
► Tomadas Interiores

► Bases de Empotrar

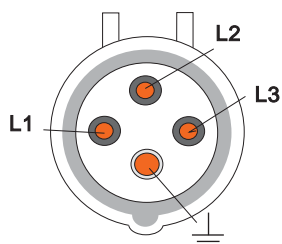
► Panel Mounted Receptacles (angled)

► Socles de Tableau

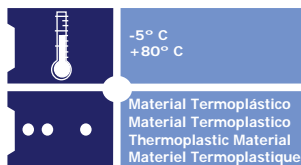
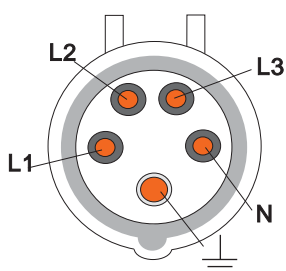
2P+T



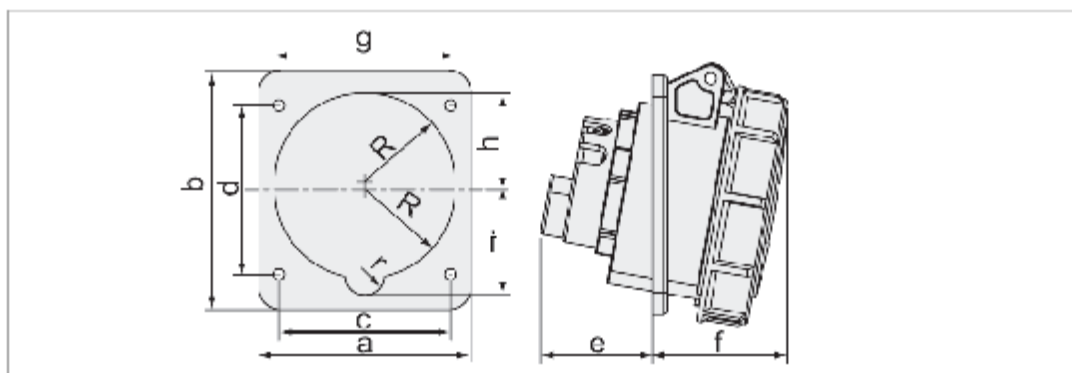
3P+T



3P+N+T



| REF      | ⚡         | Amp. | Hz    | Volt.   | IP | IK | 🔪 (mm <sup>2</sup> ) | 📦  |
|----------|-----------|------|-------|---------|----|----|----------------------|----|
| 679316/1 | 2P+T(E)   | 16   | 50/60 | 250     | 67 | 09 | 1,5-4                | 10 |
| 679416/1 | 3P+T(E)   | 16   | 50/60 | 415     | 67 | 09 | 1,5-4                | 10 |
| 679516/1 | 3P+N+T(E) | 16   | 50/60 | 220/415 | 67 | 09 | 1,5-4                | 10 |
| 679332/1 | 2P+T(E)   | 32   | 50/60 | 250     | 67 | 09 | 2,5-10               | 10 |
| 679432/1 | 3P+T(E)   | 32   | 50/60 | 415     | 67 | 09 | 2,5-10               | 10 |
| 679532/1 | 3P+N+T(E) | 32   | 50/60 | 220/415 | 67 | 09 | 2,5-10               | 8  |
| 679363/5 | 2P+T(E)   | 63   | 50/60 | 250     | 67 | 09 | 6-25                 | 2  |
| 679463/5 | 3P+T(E)   | 63   | 50/60 | 415     | 67 | 09 | 6-25                 | 2  |
| 679563/5 | 3P+N+T(E) | 63   | 50/60 | 220/415 | 67 | 09 | 6-25                 | 2  |



|          | a   | b   | c  | d  | e  | f  | g  | h  | i  | R  | r |
|----------|-----|-----|----|----|----|----|----|----|----|----|---|
| 679316/1 | 76  | 87  | 61 | 61 | 41 | 45 | 64 | 35 | 38 | 32 | 7 |
| 679416/1 | 76  | 87  | 61 | 61 | 42 | 46 | 64 | 35 | 38 | 32 | 7 |
| 679516/1 | 76  | 87  | 61 | 61 | 40 | 48 | 64 | 35 | 38 | 32 | 7 |
| 679332/1 | 76  | 87  | 61 | 61 | 53 | 50 | 64 | 35 | 38 | 32 | 7 |
| 679432/1 | 76  | 87  | 61 | 61 | 53 | 50 | 64 | 35 | 38 | 32 | 7 |
| 679532/1 | 80  | 90  | 65 | 70 | 52 | 53 | 70 | 38 | 41 | 35 | 7 |
| 679363/5 | 100 | 110 | 80 | 85 | 67 | 78 | 81 | 43 | 46 | 41 | 9 |
| 679463/5 | 100 | 110 | 80 | 85 | 67 | 78 | 81 | 43 | 46 | 41 | 9 |
| 679563/5 | 100 | 110 | 80 | 85 | 67 | 78 | 81 | 43 | 46 | 41 | 9 |

