

## PRODUCT DATA SHEET

---

Part number 169306

---

EAN 4015609125715

Manufacturer WALTHER-WERKE

WEEE-Reg.-Number: DE 22131895

### Product description

---

Waterproof wall socket for internal fixing 63A 3P 6h with top cable entry and two knock-out bottom cable entries, rotatable base



Product Image

### Detailed product description

---

WALTHER Wall socket 63A 3P 230V 6h IP67  
 made from PA6 material  
 for internal fixing  
 one open top cable entry  
 and two knock-out bottom cable entries  
 base rotatable by 180 degrees




### Ordering Information

---

Order unit	Piece
Customs number	85366990
Net weight	1,11 kg
Packing quantity (VPE)	2
Length of the packaging	
Width of the packaging	
Depth of the packaging	
Gross weight(VPE)	2,22 kg

### Certificates

---

VDE certification	40000707	
CQC certification	2004010203136930	
EAC certification	BY112.02.01.020 06089	

## Classification system

---

Classification system	ETIM_6.0
ETIM Class	EC001321

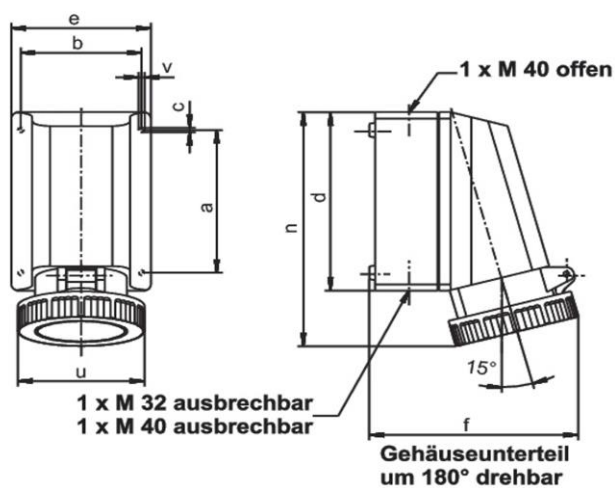
## Technical product data

---

Model	Surface mounted (plaster)
IEC-amperage	63 A
Amperage acc. UL/CSA (for UL-version)	60 A
Number of poles	3
Voltage acc. EN 60309-2	230 V (50+60 Hz) blue
Clock hour position	6 h
Identification colour	Blue
RAL-number	5002
Degree of protection (IP)	IP67
Connection system	Screwed terminal
Material	Plastic
Type of fastening	Inner lying mounting
Insulated mounting	True

## Dimension sheet

---



Amp.	63		
Pole	3	4	5
a	136	136	136
b	104	104	104
c	4,2	4,2	4,2
d	172	172	172
e	121	121	121
f	178	178	178
n	224	224	224
v	5	5	5