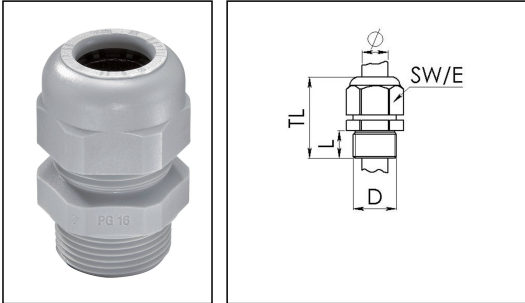


## SKV 29 SG

Cable gland, polyamide, Pg 29 RAL 7001



Products may differ in size, colour and appearance to those shown. If you require further information or customisation, please contact us directly.



<b>Material cable gland</b>	Polyamide
<b>Material sealing gasket</b>	EPDM
<b>Protection class</b>	IP68 (5 bar 30 min)
<b>Temp. range min</b>	-40 °C
<b>Temp. range max</b>	100 °C
<b>Glow wire test</b>	750 °C
<b>Thread type</b>	PG
<b>Ø Connection thread D</b>	29
<b>Length screw-in thread L</b>	12 mm
<b>Ø cable diameter min</b>	16 mm
<b>Ø cable diameter max</b>	25 mm
<b>Key width SW</b>	42 mm
<b>Collar diameter (E)</b>	46 mm
<b>Total length TL</b>	47 mm - 56 mm
<b>Type of cable anchorage</b>	A
<b>Product Color</b>	RAL 7001
<b>Type</b>	SKV 29 SG
<b>Order no. RAL 7001</b>	10066007
<b>Packing unit</b>	20
<b>EAN number</b>	4007685660075
<b>Tariff number</b>	39269097
<b>ETIM-Classification</b>	EC000441

Your Contact:

**WISKA Hoppmann GmbH**

Kisdorfer Weg 28 · 24568 Kaltenkirchen · Germany

☎ +49-4191-508-0 · 📠 +49-4191-508-209

contact@wiska.de · www.wiska.com

**Recommended accessories**



<b>ADR 29</b>	10061425
<b>BS 25</b>	10064015

14.02.2024

Your Contact:

**WISKA Hoppmann GmbH**

Kisdorfer Weg 28 · 24568 Kaltenkirchen · Germany

 +49-4191-508-0 ·  +49-4191-508-209

[contact@wiska.de](mailto:contact@wiska.de) · [www.wiska.com](http://www.wiska.com)



Your Contact:

**WISKA Hoppmann GmbH**

Kisdorfer Weg 28 · 24568 Kaltenkirchen · Germany

☎ +49-4191-508-0 · 📠 +49-4191-508-209

contact@wiska.de · www.wiska.com