

PRODUCT DATA SHEET

Part number 261306SW

EAN 4015609425662

Manufacturer WALTHER-WERKE

WEEE-Reg.-Nr: DE 22131895

Product description

Plug 63A 3P 6h with cable gland for lighting and stage technology



Product Image

Detailed product description

WALTHER Plug 63A 3P 230V 6h IP44

made from PA6 material

colour: black

with screw terminal

with cable gland

and pilot contact

for lighting and stage technology

Ordering information

order unit	Piece
customs number	85366990
net weight	0.475 kg
packing quantity (VPE)	5
length of the packaging	0.31 m
width of the packaging	0.255 m
depth of the packaging	0.15 m
gross weight(VPE)	2.571 kg

Conformities

CE conformity	√
RoHS directive	2011/65/EU
RoHS directive	2015/863/EU
REACH regulation	1907/2006

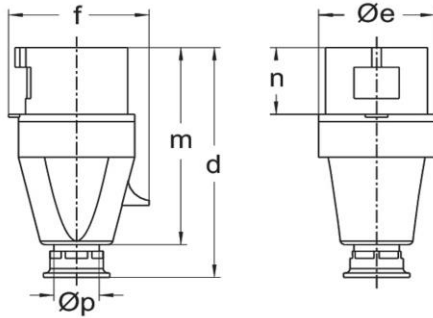
Classification system

classification system	ETIM_7.0
ETIM Class	EC000140

Technical product data

IEC-amperage	63 A
Amperage according to UL/CSA (for UL-version)	60 A
Number of poles	3
Voltage according to EN 60309-2	230 V (50+60Hz) blue
Clock hour position	6 h
Identification colour	Blue
Conductor cross-section	6 - 16 mm ²
Cable diameter	18 - 34.5 mm
Cable strip length	60 mm +/- 2.5 mm
Cable ferrules length	12 mm +/- 1 mm
Maximum torque terminal screw	2 Nm
Maximum torque back shell	2.5 Nm
Maximum torque cable gland	4 Nm
Maximum torque strain relief	3 Nm
Degree of protection (IP)	IP44
Connection system	Screwed terminal
Contact material	Brass standard
Cable entry	Swivel
Angle of plug	Straight
Material	Plastic
Inflammability class of insulation material according to with UL94	V2

Dimension sheet



Amp.	16			32			63		
Pole	3	4	5	3	4	5	3	4	5
d	123	131	131	155	155	155	240	240	240
Øe	51	65	65	73	73	73	81	81	81
f	60	68	75	79	79	88	97	97	97
m	118	112	112	133	133	133	192	192	192
n	37	37	37	46	46	46	67	67	67
Øp	7,5-14,5	7,5-14,5	7,5-14,5	10-19,5	10-19,5	10-19,5	18-34,5	18-34,5	18-34,5