

INSTALLATION GUIDE

Nine Pendant

Thoughtful lighting, responsibly designed in London.

Thank you for making the switch to Tala.

Discover the full Tala family at tala.co.uk

BEFORE STARTING

We recommend the installation of our canopy and pendants is performed by a qualified electrician. Please read the instructions thoroughly before commencing work and keep them for future reference. Please take extreme care when carrying out these instructions.

IMPORTANT

This light fitting must be connected to the earth supply. If your lighting circuit does not have an earth, ask a qualified electrician to provide an earth facility. This light fitting is suitable for indoor use only. This fitting operates on 240V mains voltage. For a list of recommended dimmers to pair with this light fitting, please visit our website.

WARNING

You must switch off electricity supply at the mains during installation and maintenance. We strongly recommend that you withdraw the fuse or switch off the circuit breaker whilst work is in progress. Do not only turn off the wall switch. All fittings must be installed in accordance with current Building Regulations and IEE Wiring Regulations.

RECOMMENDED EQUIPMENT

- Small Flat-head and Phillips-head screwdriver
- Wire strippers
- Insulation tape

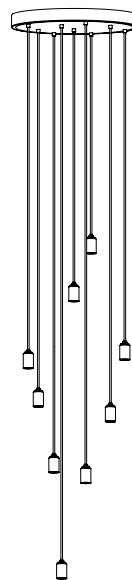
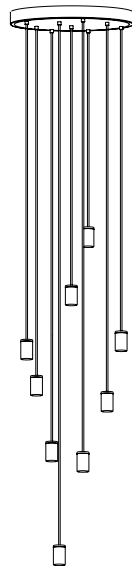
Further equipment may be required for fixing to your ceiling.

SKU - CP-WHT-LRG-OP-01-EU

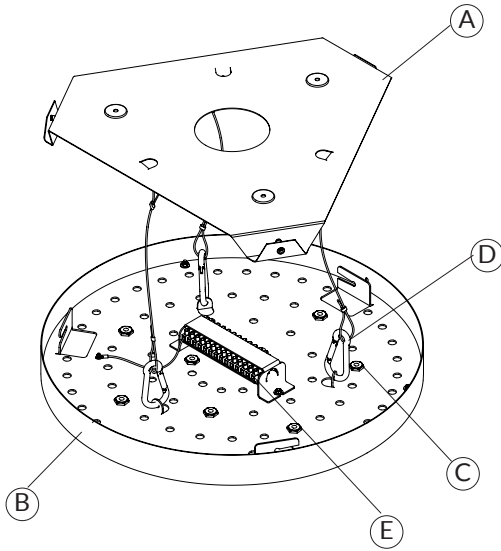
SKU - CP-WHT-LRG-VP-01-EU

SKU - CP-WHT-LRG-BP-01-EU

SKU - CP-BLK-LRG-GP-01-EU



NINE PENDANT - PROVIDED COMPONENTS



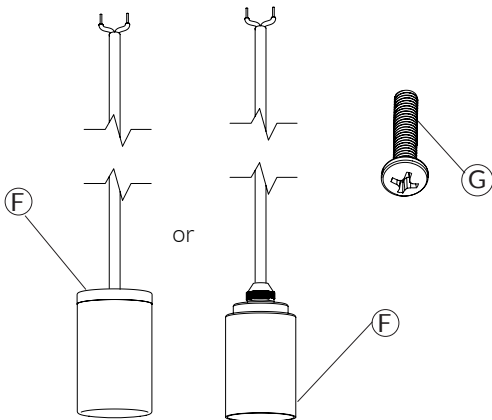
(A) x1 Ceiling Bracket

(B) x1 Ceiling plate

(C) x9 Cord grips

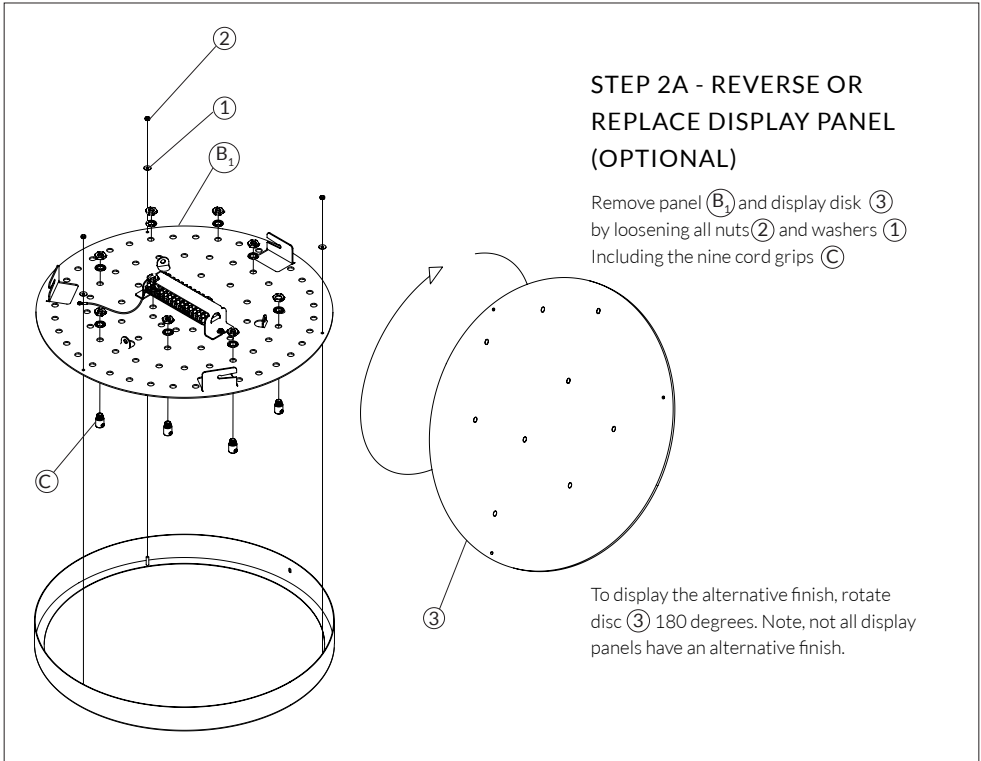
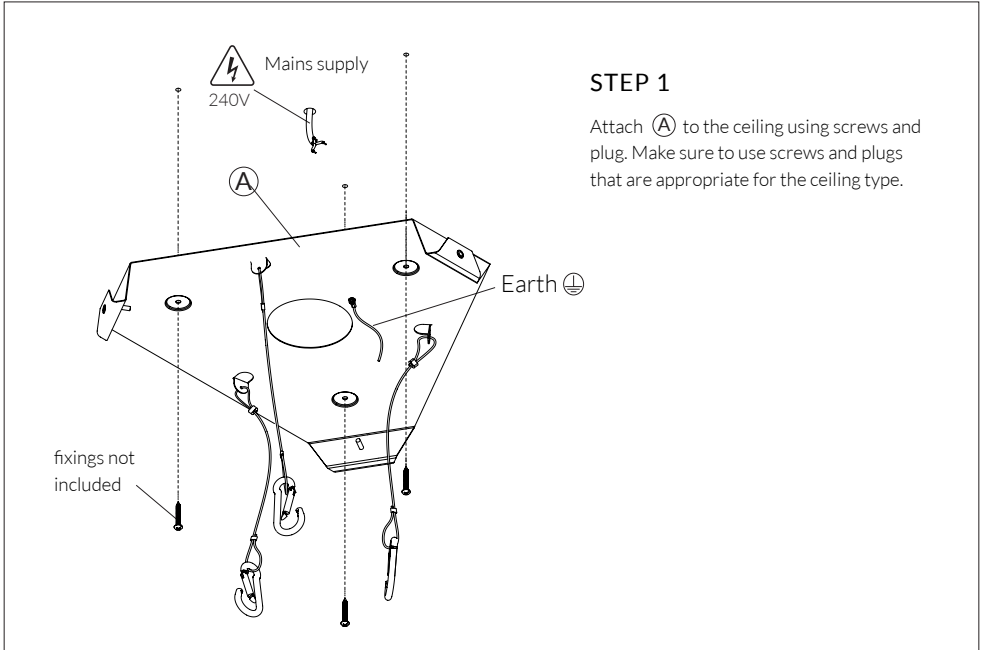
(D) x3 Safety teathers and clips

(E) x1 Junction box



(F) x9 Tala pendants
*Oak, Walnut,
Brass or Graphite*

(G) x1 M4 20MM bolt

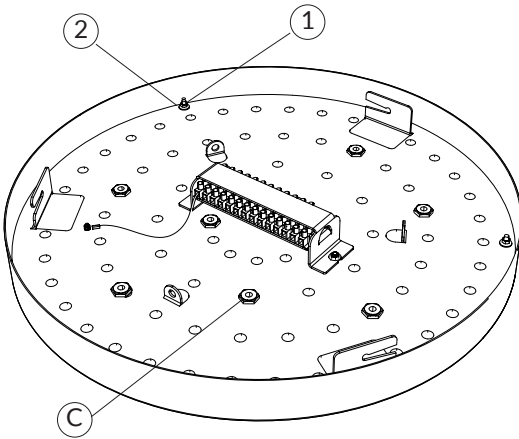


STEP 2B

Re-assemble the plate in the same order and fasten it securely with nuts ① and washers ②

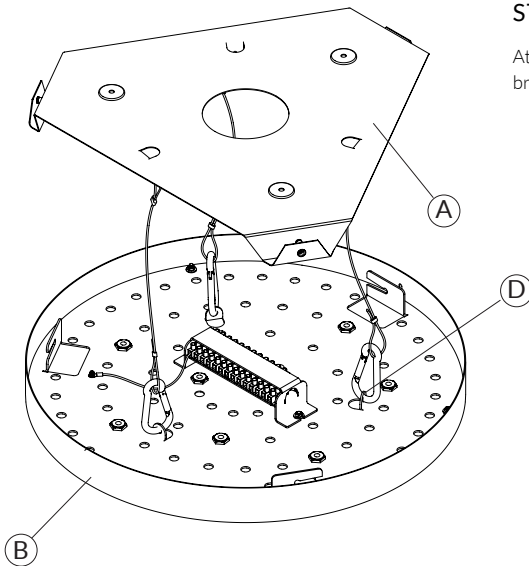
Replace the Cord grips ③ and secure with the nuts and washers.

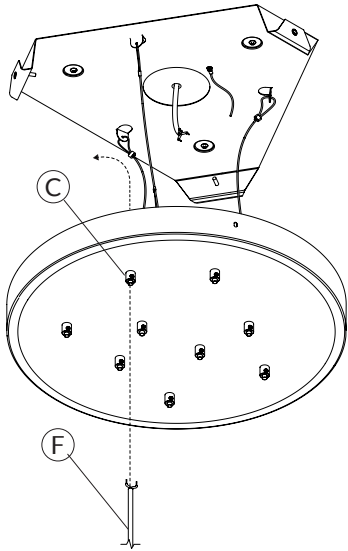
Tighten all firmly with a spanner/wrench



STEP 3

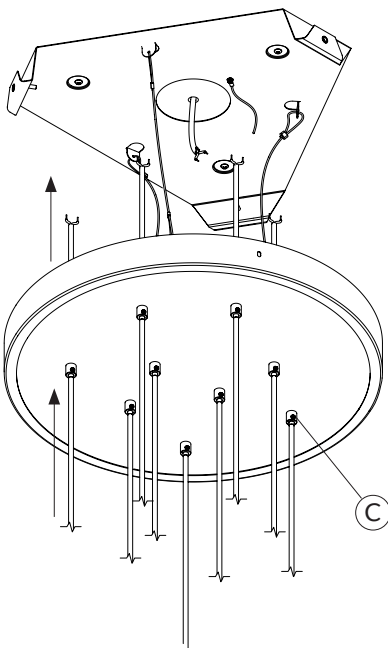
Attach ceiling plate ④ to ceiling bracket ⑤ using safety tether clips ⑥





STEP 4

Thread all nine pendant cables (F) through ceiling plate cord grips (C)



STEP 5

Pull cables through to your desired length. See end of this guide for our recommended lengths and distance between bulbs.

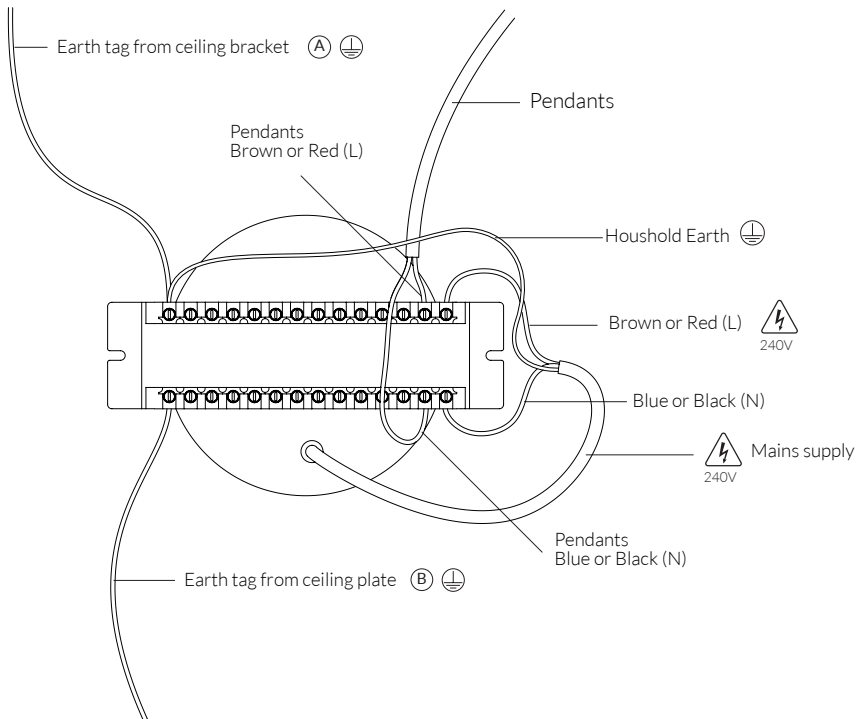
Using a flat head screwdriver, tighten set screws (C) to secure them.

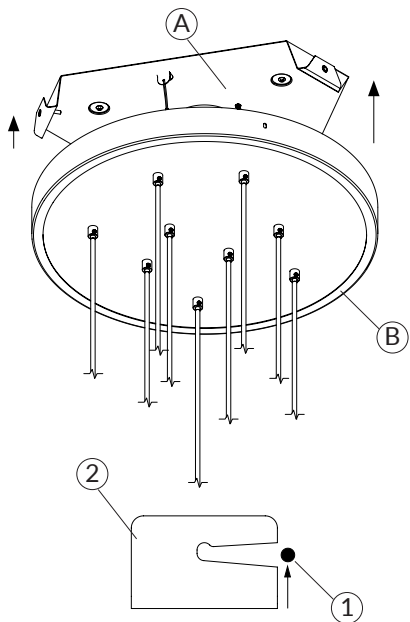
STEP 6

Cut off excess cable and strip wires to expose the copper core. Maintain all double insulation.

STEP 7

Connect the pendants, plate and mains wiring as shown.

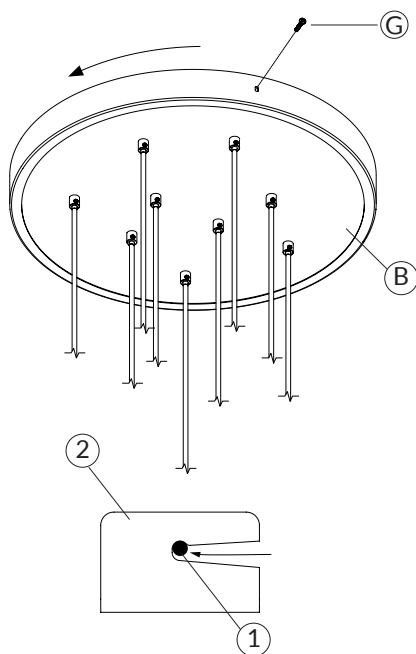




STEP 8

Lift (B) to sit flush with (A)

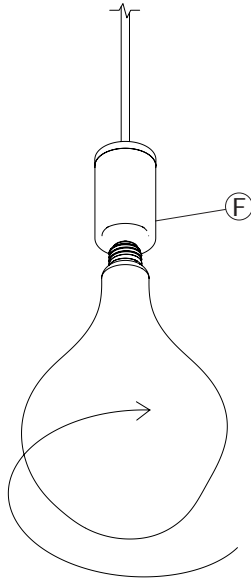
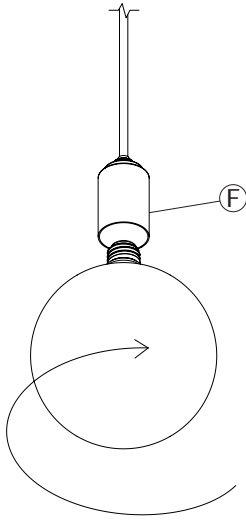
Make sure the pins (1) are located at the opening of the bayonet fitting (2)



STEP 9

Rotate plate (B) anti-clockwise until the pin is locked into the (1) bayonet mechanism (2)

Secure plate (B) in place using bolt (G)



STEP 10

Insert bulbs into pendants (F) and screw clockwise

PENDANTS DISPLAY GUIDE

MINIMUM CORD LENGTH (A)

For all bulbs shortest recommended cord length is **350mm**

DISTANCE BETWEEN PENDANTS (B)

Recommended minimum distance between pendant, dependant on bulb style, are as follows:

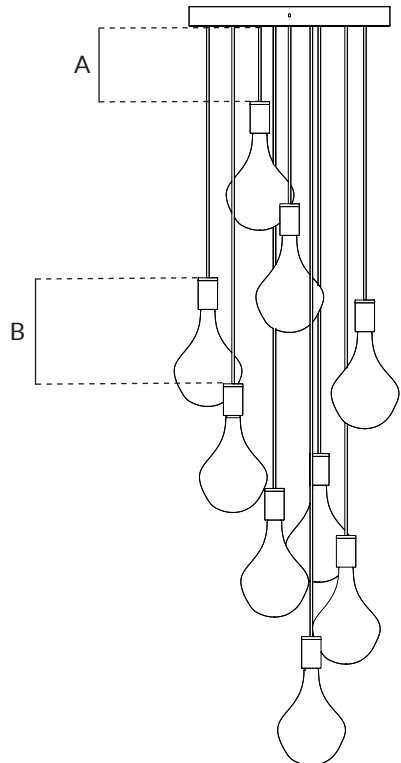
Voronoi I - **150mm**

Voronoi II - **200mm**

Voronoi III - **350mm**

Basalt - **100mm**

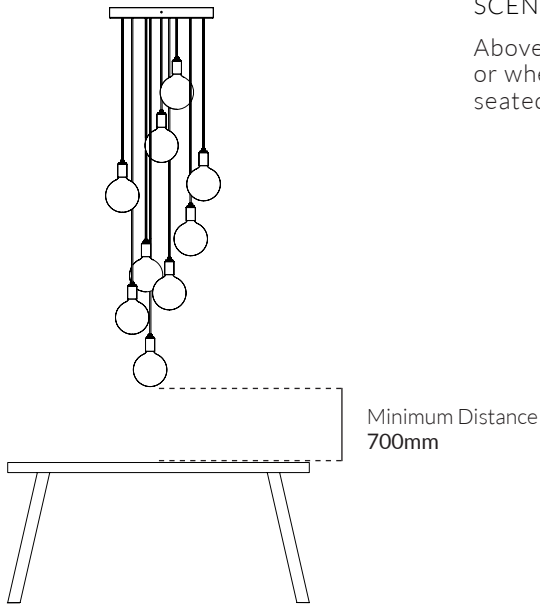
All other bulbs - **100mm**



PENDANTS - RECOMMENDED CABLE LENGTHS

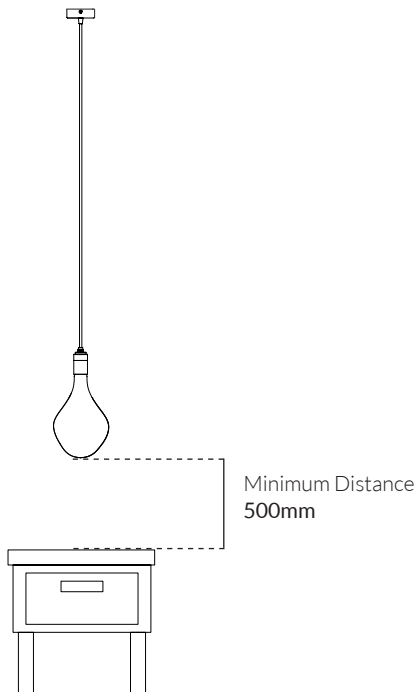
SCENARIO 1

Above a coffee or dining table, or where height is required for seated tasks



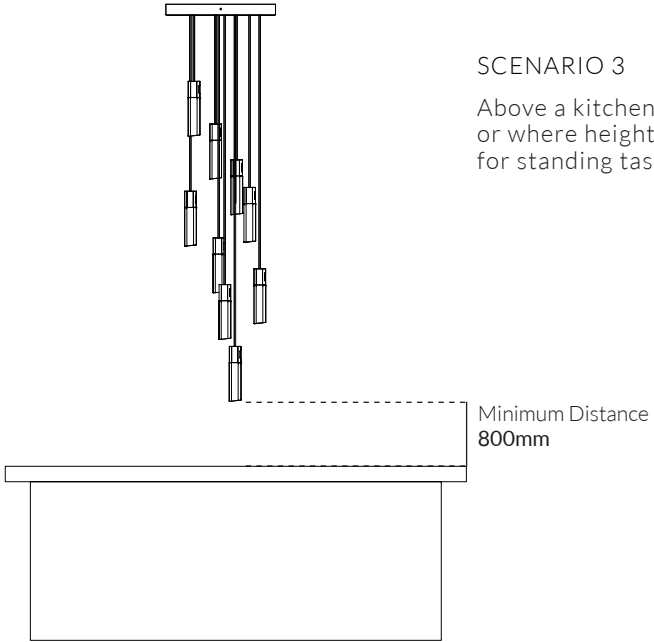
SCENARIO 2

Above side tables, or where height is required for storage



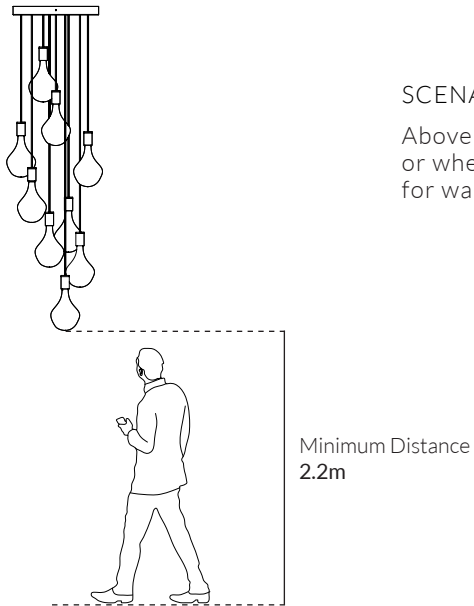
SCENARIO 3

Above a kitchen island or bar,
or where height is required
for standing tasks



SCENARIO 4

Above a stairwell or walkway,
or where height is required
for walking underneath



CARE AND CLEANING

We recommend cleaning with a soft dry cloth. Do not use abrasive materials as these will damage the finish of the product. Do not expose any part of the bulb or pendant to water or moisture.

WARRANTY AND AFTER-CARE

This product is covered by a three year warranty. Within this time, we will replace any parts that show functional defects or malfunctions.

Please report any signs of fault or damage to our Customer Service team, along with supporting visual evidence, by emailing: customerservice@tala.co.uk.

Join the Community

Instagram: @tala | Facebook: talaHQ | Pinterest: TalaLED | Tag: lighttoliveby
Tala Studios, 25B Vyner Street, London E2 9DG | +44 20 3026 3246 | hello@tala.co.uk