

PRODUCT DATA SHEET

Part number 179306

EAN 4015609011650

Manufacturer WALTHER-WERKE

WEEE-Reg.-Number: DE 22131895

Product description

Waterproof wall socket for internal fixing 125A 3P 6h with two cable entries both top and bottom and terminal set



Product image




Detailed product description

WALTHER Wall socket 125A 3P 230V 6h IP67
 made from PA6 material
 multi-contact = higher contact pressure – light pull-off force
 for internal fixing
 two top cable entries: M50/M20
 and two bottom cable entries: M40
 with terminal set 3x50 qmm

Ordering Information

| Order unit | Piece |
|-------------------------|----------|
| Customs number | 85366990 |
| Net weight | 3 kg |
| Packing quantity (VPE) | 1 |
| Length of the packaging | 0,408 m |
| Width of the packaging | 0,244 m |
| Depth of the packaging | 0,186 m |
| Gross weight(VPE) | 3,29 kg |

Certificates

| | | |
|-------------------|-----------------------|---|
| VDE certification | 123029 |  |
| CQC certification | 2004010203136920 |  |
| EAC certification | BY112.02.01.020 06089 |  |

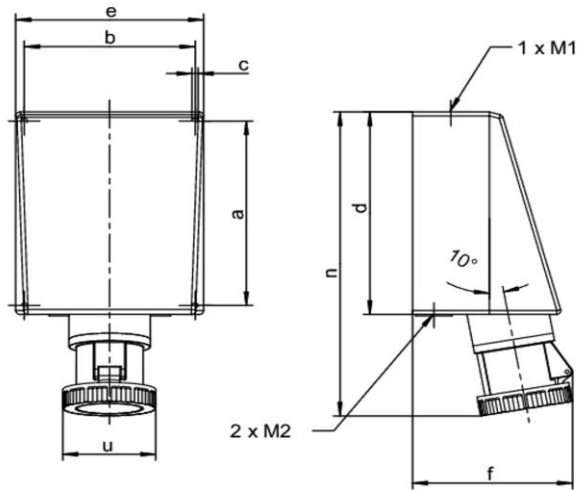
Classification system

| | |
|-----------------------|----------|
| Classification system | ETIM_6.0 |
| ETIM Class | EC001321 |

Technical product data

| | |
|---------------------------------------|---------------------------|
| Model | Surface mounted (plaster) |
| IEC-amperage | 125 A |
| Amperage acc. UL/CSA (for UL-version) | 100 A |
| Number of poles | 3 |
| Voltage acc. EN 60309-2 | 230 V (50+60 Hz) blue |
| Clock hour position | 6 h |
| Identification colour | Blue |
| RAL-number | 5002 |
| Degree of protection (IP) | IP67 |
| Connection system | Screwed terminal |
| Material | Plastic |
| Type of fastening | Inner lying mounting |
| Insulated mounting | True |

Dimension sheet



| Amp. | 125 | | |
|------|-------|-------|-------|
| Pole | 3 | 4 | 5 |
| a | 240 | 240 | 240 |
| b | 200 | 200 | 200 |
| c | 7 | 7 | 7 |
| d | 263 | 263 | 263 |
| e | 220 | 220 | 220 |
| f | 190 | 190 | 190 |
| n | 406 | 406 | 406 |
| u | 130 | 130 | 130 |
| M 1 | 20/50 | 20/50 | 20/50 |
| M 2 | 40 | 40 | 40 |