

PRODUCT DATA SHEET

Part number 210509

EAN 4015609012213

Manufacturer WALTHER-WERKE

WEEE-Reg.-Nr: DE 22131895

Product description

Plug 16A 5P 9h with external cable gland



Product Image

Detailed product description

WALTHER Plug 16A 5P 230V 9h IP44

made from PA6 material

with screw terminal

and external cable gland

Increased safety due to injected 2K seal and two contact screws.





Ordering information

| | |
|-------------------------|-----------|
| order unit | Piece |
| customs number | 85366990 |
| net weight | 0.2107 kg |
| packing quantity (VPE) | 10 |
| length of the packaging | 0.31 m |
| width of the packaging | 0.163 m |
| depth of the packaging | 0.113 m |
| gross weight(VPE) | 2.219 kg |

Conformities

| | |
|------------------|-------------|
| CE conformity | √ |
| RoHS directive | 2011/65/EU |
| RoHS directive | 2015/863/EU |
| REACH regulation | 1907/2006 |

Certification

| | | |
|------------------------|-----------------------|---|
| VDE/ENEC certification | 40024787 |  |
| UL certification | No. E329476 |  |
| UL certification | No. E188992 |  |
| EAC certification | BY112.02.01.020 06090 |  |

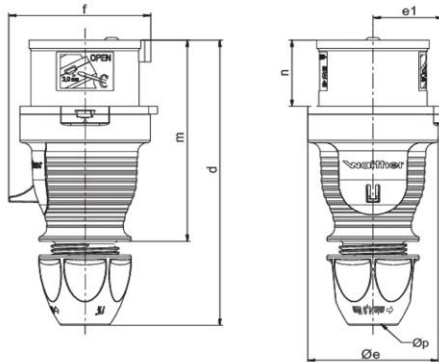
Classification system

| | |
|-----------------------|----------|
| classification system | ETIM_7.0 |
| ETIM Class | EC000140 |

Technical product data

| | |
|--|-------------------------|
| IEC-amperage | 16 A |
| Amperage according to UL/CSA (for UL-version) | 20 A |
| Number of poles | 5 |
| Voltage according to EN 60309-2 | 230 V (50+60Hz) blue |
| Clock hour position | 9 h |
| Identification colour | Blue |
| Conductor cross-section | 1 - 2.5 mm ² |
| Cable diameter | 7.5 - 18.5 mm |
| Cable strip length | 35 mm +/- 2.5 mm |
| Cable ferrules length | 10 mm +/- 1 mm |
| Maximum torque terminal screw | 0.8 Nm |
| Maximum torque cable gland | 4 Nm |
| Degree of protection (IP) | IP44 |
| Connection system | Screwed terminal |
| Contact material | Brass standard |
| Cable entry | Swivel |
| Angle of plug | Straight |
| Material | Plastic |
| Inflammability class of insulation material according to with UL94 | V2 |

Dimension sheet



| Amp. | 16 | 16 | 32 | 32 | 32 |
|------|------------|----------|-----------|-----------|-----------|
| Pole | 4 | 5 | 3 | 4 | 5 |
| d | 150-161 | 150-161 | 173-185 | 173-185 | 174-183 |
| Øe | 65 | 65 | 72 | 72 | 72 |
| e1 | 35 | 35 | 38,5 | 38,5 | 38,5 |
| f | 63 | 71 | 75 | 75 | 83 |
| m | 111 | 111 | 128 | 128 | 128 |
| n | 37 | 37 | 45,5 | 45,5 | 45,5 |
| Øp | 7,5 - 18,5 | 7,5-18,5 | 10 - 22,5 | 10 - 22,5 | 10 - 22,5 |