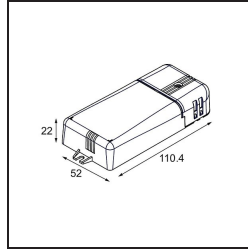
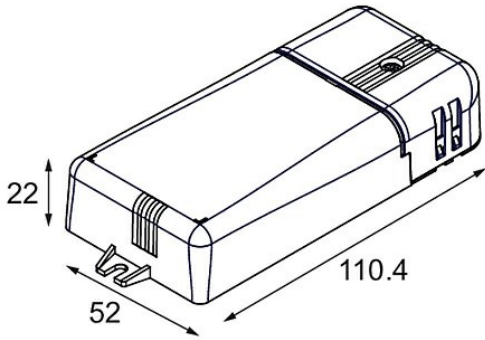


Date _____
Customer _____
Project _____
Type _____

LED driver 250-700mA 10-20W dali AM



Specifications

Material	12407930
Lamp Included	No
Number of Light Sources	0
Input Voltage	230V
Electrical Class	II
IP Rating	20
Glow wire rating (°C)	960
Dimming Protocol	DALI
Indoor/Outdoor	Indoor
Adjustability	Not Applicable
Gross weight (g)	108.0