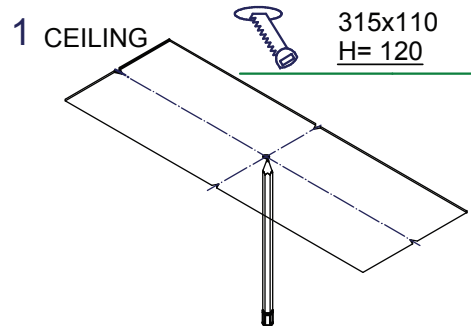
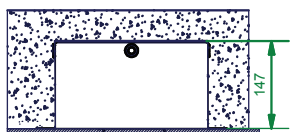
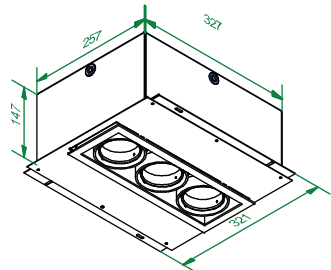


# Mini multiple for 3x LED GE

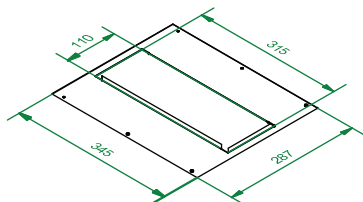
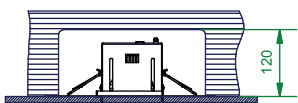
131302XX



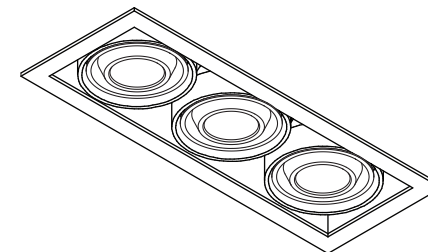
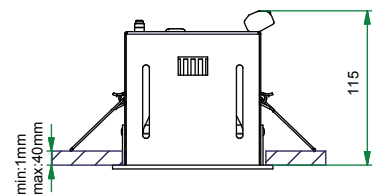
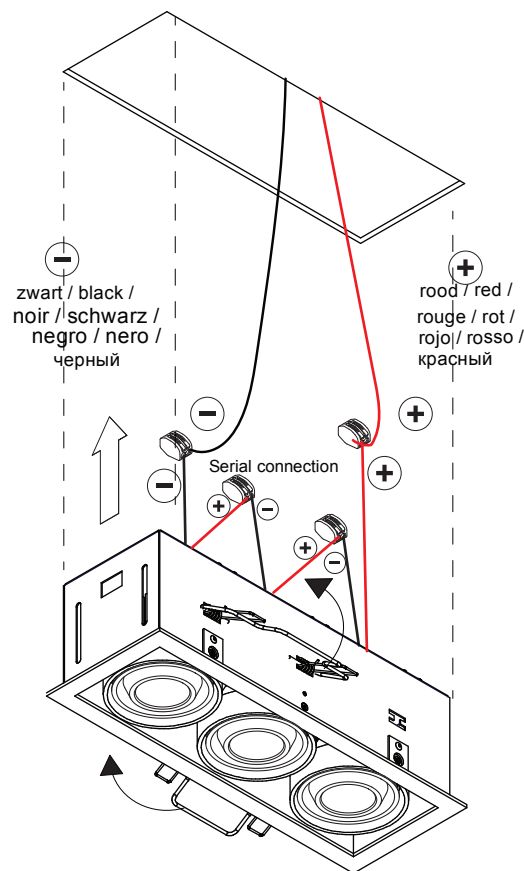
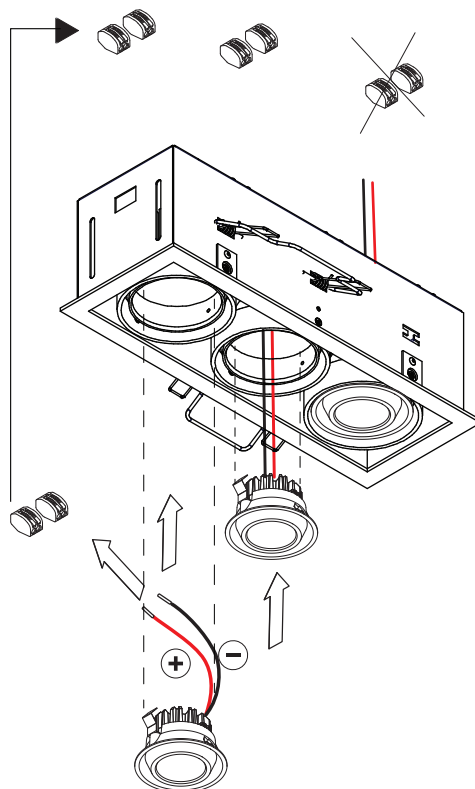
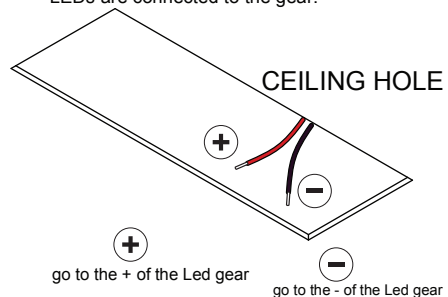
Conbox has to combined with gypkit !!!  
10400330+10420330



Gypkit :10420330 Mini-multiple 3Lx gypkit



Don't connect the gear to 230V before the LEDs are connected to the gear!



- 14070002 M LED MOD 70 2,7KS GE BI
- 14070009 M LED MOD 70 2,7KS GE WhStr
- 14070102 M LED MOD 70 2,7KM GE BI
- 14070109 M LED MOD 70 2,7KM GE WhStr
- 14070202 M LED MOD 70 2,7KF GE BI
- 14070209 M LED MOD 70 2,7KF GE WhStr
- 14070302 M LED MOD 70 3KS GE BI
- 14070309 M LED MOD 70 3KS GE WhStr
- 14070402 M LED MOD 70 3KM GE BI
- 14070409 M LED MOD 70 3KM GE WhStr
- 14070502 M LED MOD 70 3KF GE BI
- 14070509 M LED MOD 70 3KF GE WhStr
- 14070602 M LED MOD 70 4KS GE BI
- 14070609 M LED MOD 70 4KS GE WhStr
- 14070702 M LED MOD 70 4KM GE BI
- 14070709 M LED MOD 70 4KM GE WhStr
- 14070802 M LED MOD 70 4KF GE BI
- 14070809 M LED MOD 70 4KF GE WhStr

CAN BE USED WITH  
Drivers:  
see driver matrix - latest version on website  
[www.supermodular.com](http://www.supermodular.com) or check sales contact

